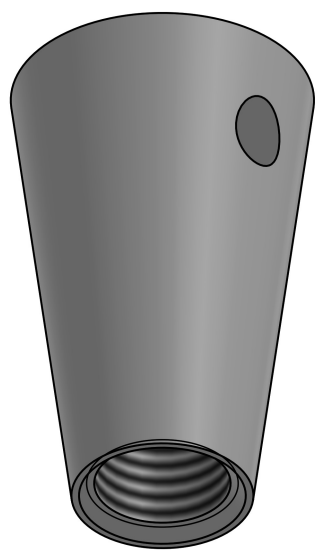
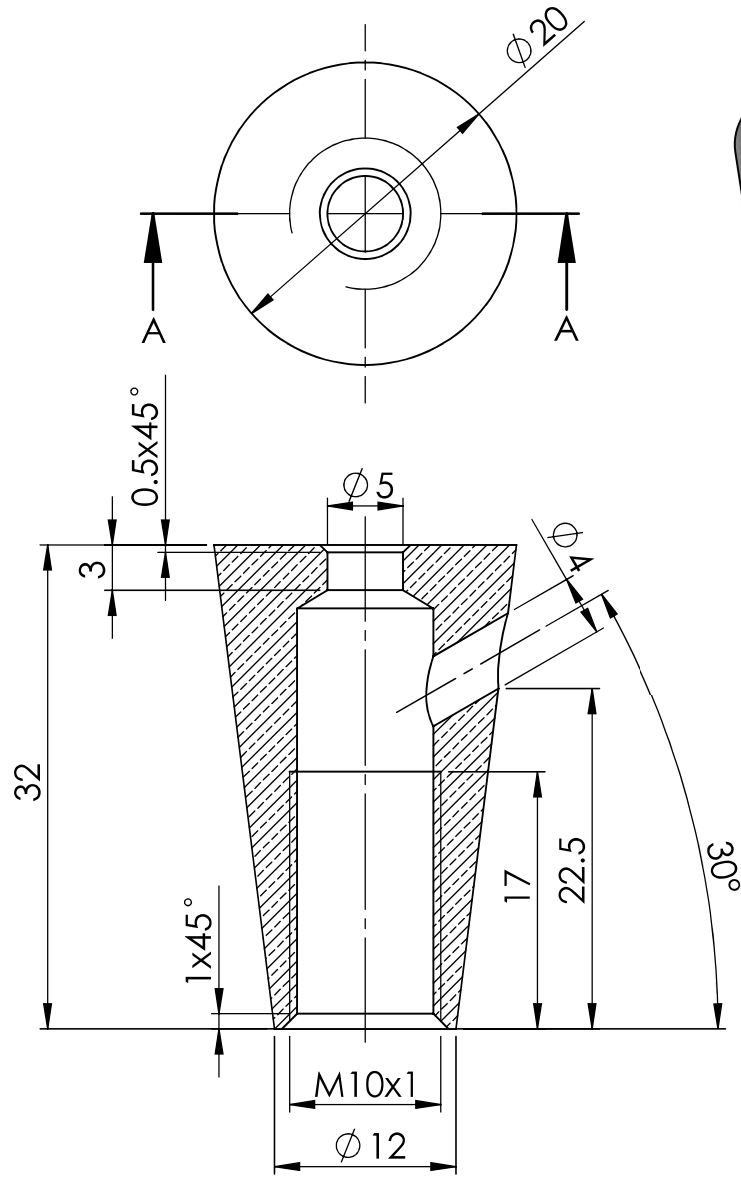


GENERAL NOTES	S.NO.	REV.	DATE	DESCRIPTION
1. ALL DIMENSIONS ARE IN INCH 4.DRG. NOT TO BE SCALED				
2. REMOVE SHARP CORNERS 5.IF IN DOUBT PLEASE ASK				
3. AVOID RUST,DUST&SCRATCH				



SECTION A-A

PART NAME : COUPLER	REF. GPCB-279		DRN.	DATE
			CHKD.	DATE
MATERIAL : BRASS RoHS (NICKEL PLATED)	SCALE 2:1	START DATE 24.03.2021	APPD.	DATE
GENERAL TOLERANCE WHERE NOT SPECIFIED ±0.1			MKT.	DATE
		DRG. NO.	13-6144	