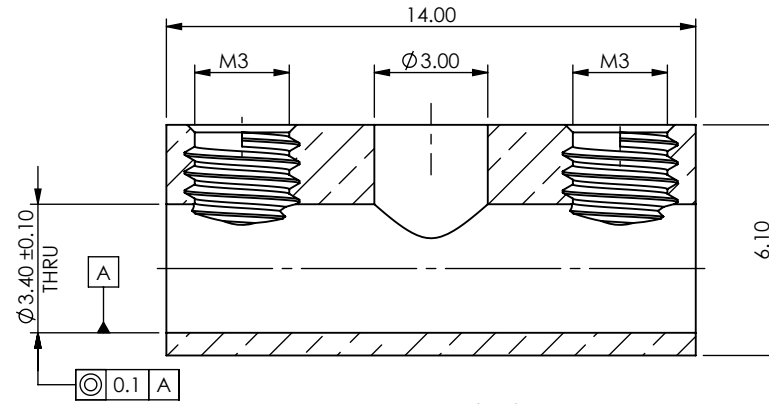
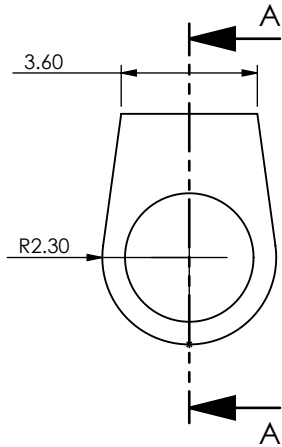
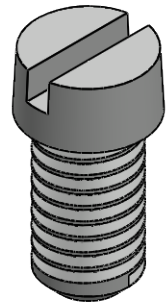
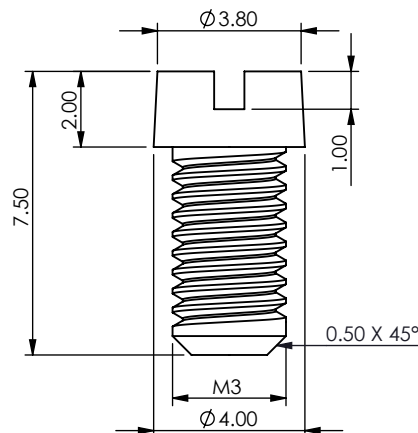
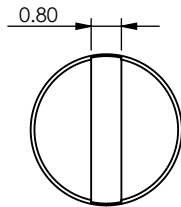
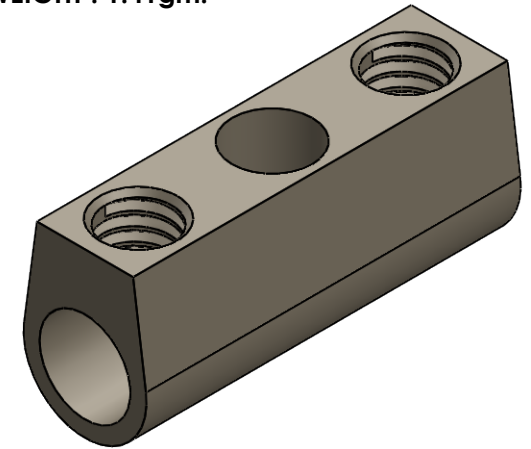


GENERAL NOTES	S.NO.	REV.	DATE	DESCRIPTION
1. ALL DIMENSIONS ARE IN MM 4.DRG. NOT TO BE SCALED				
2. REMOVE SHARP CORNERS 5.IF IN DOUBT PLEASE ASK				
3. AVOID RUST,DUST&SCRATCH				

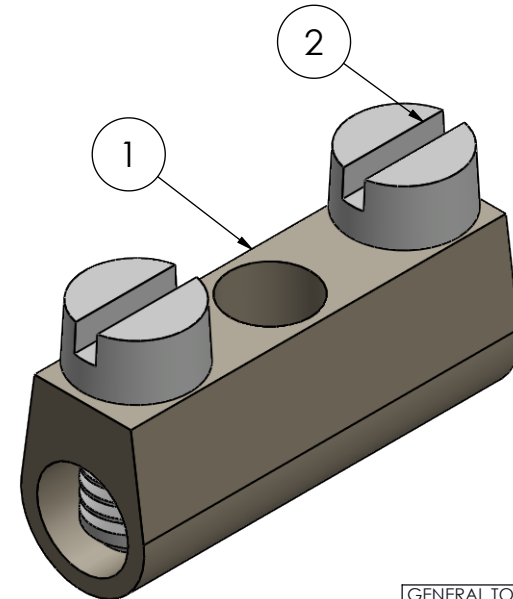
**ITEM : 1**  
**TERMINAL**  
**MATERIAL : ANNEALED BRASS (NICKEL PLATED)**  
**WEIGHT : 1.41gm.**



SECTION A-A



**ITEM : 2**  
**SCREW**  
**QTY : 2NOS**  
**MATERIAL : MS (WHITE ZINC PLATED)**  
**WEIGHT : 0.42gm.**



GENERAL TOLERANCE WHERE NOT SPECIFIED  
 LINEAR: 1 TO 6mm ±0.1  
 ABOVE 6mm ±0.2  
 ANGULAR: ±1°

PART NAME : <b>BRASS TERMINAL</b>	REF.NO: 12-3818	DRN.	DATE
MATERIAL : <b>AS ABOVE</b>		CHKD.	DATE
GENERAL TOLERANCE WHERE NOT SPECIFIED ±0.1	SCALE	APPD.	DATE
		MKT.	DATE
	DATE 15/03/2021	DRG. NO.	<b>13-6130</b>

NET WEIGHT (gm.) : AS ABOVE

REVISION NO. 00



ITEM CODE : 0788511