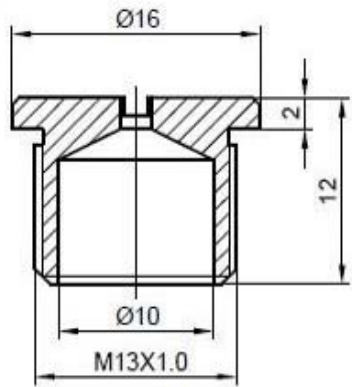
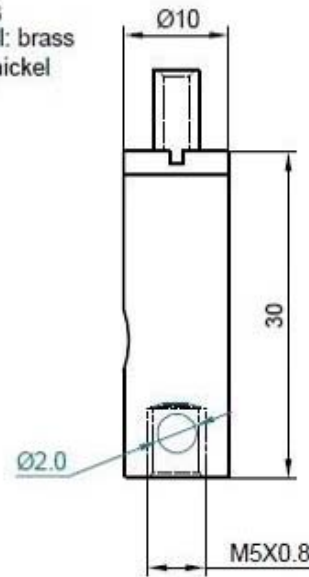


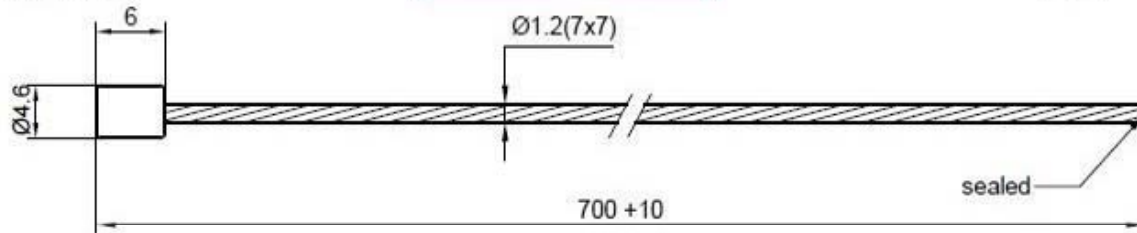
A
material: brass
finish: nickel



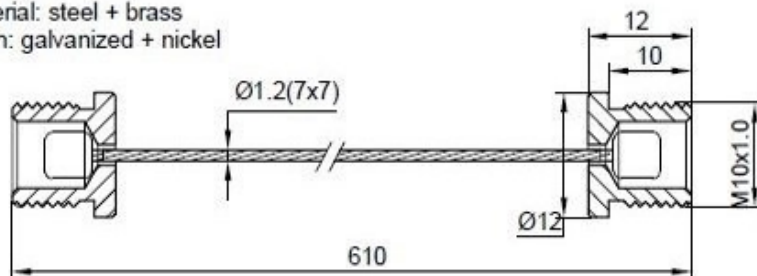
B
material: brass
finish: nickel



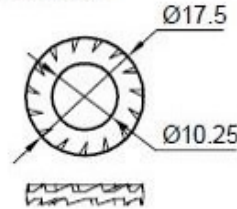
C
material: steel
finish: galvanized



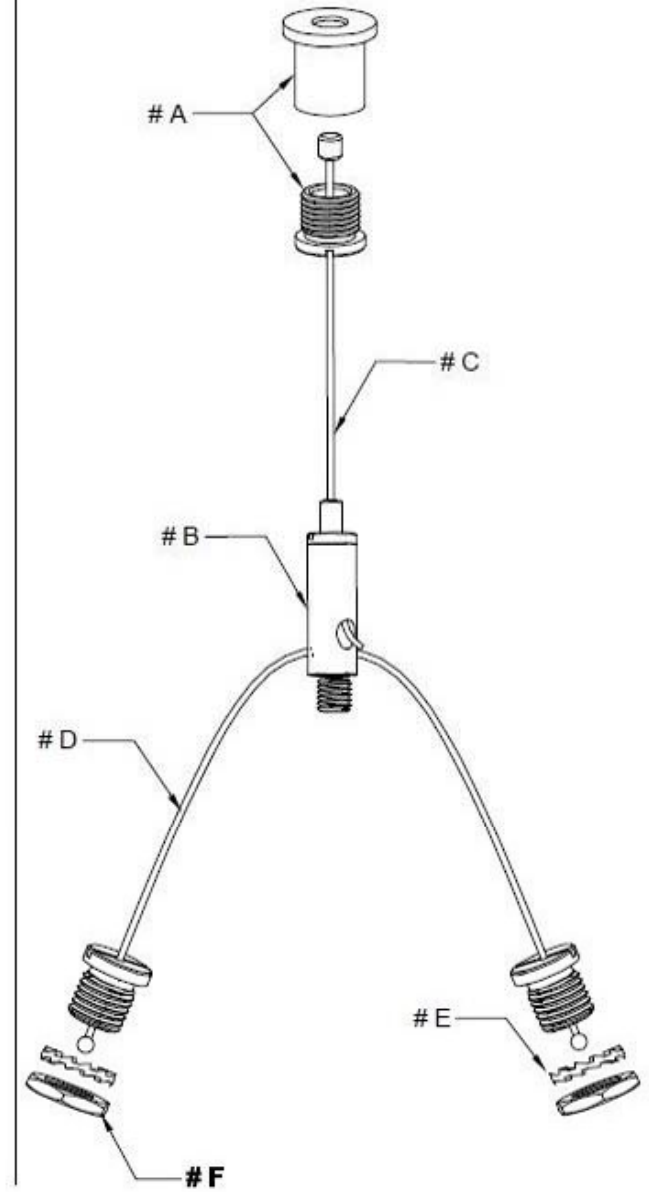
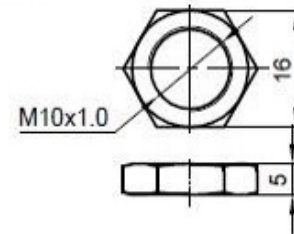
D
material: steel + brass
finish: galvanized + nickel



E
material: steel
finish: nickel



F
material: steel
finish: zinc



title:

item number:

Customer's Reference:

project reference: 07890601

created by:

auditor:

approved by:

material:

finish:

tolerance: ISO2768-M

scale: 1.5 : 1

dimension in mm

issue: A0

drawing code:

date: APR-22-2015