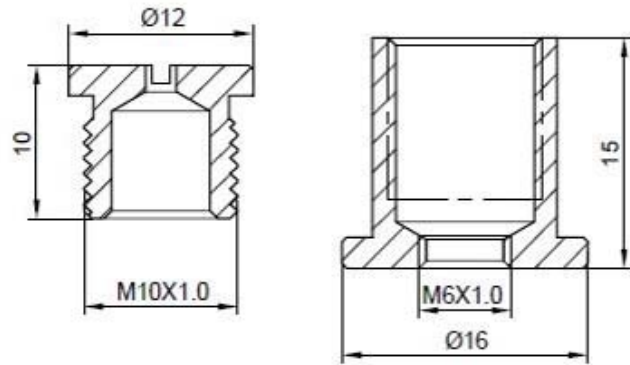
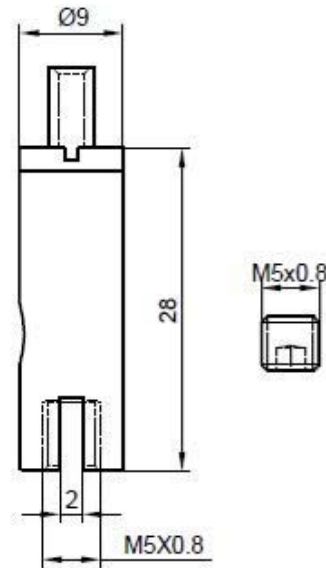


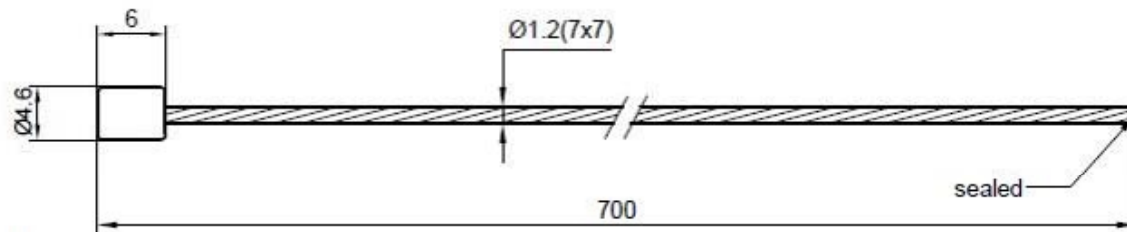
A
material: brass
finish: nickel



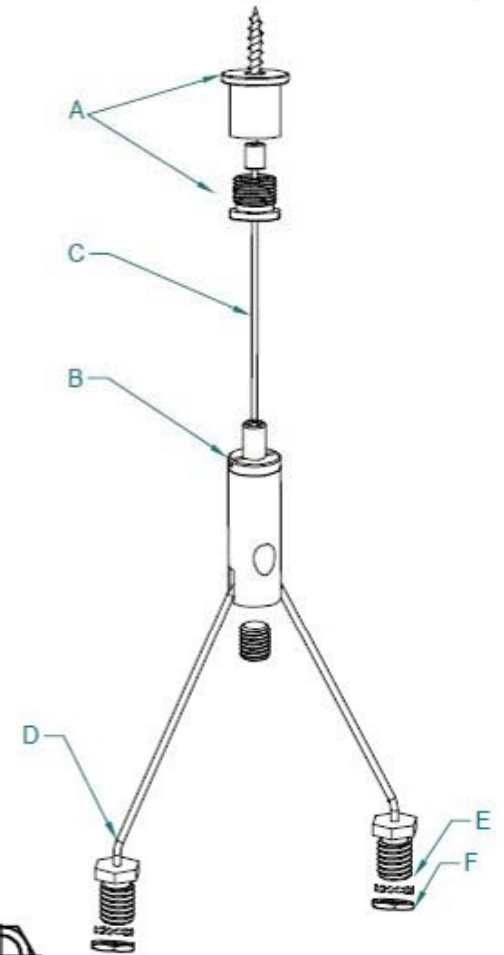
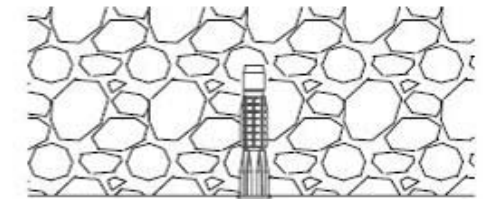
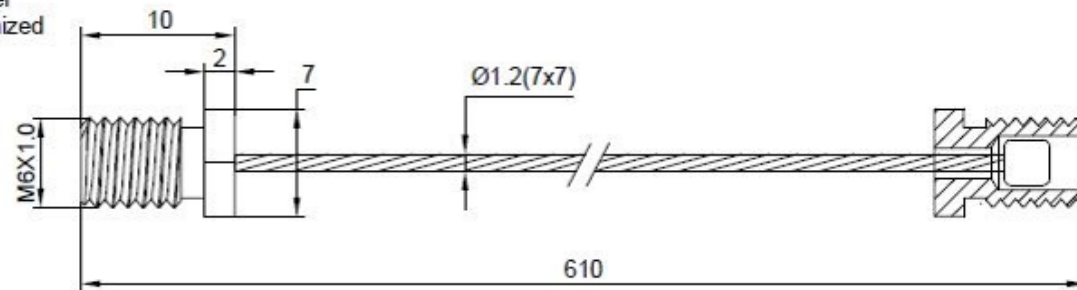
B
material: brass
finish: nickel



C
material: steel
finish: galvanized



D
material: steel
finish: galvanized



title:

item number:

created by:

tolerance: ISO2768-M

auditor:

scale: 1 : 1

Customer's Reference:

approved by:

dimension in mm

material:

issue: A0

project reference: 07890602

finish:

drawing code:

date: APR-22-2015



KOALA COMPONENTS, S.A.