

LED Driver 12V/24V **15/20W**



Product Feature:

- Constant voltage
- Protection type: overload/overvoltage
- Full protective plastic case
- Class 2 driver
- Suitable for indoor LED mirror
- 100% full load aging test
- 3year warranty



电气规格

p/n		AED15-12VIP44-3A-Q3	AED15-24VIP44-3A-Q3	AED20-12VIP44-3A-Q3	AED20-24VIP44-3A-Q3
output	Output Voltage/输出电压	12V	24V	12V	24V
	Voltage Accuracy/电压精度	±5%	±5%	±5%	±5%
	Output Current/输出电流	1.25A	0.625A	1.67A	0.83A
	Output rated power/额定功率	15W	15W	20W	20W
	Max.no Load Voltage/最大空载电压	14V	27V	14V	27V
	Load Regulation/负载调整率	±3%			
input	Voltage range/电压范围	198-264Vac			
	Frequency range/频率范围	47-63Hz			
	Power Factor/功率因数	≥0.8		≥0.85	
	Efficiency/效率 (Typ.)	82%	84%	82%	84%
	Input current/输入电流	600mA(Max)		630mA(Max)	
	Surge current/浪涌电流 (Max)	10A@230Vac满负载冷态			
	Leakage Current/漏电流	0.5mA			
	Line Regulation/线性调整率	±2%			
	Start up time/启动、上升时间 备注5	0.5s			
Heating film rated current/加热膜额定电流	0.5A@220-240Vac Max				
protect	Overload/过负载	If it is greater than 1.1-1.4 times of the rated output power, the output voltage of the product will decrease, and the abnormality will be removed and the product will return to normal			
	Short circuit protection/短路保护	Output short circuit is prohibited			
environment	Operating temperature/humidity /工作温度、湿度	-20℃~40℃/ 20%~90% RH			
	Storage Temperature/humidity /储存温度、湿度	-20℃~80℃/ 10%~95% RH			
	Vibration/耐振动	10~500Hz, 2G 10min/cycle, 60min for X, Y and Z axes respectively			
	Noise/噪声 (最大) 备注2	24DB			
Safety regulations and electromagnetic compatibility	Safety specification/安全规范 备注6	EN61347-1,EN61347-2-13 GB19510.1-2009,GB19510.14-2009			
	Withstand Voltage/耐压	I/P-O/P :3750Vac			
	Insulation Resistance/绝缘阻抗	I/P-O/P, 100Mohms/500Vdc/25℃/70%RH			
	Electromagnetic compatible emission/电磁兼容发射	EN55015 : 2019 EN61000-3-2/3 GB17625.1 GB17625.2			
	Electromagnetic compatibility immunity/电磁兼容抗扰度	EN 61547 EN61000-4-2, 3, 4, 5, 6, 11 GB/T17626.2, 3, 4, 5, 6, 11			
	Lifetime/寿命	30000H			
	Size/尺寸	228.2mm×126.2mm×18mm			
Packaging/包装	420×315×285mm-A=A-标准箱				
remarks	1. Unless otherwise specified, all specifications and parameters shall be measured under 230VAC, rated load and 25 °C ambient temperature.				
	2. Noise measurement method: test within the sound box at a distance of 300mm from the product.				
	3. Derating output is required under low input voltage. Please refer to the static characteristic curve for				

核准:

审核:

制作:

details.

4. The power supply is regarded as a component used together with the terminal equipment. Because EMC is affected by the whole set of devices, the terminal equipment manufacturer needs to re confirm EMC for the whole set of devices.

5. The starting time is measured under the cold start state, and continuous startup and shutdown may make the starting time longer.

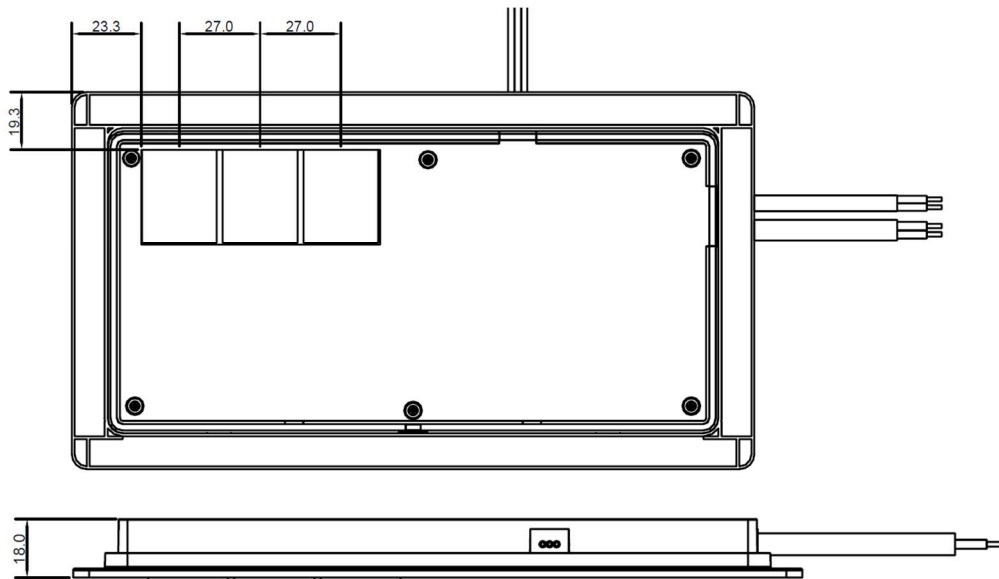
6. The model certified by CCC, CE and TUV (EN61347-1 EN61347-2-13) is optional. Please contact LETARON for details.

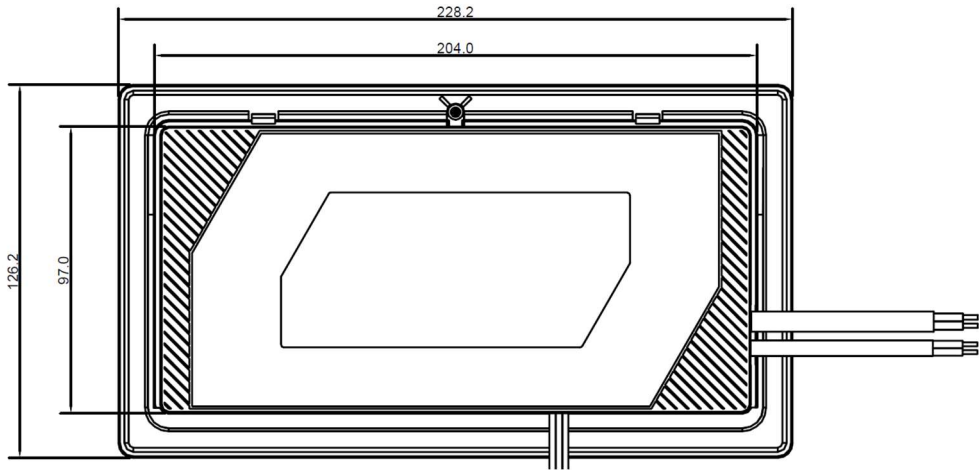
AED15/20-12/24VIP44-3A-Q3 15/20W电源

3A-Q3系列

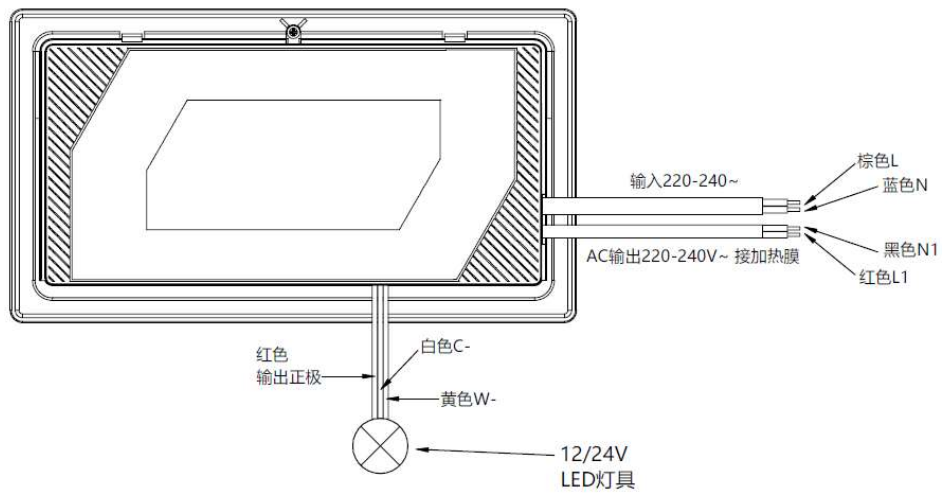
■ Mechanical drawings.

单位 : mm





※:接线图/Wiring diagram.



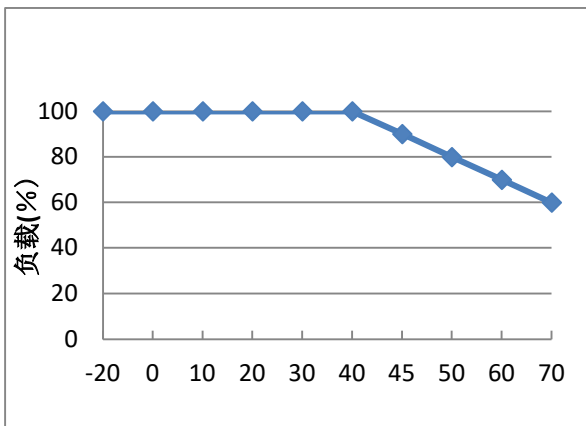
IETARON®

AED15/20-12/24VIP44-3A-Q3 15/20W电源

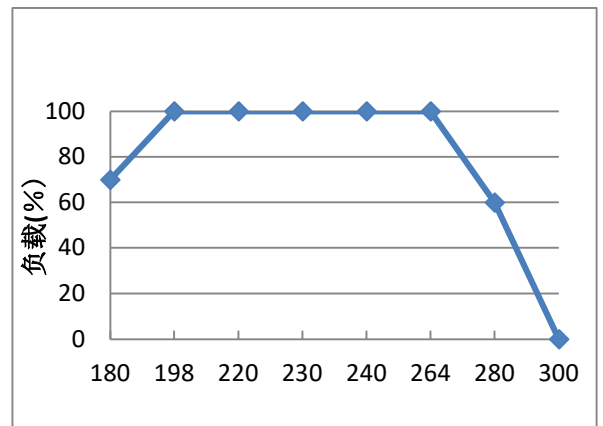
3A-Q3系列

■ 减额曲线/Deduction curve.

■ 负载与输出电压特性曲线 Load and output voltage characteristic curve



环境温度 (°C)



输入电压 (Vac)

switch

核准:

审核:

制作:

Key K1: anti fog film on/off function (click on on/off).

Indicator light: the white light is on when the anti fog film is turned on, and the white light is off when the anti fog film is turned off. The blue light comes on when touching, and goes out when releasing. Delay 60 minutes after the anti fog film is opened, and touch halfway to re time.

Key K2: Dimming function (click to open/close) slowly opens and closes.

Press and hold to adjust the brightness 10% - 100%, and the dimming should be smooth without jitter. Release or stop at the maximum and minimum, and reverse the next touch.

Indicator light: the white light is 100% on when starting, 50% on when shutting down, and the change process is gradual. The blue light comes on when touching, and goes out when releasing.

Key K3: Click the color temperature to switch: warm light cold light neutral light warm light cycle

Long press the stepless color adjustment (touch for more than 0.5 seconds), and the two color temperatures will be mutually adjusted under the brightness adjusted by key 2. One color temperature will stop when it reaches the minimum value, and the next touch will be reversed.

Indicator light: the white light is 100% on when starting, 50% on when shutting down, and the change process is gradual. The blue light comes on when touching, and goes out when releasing.

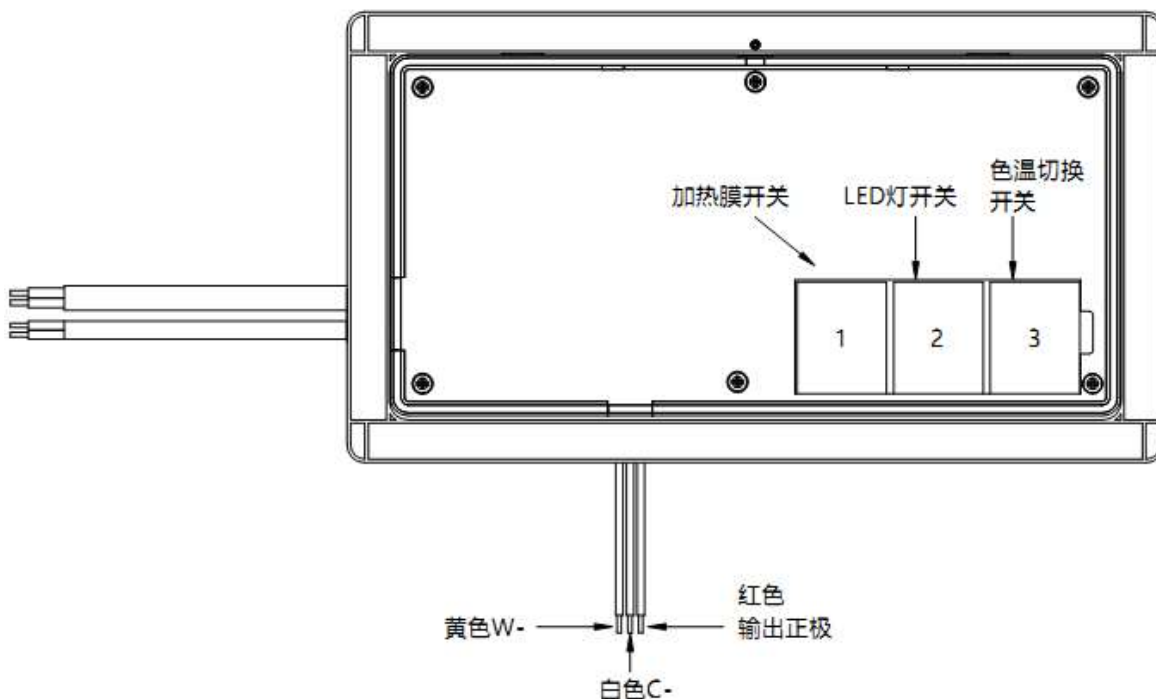
Turn off the indicator light: In any mode, press and hold three keys at the same time to turn off the indicator light. Press any key to turn on the indicator.

Power off memory: remember the state before power off, and the brightness, color temperature and switch state of the lamp remain the state when power off (power off memory).

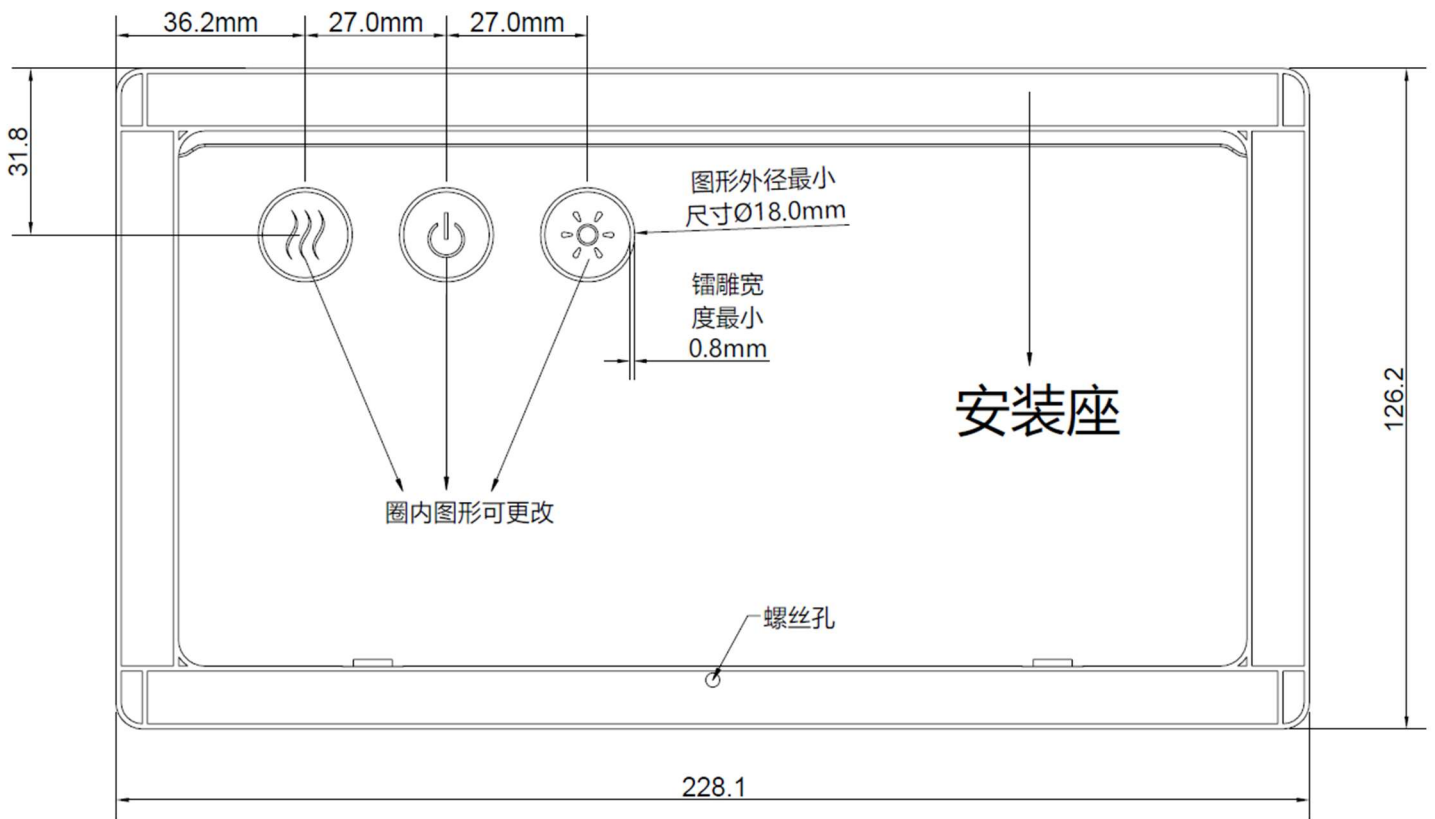
AED15/20-12/24VIP44-3A-Q3 15/20W 电源

3A-Q3 系列

■ 触摸开关按键位置图



■ 镜面镭射标识尺寸



核准:

审核:

制作: