

PRG-ML24/One

12-24
Vdc
Input

Motor 24

Sensors

Radio RF

4 LED
12-24
Output

Dimmer

Wired

Radio RF

App WIFI

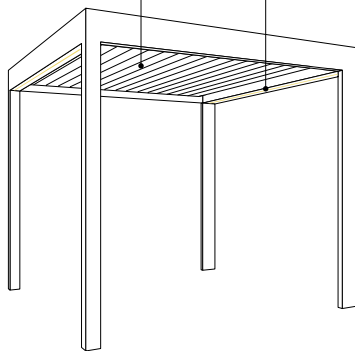
Voice

Control unit for 1 or 2 linear 24V motors for moving adjustable slats. Integrated radio receiver 433,92MHz, 2 wired inputs for push-button command, Smartphone control with WiFi - Cloud technology. Inputs for sun, rain, wind and temperature sensors. 24V Power supply.



Code	PRG-ML24/One
Power supply	24 Vdc
Motors	2 x Max 100W
Command inputs	2 NO Push buttons
Wired weather sensors	Wind or Sun Rain - Snow
Radio frequency	433.920 MHz ISM
Wireless Smart	WiFi 2,4GHz
Remote smart control	App OneSmart
IP protection	IP55
Working temperature	-20 +55 °C
Dimensions	310x70x80 mm

Adjustable slats roof Lighting control



Electrical connections

