

**BASI
BASES**

053-32-054	475	32-079	421	R146	454	R233	477
32-001	447	A010	451	R150	446	R234	479
32-002	450	G197	443	R152	452	R235	479
32-003	457	G372	427	R155	451	R241	433
32-006	424	Q245	462	R156	419	R242	433
32-008	436	Q246	463	R157	423	R243	433
32-009	443	R024	436	R158	477	R244	435
32-011	466	R035	436	R159	426	R245	480
32-012	465	R038	436	R160	426	R247	423
32-013	466	R039	436	R161	426	R248	424
32-014	465	R041	439	R164	416	R251	459
32-015	434	R042	468	R166	452	R252	472
32-016	468	R043	465	R167	474	R253	435
32-017	442	R045	467	R172	422	R254	478
32-018	446	R047	468	R174	429	R255	472
32-019	446	R053	446	R175	422	R256	414
32-023	436	R058	474	R176	423	R256-03	414
32-025	436	R065	436	R183	419	R257	461
32-026	445	R069	445	R184	419	R258	460
32-027	441	R070	451	R185	417	R259	417
32-028	465	R072	474	R186	413	R262	414
32-030	476	R074	417	R188	417	R262-03	414
32-031	476	R075	417	R189	413	R263	453
32-033	474	R076	417	R190	420	R264	477
32-034	477	R077	417	R191	437	R265	473
32-035	477	R078	417	R192	423	R266	463
32-042	422	R079	417	R193	413	R267	463
32-045	469	R081	478	R194	413	R268	424
32-046	469	R082	423	R195	413	R269	438
32-047	441	R083	455	R196	413	R270	462
32-048	441	R086	418	R197	432	R271	424
32-049	476	R087	420	R198	442	R272	433
32-050	425	R088	419	R199	432	R273	437
32-051	415	R091	454	R200	432	R275	462
32-052	415	R093	459	R201	442	S022	460
32-053	425	R097	446	R202	442	S025	470
32-054	475	R107	439	R203	442	S034	444
32-055	415	R110	472	R206	416	S040	456
32-056	475	R112	447	R207	416	S041	448
32-057	415	R113	418	R208	475	S057	458
32-058	415	R115	444	R208-20	473	S058	455
32-059	415	R117	425	R209	426	S063	449
32-061	433	R119	459	R210	426	S064	421
32-063	474	R120	450	R211	426	S070	464
32-064	475	R121	440	R212	426	S071	464
32-065	479	R125	440	R213	427	S074	432
32-067	434	R131	439	R214	427	S075	432
32-068	434	R132	438	R215	427	S076	432
32-069	434	R133	472	R216	427	S080	431
32-070	465	R134	473	R220	479	S081	429
32-071	438	R135	475	R221	479	S082	430
32-072	438	R135-20	473	R223	440	S083	471
32-073	438	R136	465	R224	476	S087	470
32-075	421	R137	467	R225	476	S094	481
32-076	421	R138	440	R226	420	S095	480
32-077	421	R139	440	R228	423	S096	428
32-078	421	R145	454	R232	478	S097	428

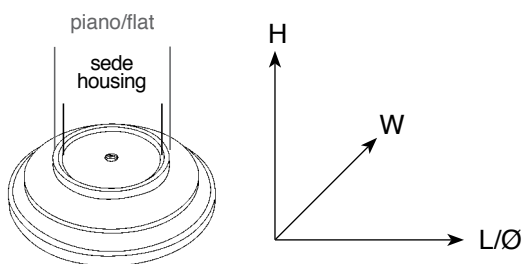


BASI
BASES



Lettura misure:

Measurement legenda:



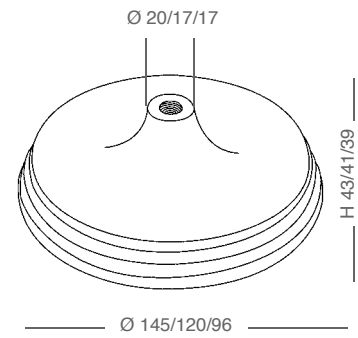
N.B. quota sedi specificata in NERO
housing dimension in BLACK

L= Lunghezza/*Length*

H= Altezza/*Height*

W= Larghezza/*Width*

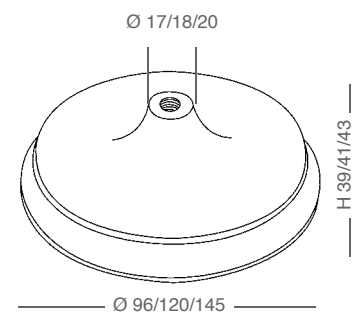
Ø= Diametro/*Diameter*



R193
Ø96 x H39
filetto/thread M 10/1

R189
Ø120 x H41
filetto/thread M 10/1

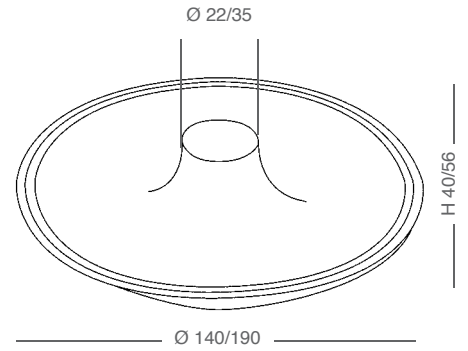
R186
Ø145 x H43
filetto/thread M 10/1



R196
Ø96 x H39
filetto/thread M 10/1

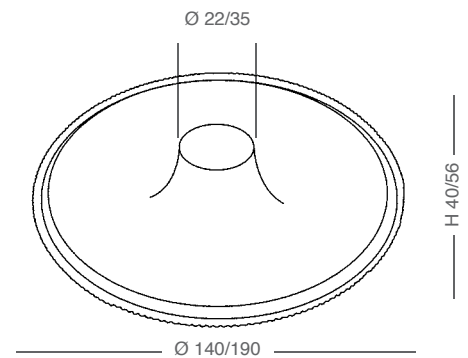
R195
Ø120 x H41
filetto/thread M 10/1

R194
Ø145 x H43
filetto/thread M 10/1



R262
Ø140 x H40

R256
Ø190 x H56



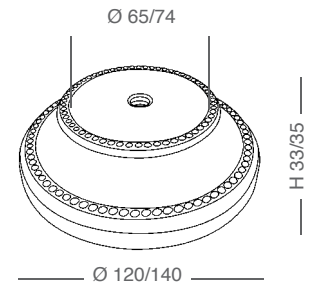
R262-03
Ø140 x H40
godronata/knurled

R256-03
Ø190 x H56
godronata/knurled



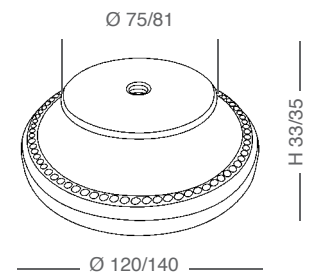
32-057
Ø120 x H33

32-051
Ø140 x H35



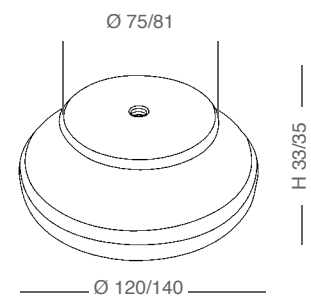
32-058
Ø120 x H33

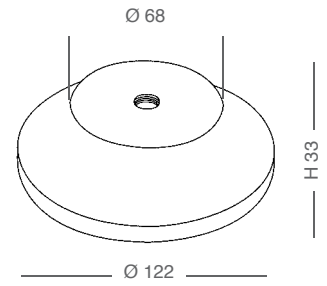
32-055
Ø140 x H35



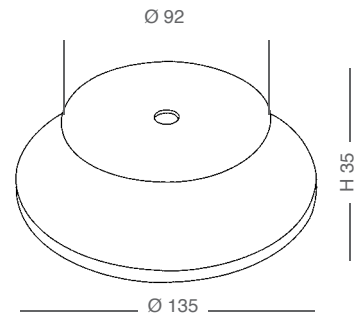
32-059
Ø120 x H33

32-052
Ø140 x H35

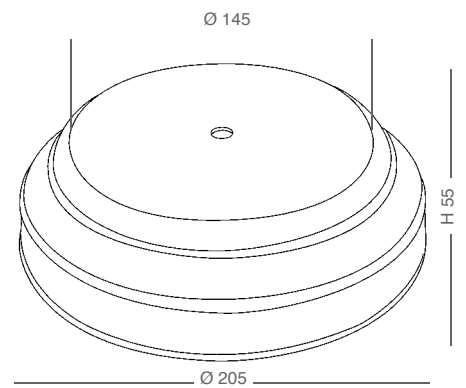




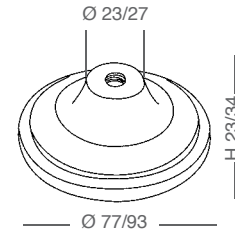
R164
Ø122 x H33



R207
Ø135 x H35

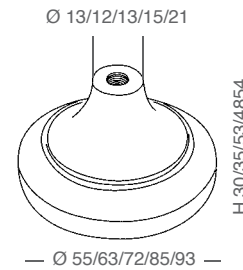


R206
Ø205 x H55



R259
Ø77 x H23
filetto/thread M 10/1

R079
Ø93 x H34
filetto/thread M 10/1



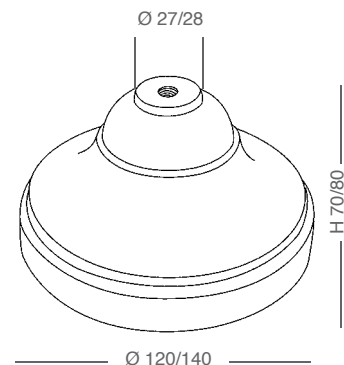
R074
Ø55 x H30
filetto/thread M 10/1

R075
Ø63 x H35
filetto/thread M 10/1

R076
Ø72 x H53
filetto/thread M 10/1

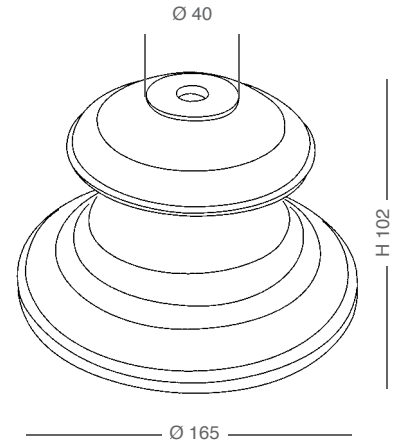
R077
Ø85 x H48
filetto/thread M 10/1

R078
Ø93 x H54
filetto/thread M 10/1

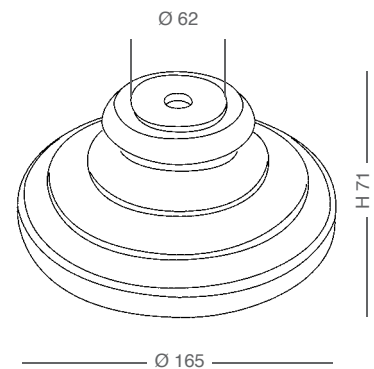


R188
Ø120 x H70
filetto/thread M 10/1

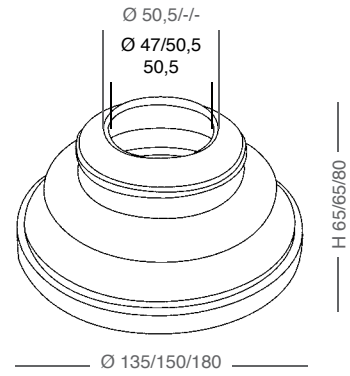
R185
Ø140 x H80
filetto/thread M 10/1



R113
 $\varnothing 165 \times H 102$



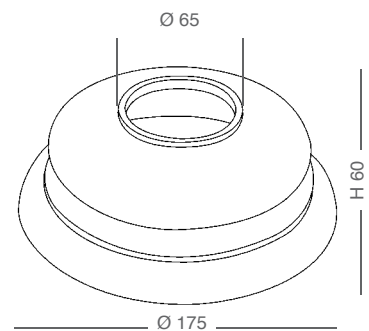
R086
 $\varnothing 165 \times H 71$



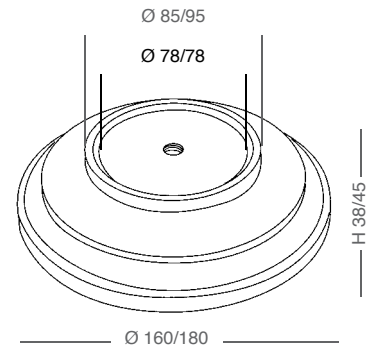
R183
 $\varnothing 135 \times H65$

R088
 $\varnothing 150 \times H65$

R184
 $\varnothing 180 \times H80$



R156
 $\varnothing 175 \times H60$

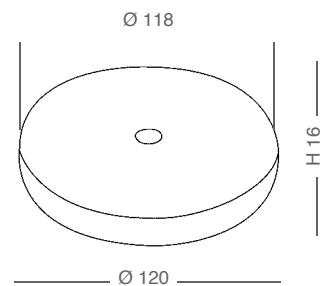


R087

$\varnothing 160 \times H45$
 filetto/thread M 10/1

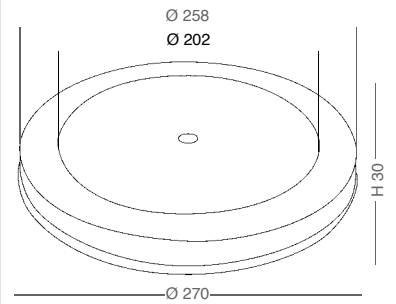
R190

$\varnothing 180 \times H38$
 filetto/thread M 10/1

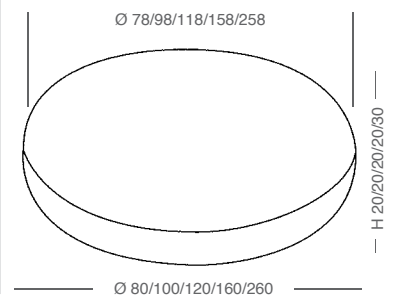


R226

$\varnothing 120 \times H16$



S064
 $\varnothing 270 \times H30$



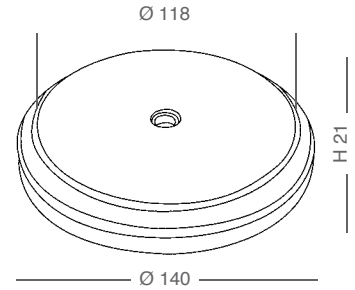
32-075
 $\varnothing 80 \times H20$

32-076
 $\varnothing 100 \times H20$

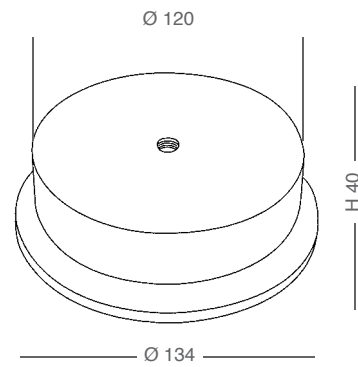
32-077
 $\varnothing 120 \times H20$

32-078
 $\varnothing 160 \times H20$

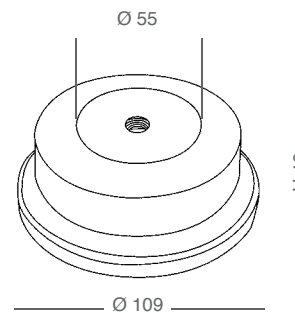
32-079
 $\varnothing 260 \times H30$



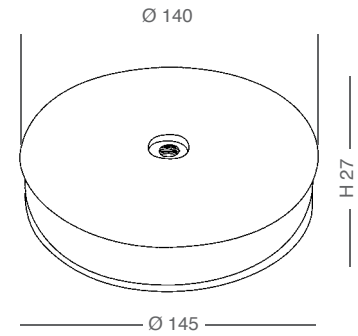
32-042
Ø140 x H21



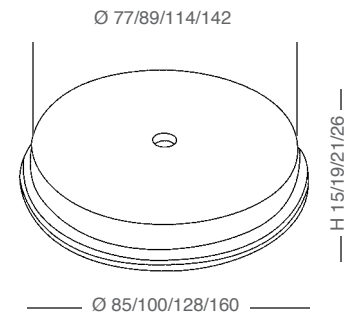
R172
Ø134 x H40
filetto/thread M 10/1



R175
Ø109 x H40
filetto/thread M 10/1


R176

Ø145 x H27
filetto/thread M 10/1


R192

Ø85 x H15
filetto/thread M 10/1

R157

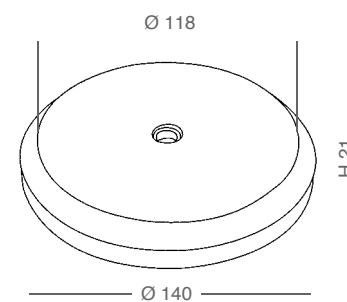
Ø100 x H19
filetto/thread M 10/1

R228

Ø128 x H21
filetto/thread M 10/1

R247

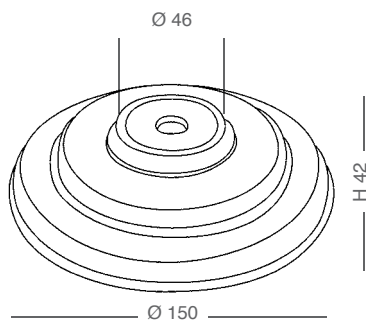
Ø160 x H26
filetto/thread M 10/1


R082

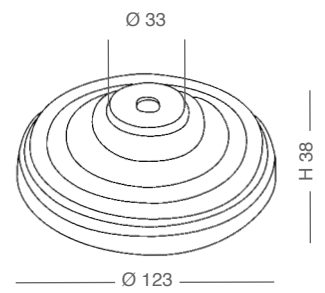
Ø140 x H21
filetto/thread M 10/1



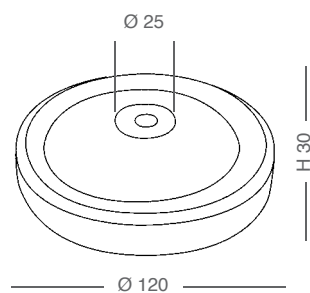
R268
Ø150 x H42



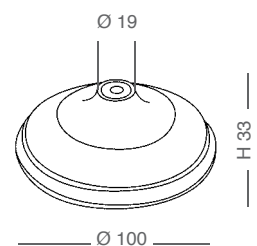
32-006
Ø123 x H38



R271
Ø120 x H30

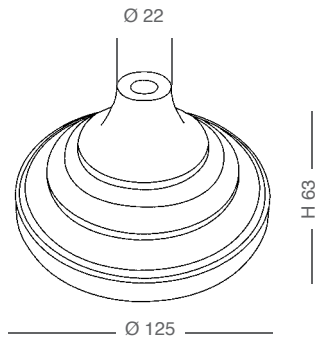


R248
Ø100 x H33

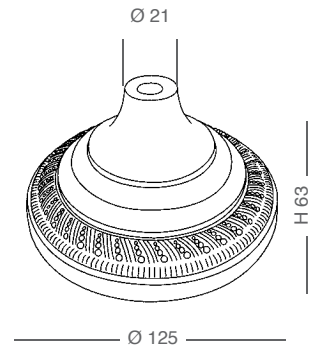




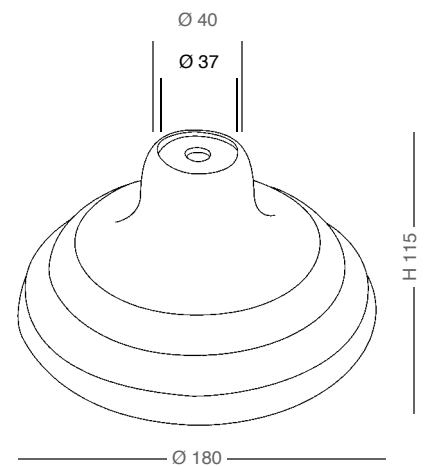
32-050
Ø125 x H63

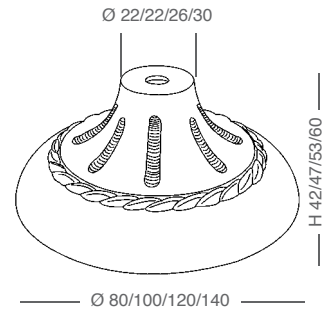


32-053
Ø125 x H63



R117
Ø180 x H115



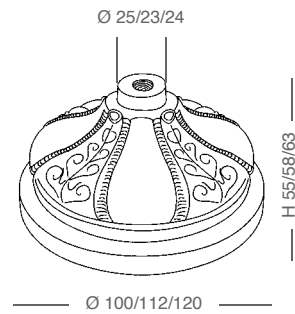


R212
Ø80 x H42

R211
Ø100 x H47

R210
Ø120 x H53

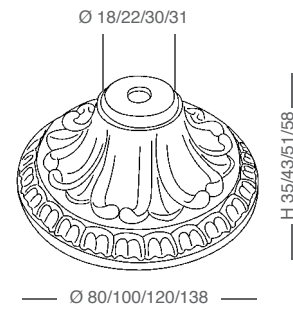
R209
Ø140 x H60



R161
Ø100 x H55
filetto/thread M 10/1

R160
Ø112 x H58
filetto/thread M 10/1

R159
Ø120 x H63
filetto/thread M 10/1

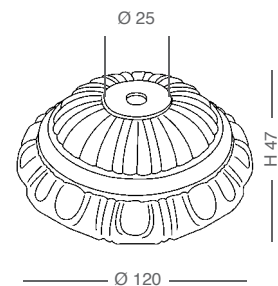


R216
Ø80 x H35

R215
Ø100 x H43

R214
Ø120 x H51

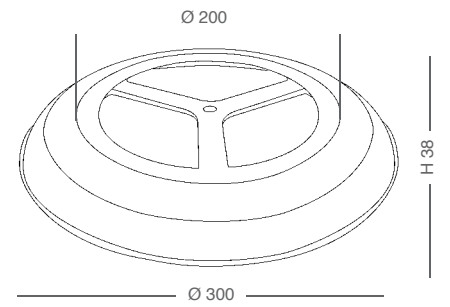
R213
Ø138 x H58



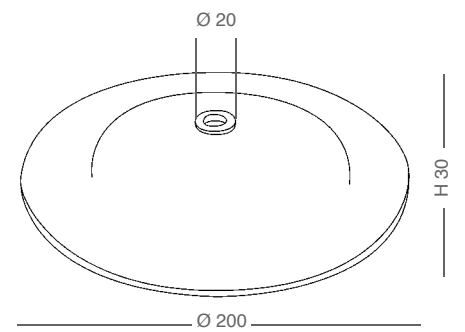
G372
Ø120 x H47



S096
 Ø300 x H38



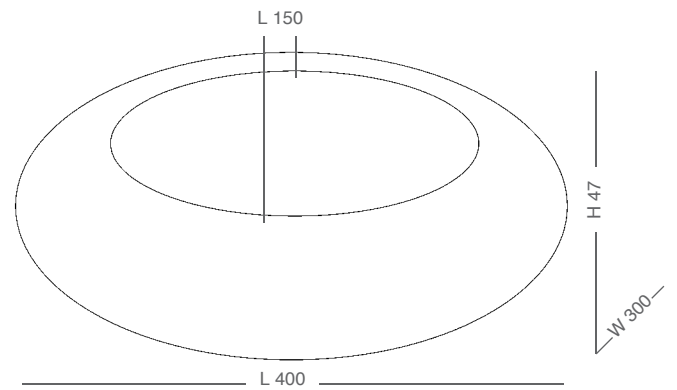
S097
 Ø200 x H30





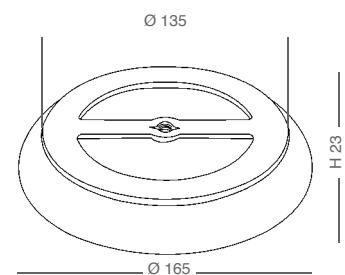
S081

L400 x W300 x H47



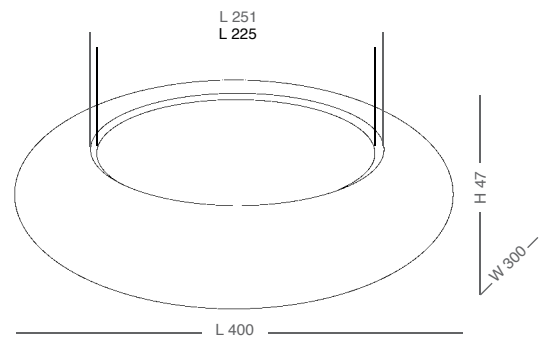
R174

Ø165 x H23
filetto/thread M 10/1



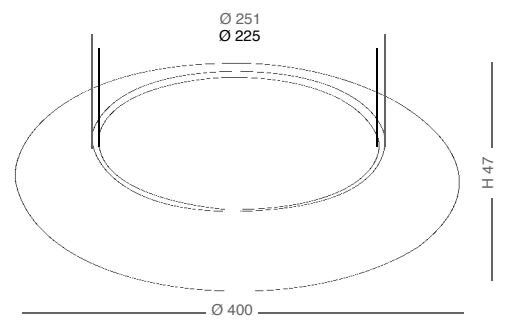


S082
L400 x W300 x H47





S080
Ø400 x H47

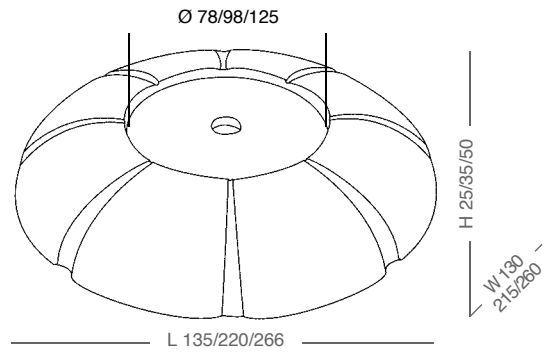




S074
L135 x W130 x H28

S076
L265 x W260 x H50

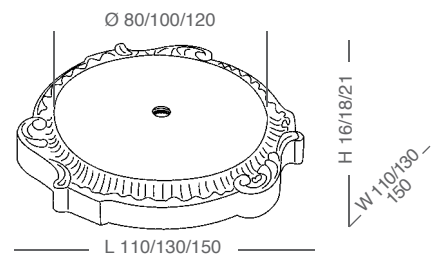
S075
L220 x W215 x H35



R199
L110 x W110 x H16
filetto/thread M 10/1

R200
L150 x W150 x H21
filetto/thread M 10/1

R197
L130 x W130 x H18
filetto/thread M 10/1

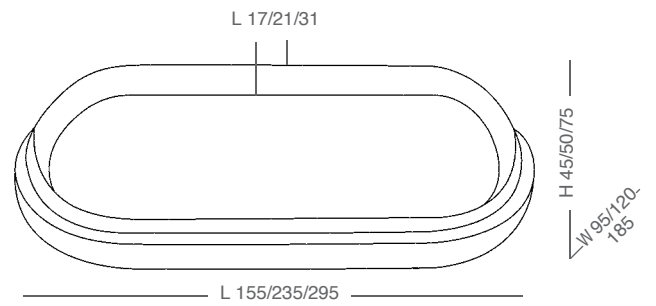




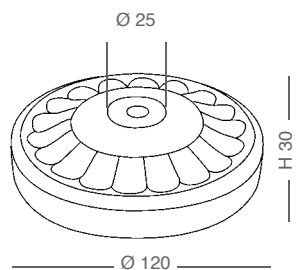
R241
L155 x W95 x H45

R243
L295 x W185 x H75

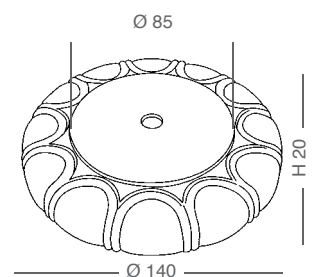
R242
L235 x W120 x H50

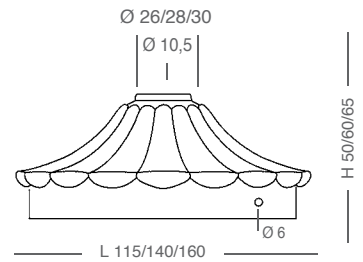


R272
Ø120 x H30



32-061
Ø140 x H20





32-067

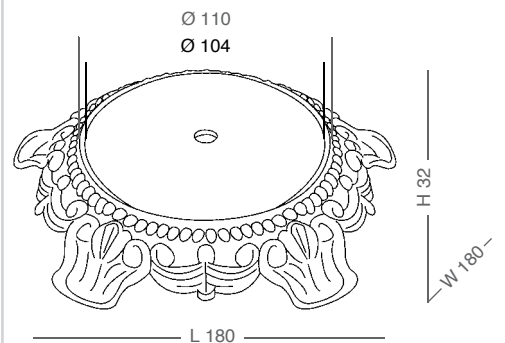
Ø115 x H50 foro/hole Ø10,5

32-068

Ø140 x H60 foro/hole Ø10,5

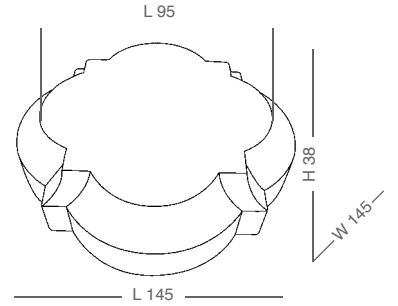
32-069

Ø160 x H65 foro/hole Ø10,5

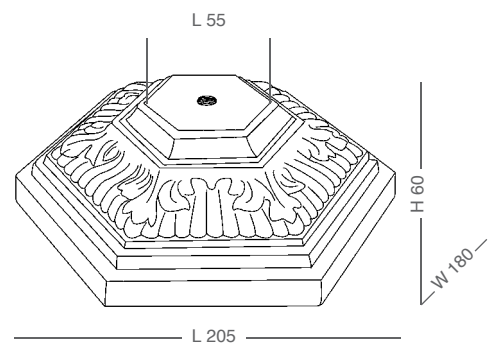


32-015

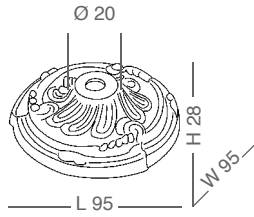
L180 x W180 x H32



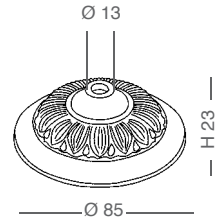
R253
L145 x W145 x H38



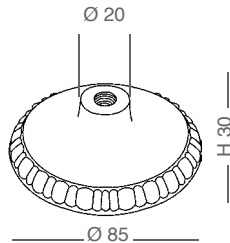
R244
L205 x W180 x H60
filetto/thread M 10/1



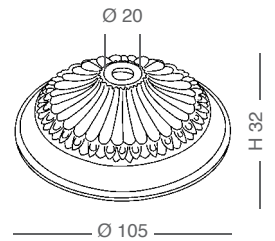
32-008
L95 x W95 x H28



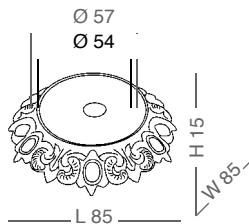
32-023
Ø85 x H23



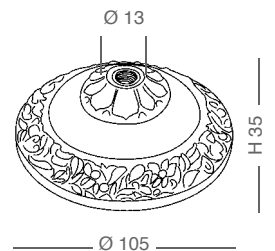
R035
Ø85 x H30
filetto/thread M 10/1



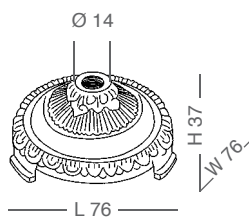
R038
Ø105 x H32
filetto/thread M 10/1



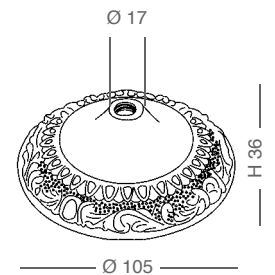
32-025
L85 x W85 x H15



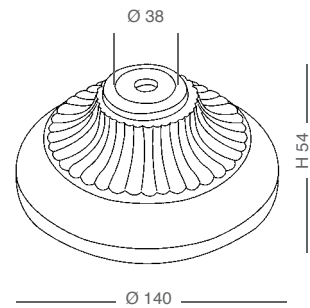
R039
Ø105 x H35
filetto/thread M 10/1



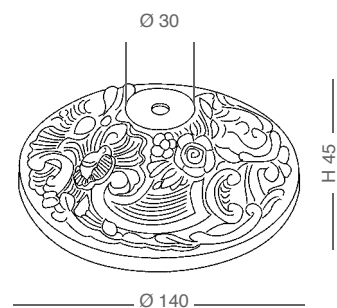
R024
L76 x W76 x H37
filetto/thread M 10/1



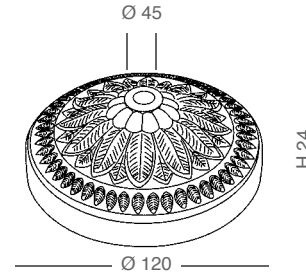
R065
Ø105 x H36
filetto/thread M 10/1



R273
Ø140 x H54



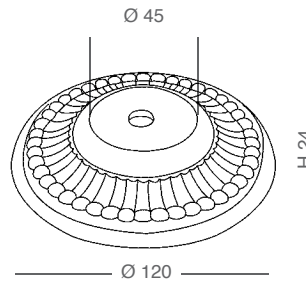
R191
Ø140 x H45
filetto/thread M 10/1



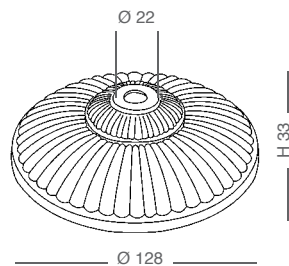
32-071
Ø100 x H36 foro/hole Ø10,5
piano sopra/upper flat Ø15

32-072
Ø120 x H42 foro/hole Ø10,5
piano sopra/upper flat Ø15

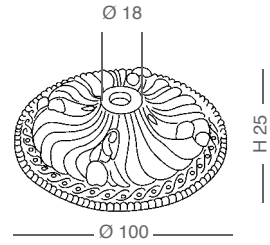
32-073
Ø200 x H60 foro/hole Ø10,5
piano sopra/upper flat Ø15



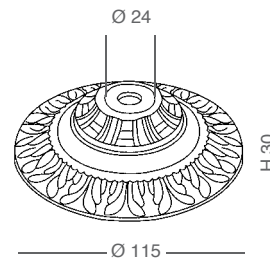
R132
Ø120 x H24



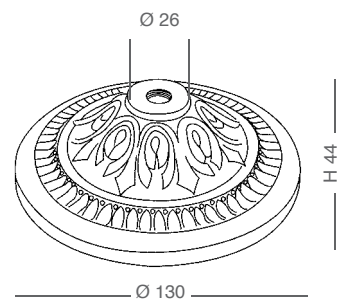
R269
Ø128 x H33



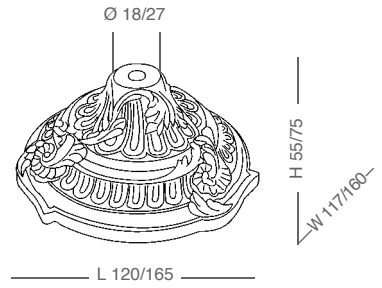
R041
Ø100 x H25
filetto/thread M 10/1



R131
Ø115 x H30

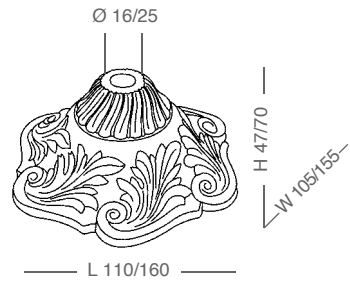


R107
Ø130 x H44



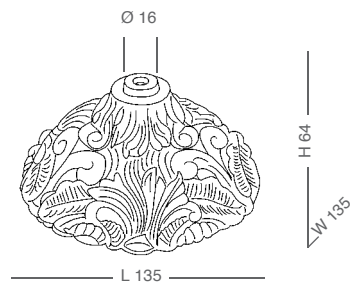
R139
L120 x W117 x H55

R138
L165 x W160 x H75

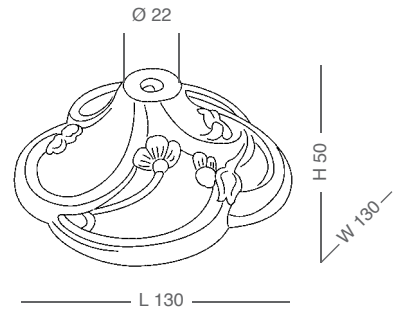


R125
L110 x W105 x H47

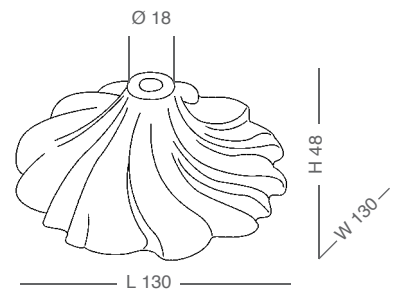
R121
L160 x W155 x H70



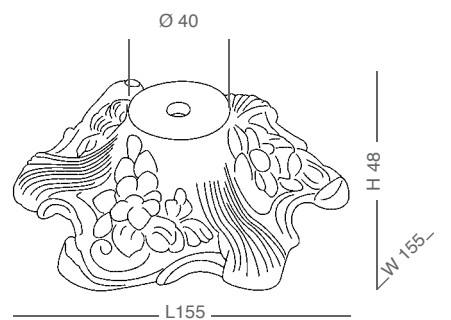
R223
L135 x W135 x H64



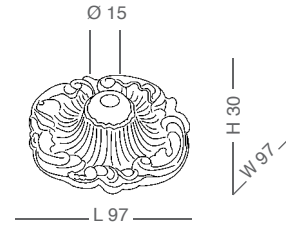
32-047
L130 x W130 x H50



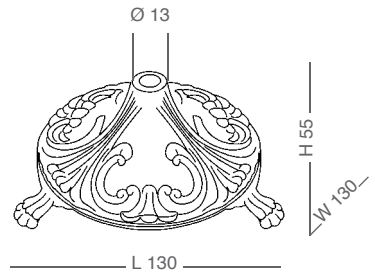
32-048
L130 x W130 x H48



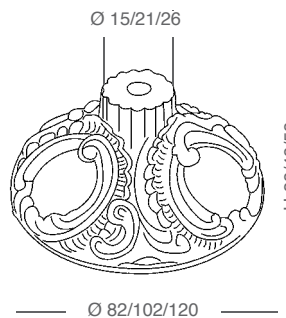
32-027
L155 x W155 x H48



R203
L97 x W97 x H30



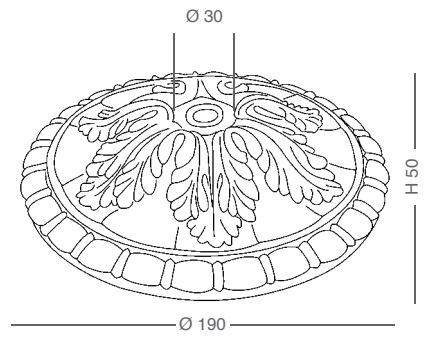
32-017
L130 x W130 x H55



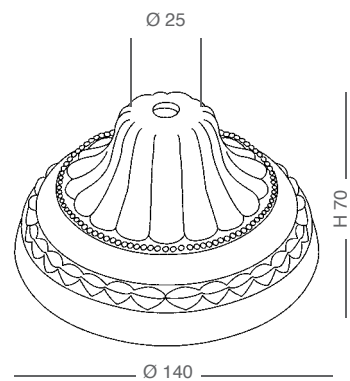
R201
Ø82 x H38

R198
Ø102 x H48

R202
Ø120 x H58



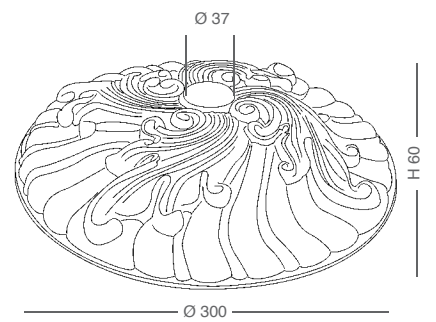
G197
Ø190 x H50



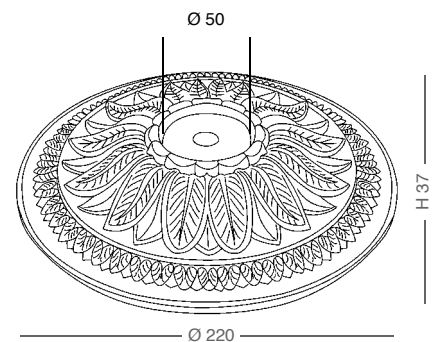
32-009
Ø140 x H70

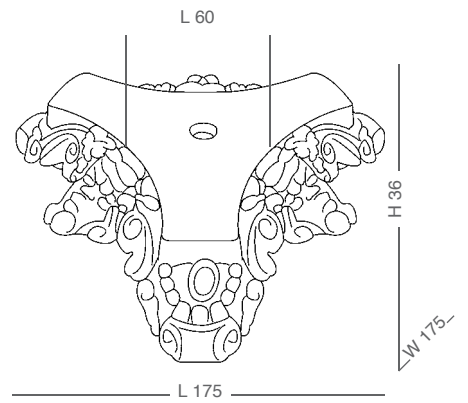


S034
 Ø300 x H60

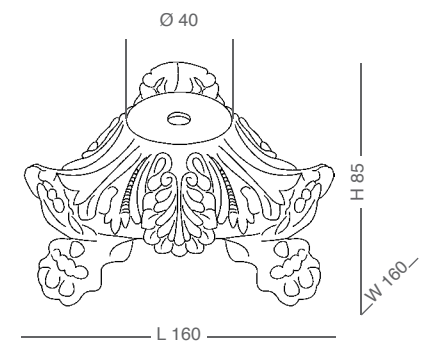


R115
 Ø220 x H37

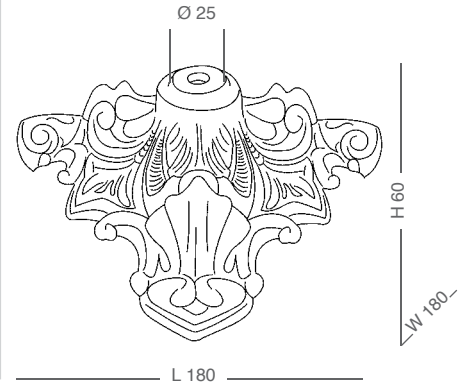




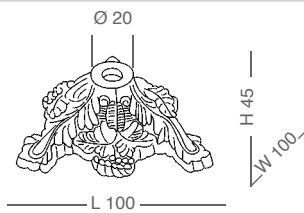
32-026
L175 x W175 x H36



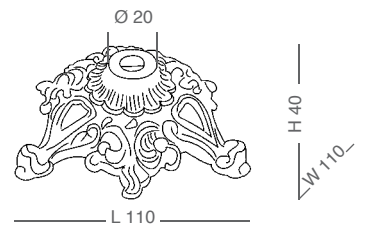
R069
L160 x W160 x H85



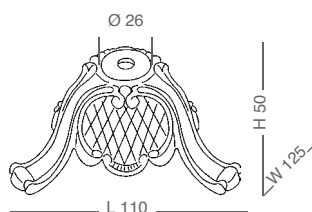
R053
L180 x W180 x H60



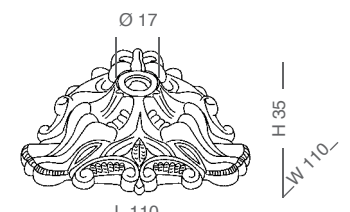
32-018
L100 x W100 x H45



R097
L110 x W110 x H40



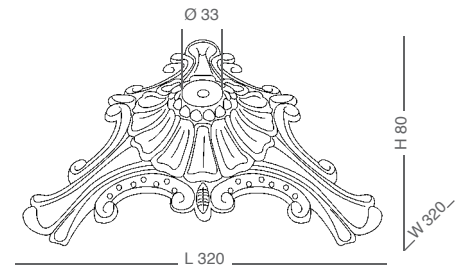
R150
L110 x W125 x H50
filetto/thread M 10/1



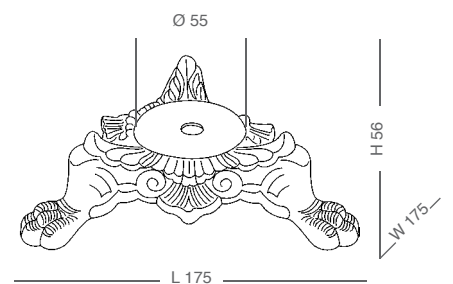
32-019
L110 x W110 x H35



32-001
L320 x W320 x H80

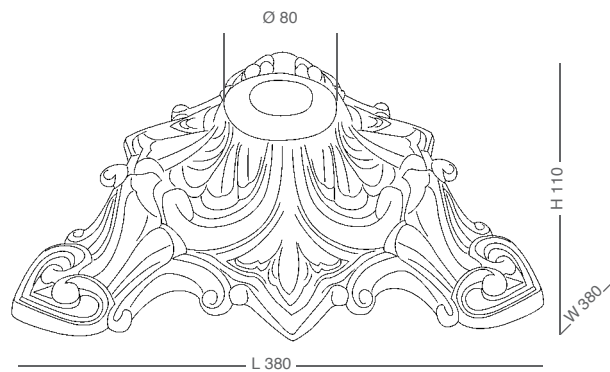


R112
L175 x W175 x H56



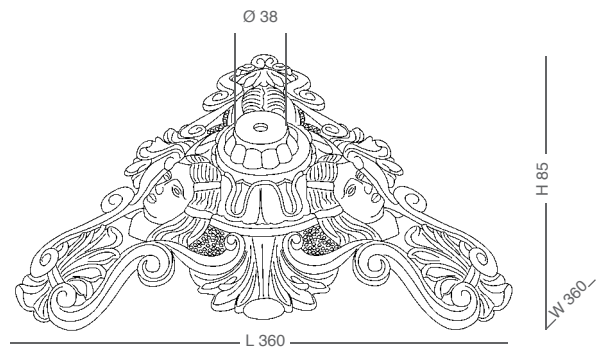


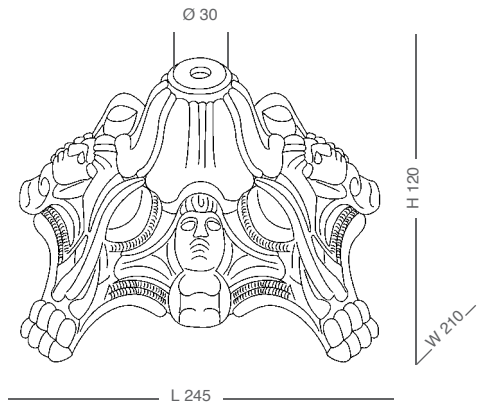
S041
L380 x W380 x H110





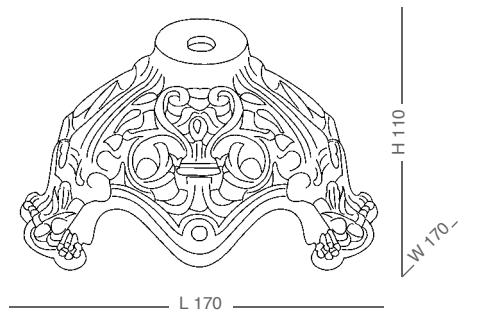
S063
L360 x W360 x H85





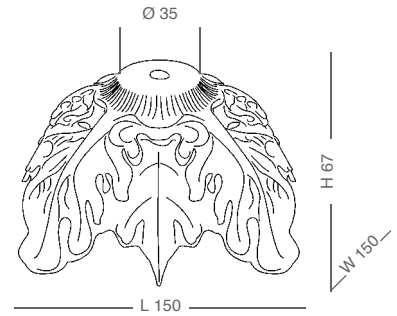
32-002

L245 x W210 x H120

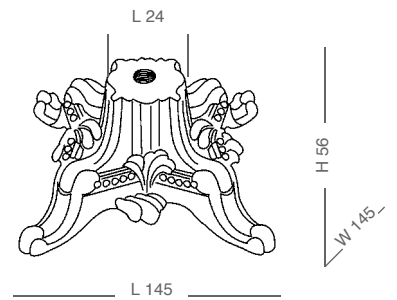


R120

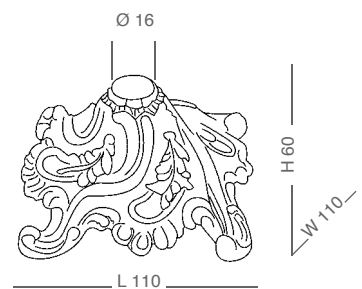
L170 x W170 x H110



A010
L150 xW150 x H67



R155
L145 x W145 x H56
filetto/thread M 10/1

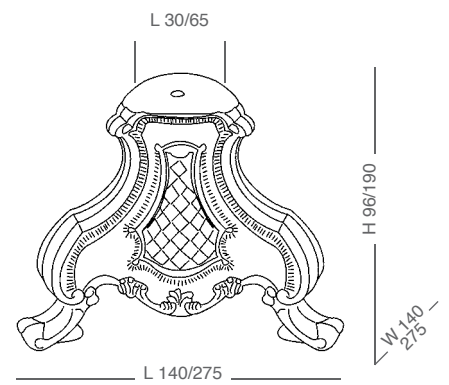


R070
L110 x W110 x H60



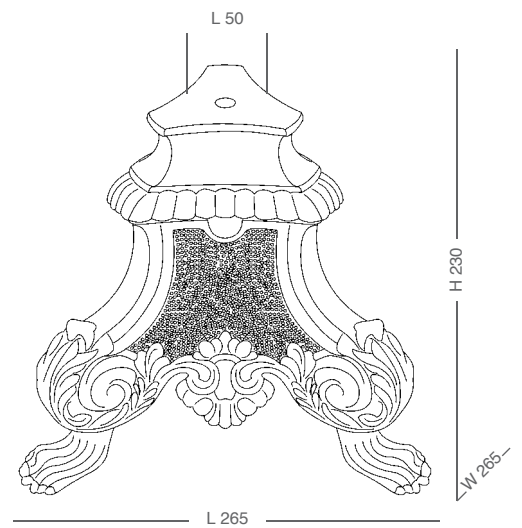
R152
L140 x W140 x H96

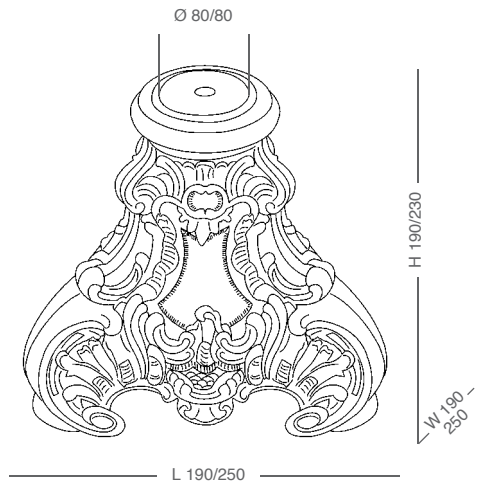
R166
L275 x W275 x H190





R263
L265 x W265 x H230



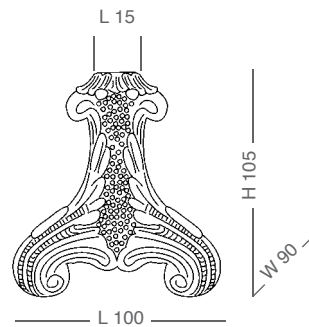


R146

L190 x W190 x H190

R145

L250 x W250 x H230

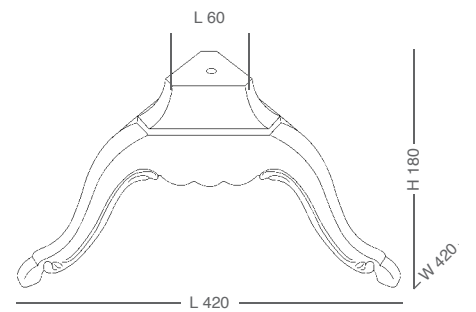


R091

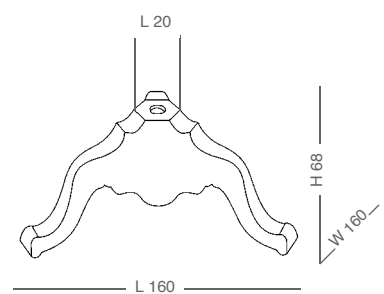
L100 x W90 x H105



S058
L420 x W420 x H180

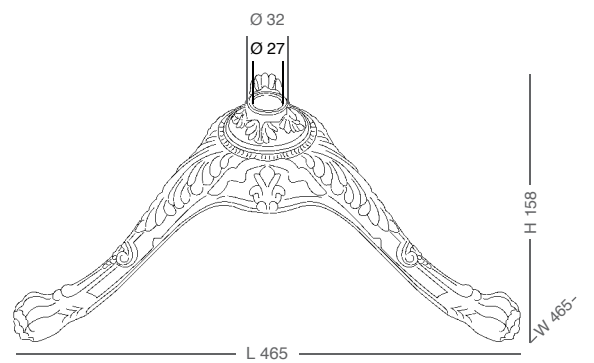


R083
L160 x W160 x H68





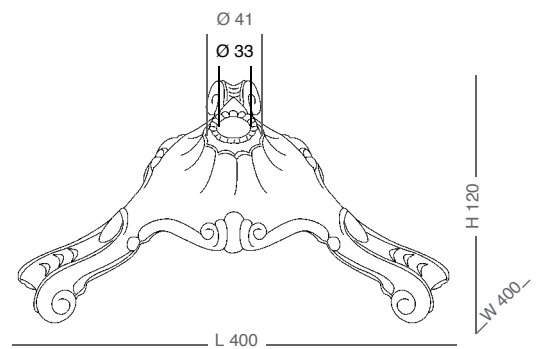
S040
L465 x W465 x H158





32-003

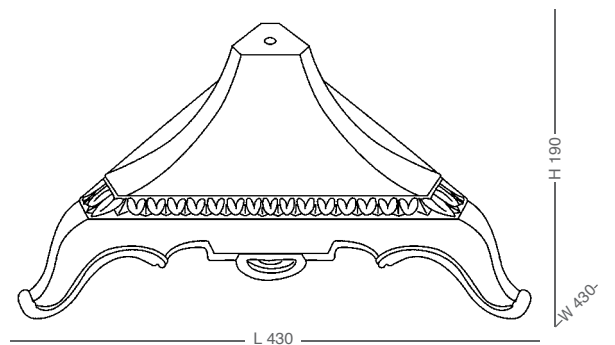
L400 x W400 x H120





S057

L430 x W430 x H190

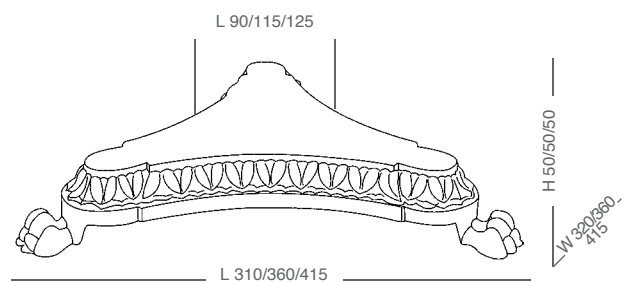




R093
L310 x W320 x H50

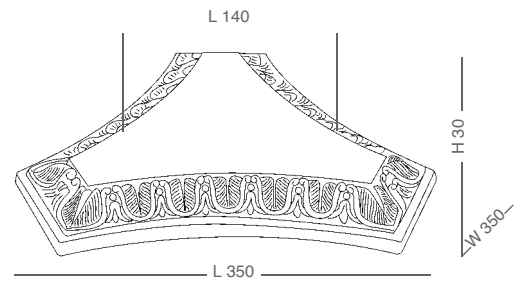
R251
L360 x W360 x H50

R119
L415 x W415 x H50

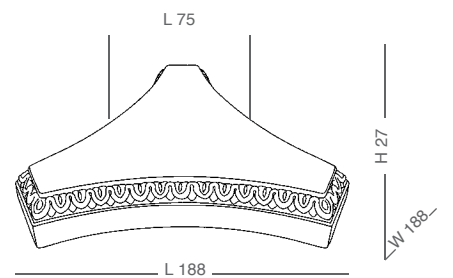


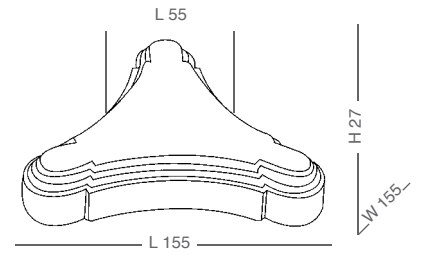


S022
L350 x W350 x H30



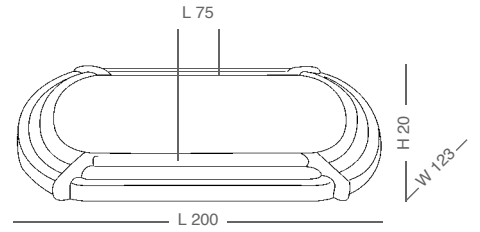
R258
L188 x W188 x H27



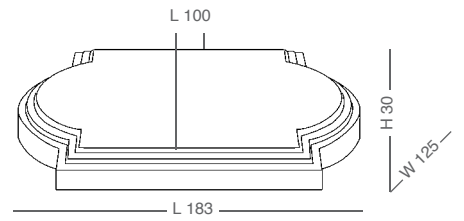


R257
L155 x W155 x H27

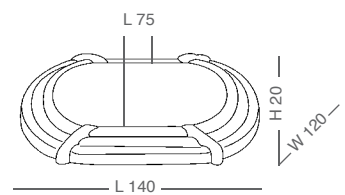




R270
L200 x W123 x H20



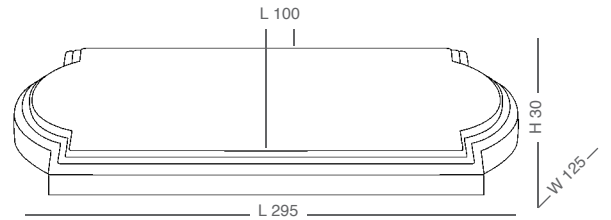
Q245
L183 x W125 x H30



R275
L140 x W120 x H20

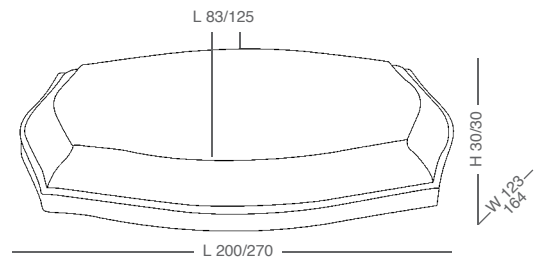


R266
L295 xW125 x H30



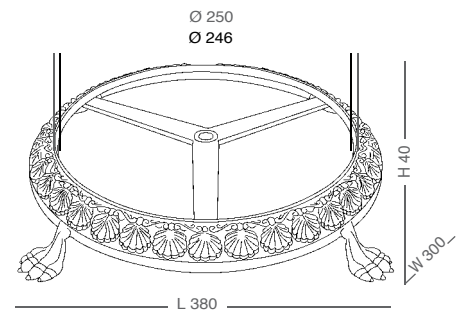
Q246
L200 x W123 x H30

R267
L270 x W164 x H30

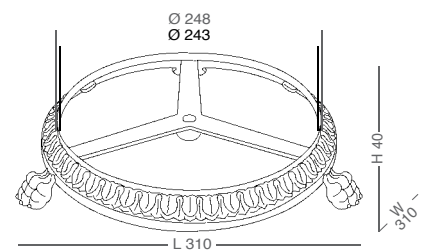




S070
L380 x W300 x H40



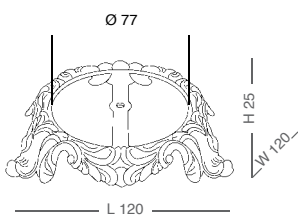
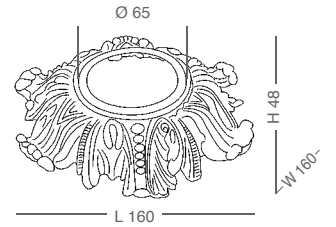
S071
L310 x W310 x H40



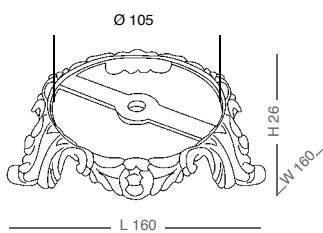


32-028
L160 x W160 x H48

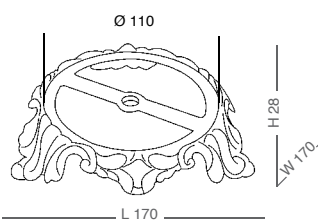
32-070
L190 x W190 x Hforo/hole Ø10,5
piano sopra/upper flat Ø66



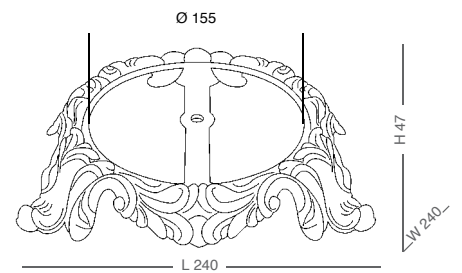
R043
L120 x W120 x H25



32-012
L160 x W160 x H26



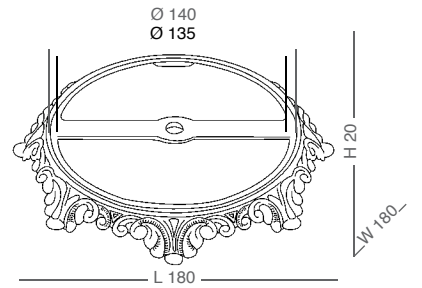
32-014
L170 x W170 x H28



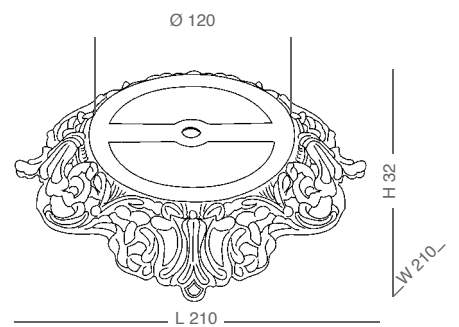
R136
L240 x W240 x H47



32-013
L180 x W180 x H20

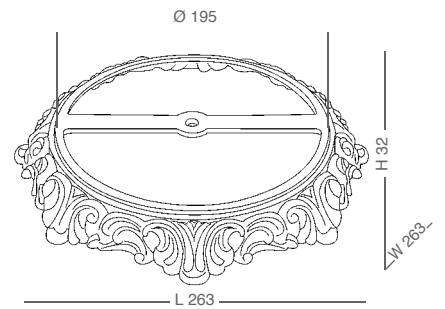


32-011
L210 x W210 x H32

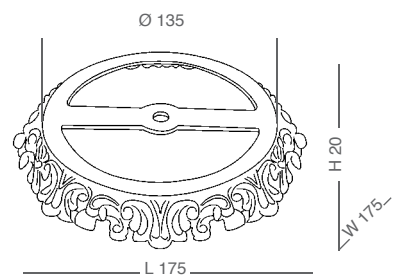




R137
L263 x W263 x H32

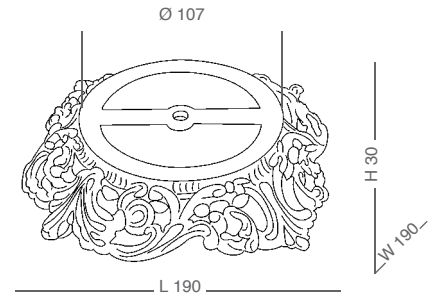


R045
L175 x W175 x H20

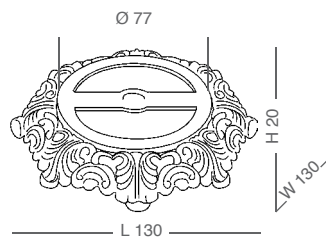




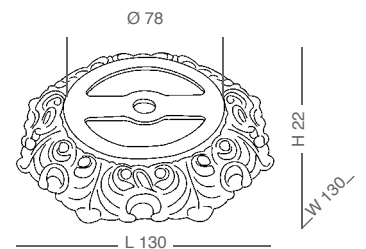
R047
L190 x W190 x H30



R042
L130 x W130 x H20

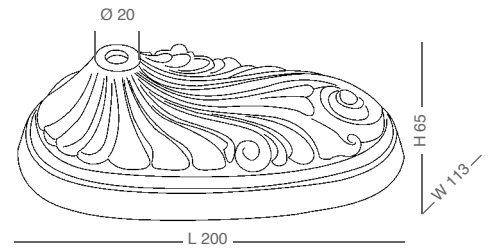


32-016
L130 x W130 x H22

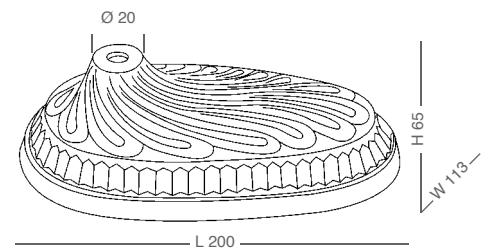


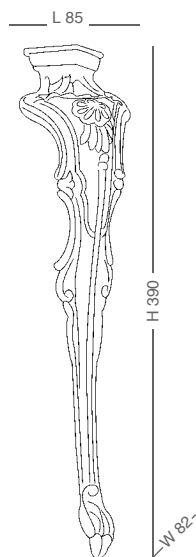


32-045
L200 x W113 x H65

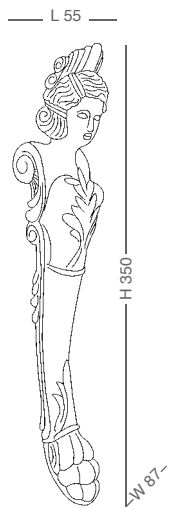


32-046
L200 x W113 x H65

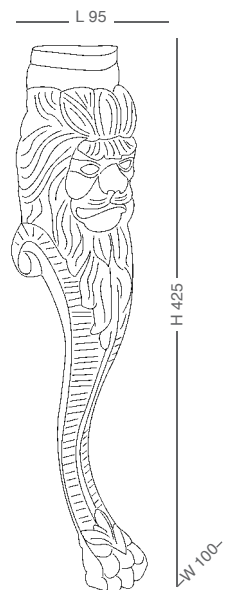




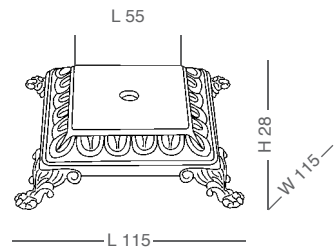
S025
L85 x W82 x H390



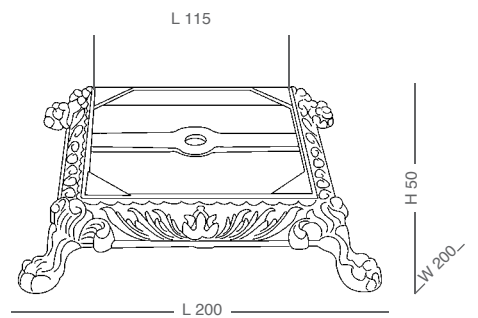
S087
L55 x W87 x H350



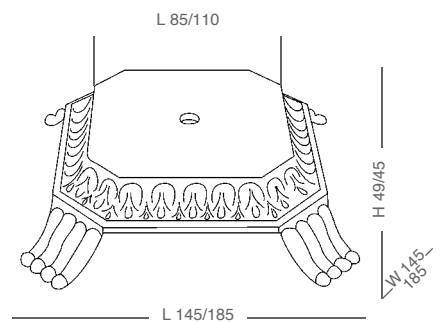
S083
L95 x W100 x H425



R255
L115 x W115 x H28
filetto/thread M 10/1

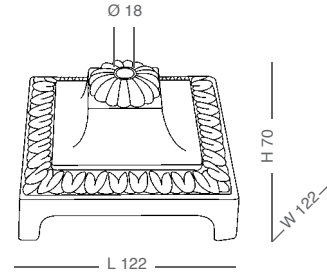


R252
L200 x W200 x H50

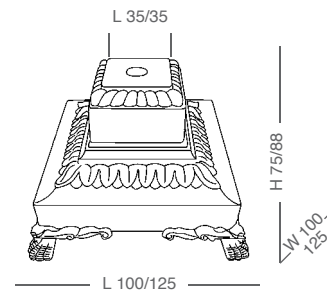


R110
L145 x W145 x H49

R133
L185 x W185 x H45

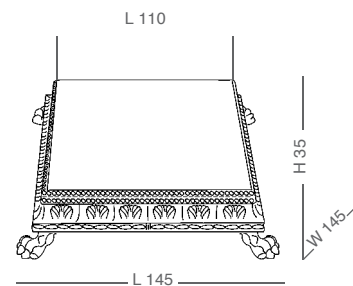


R134
L122 x W122 x H70

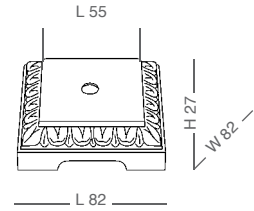


R208-20
L100 x W100 x H75

R135-20
L125 x W125 x H88

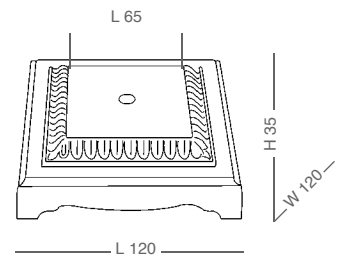


R265
L145 x W145 x H35



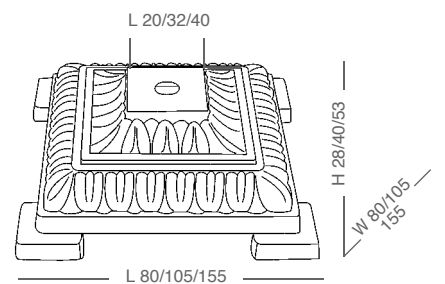
32-033

L82 x W82 x H27



R167

L120 x W120 x H35



R058

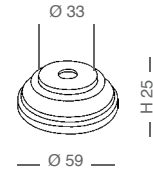
L80 x W80 x H28

32-063

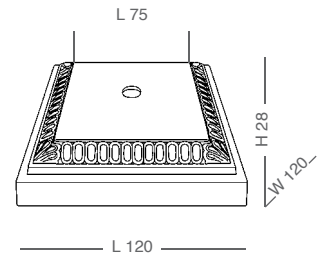
L105 x W105 x H40

R072

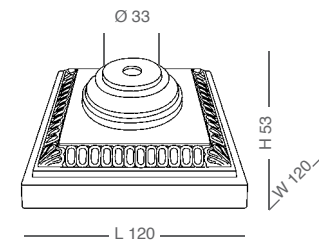
L155 x W155 x H53



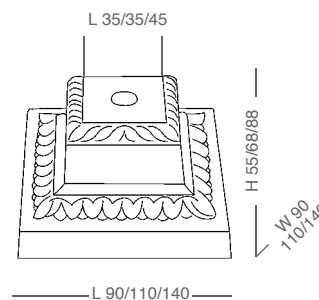
053-32-054
Ø59 x H25



32-056
L120 x W120 x H28



32-054
L120 x W120 x H53



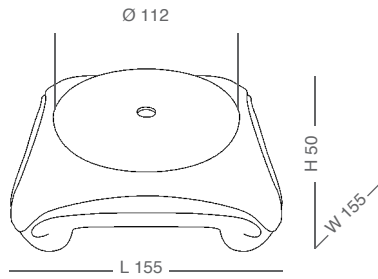
R208
L90 x W90 x H55

R135
L110 x W110 x H68

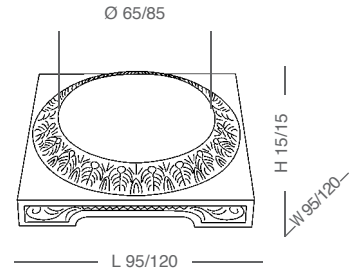
32-064
L140 x W140 x H88



32-049
L155 x W155 x H50



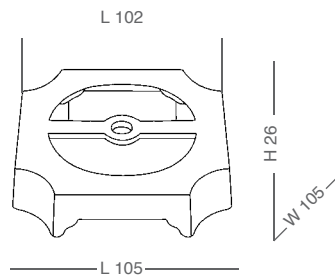
R224
L95 x W95 x H15



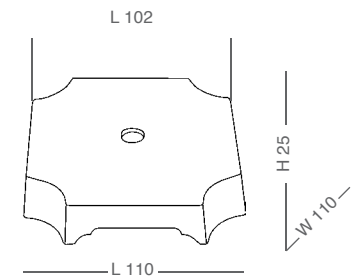
R225
L120 x W120 x H15



32-031
L105 x W105 x H26

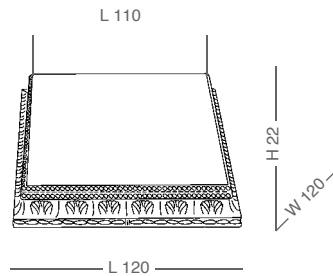


32-030
L110 x W110 x H25

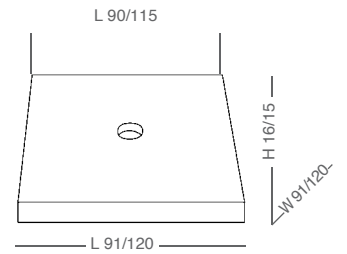




R264
L120 x W120 x H22



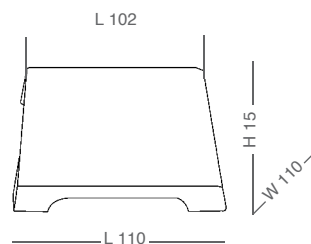
R158
L91 x W91 x H16
filetto/thread M 10/1



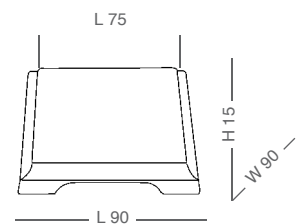
R233
L120 x W120 x H15

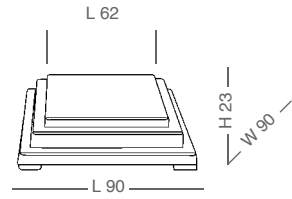


32-034
L110 x W110 x H15



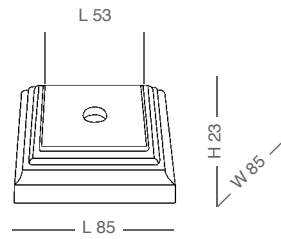
32-035
L90 x W90 x H15





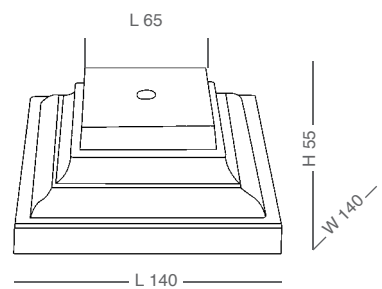
R081

L90 x W90 x H23



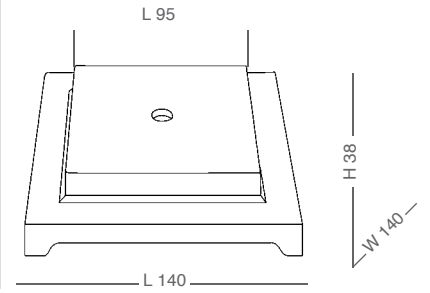
R232

L85 x W85 x H23

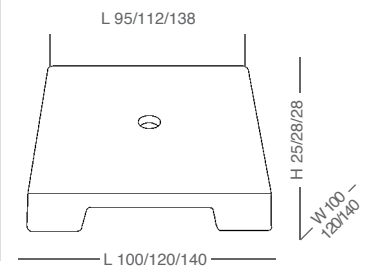


R254

L140 x W140 x H55



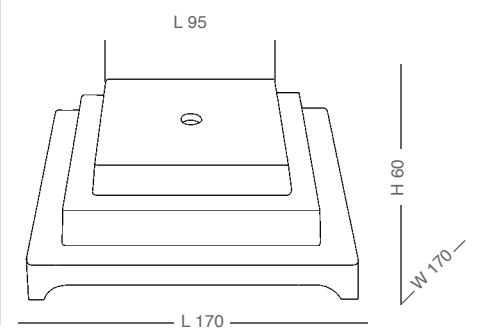
R220
L140 x W140 x H38



32-065
L100 x W100 x H25

R234
L120 x W120 x H28

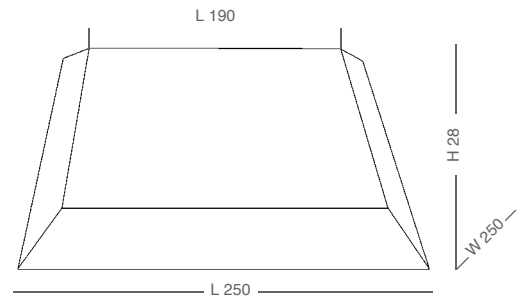
R235
L140 x W140 x H28



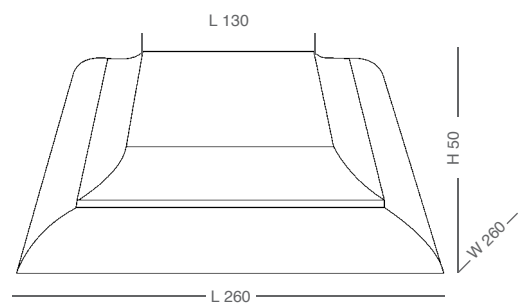
R221
L170 x W170 x H60



R245
L250 x W250 x H28



S095
L260 x W260 x H50





S094
L300 x W300 x H30

