



Catalogue **ELECTRICAL EQUIPMENT**  
 Line **Lampholders**  
 Family **Lampholder Porcelain & Resin T230**  
 Subfamily **Porcelain Lampholder E14**

Picture	Article	Description	Lot	Price/Unit
	92P05H0		1	3,11 €
	Lampholder E14 P05H 2A / 250V T210°		10	2,07 €
			20	1,96 €
	Static. With M10x1 squad. Antigiro and earthing screw terminal.		100	1,91 €

Voltage In (Vac): 250 Intensidad In (A): 2  
 Temperature (°C): 210 Socket: E14




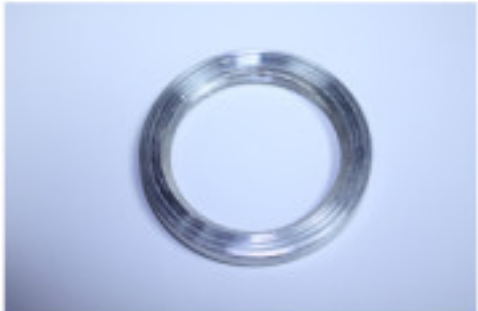
	F1C443D		1	0,00 €
	Lampholder Porcelain E-14 square M10/1			

For rigid or flexible cables 0,5-2,5mm<sup>2</sup>, threaded metallic bracket M10x1


High (mm): 59 Diameter (mm): 32 Colour: Esteatita  
 Voltage In (Vac): 250 Intensidad In (A): 4  
 Temperature (°C): 200 Connection: Screw  
 Socket: E14




Catalogue **ELECTRICAL EQUIPMENT**  
 Line **Lampholders**  
 Family **Lampholder Porcelain & Resin T230**  
 Subfamily **Porcelain Lampholder E26**

Picture	Article	Description	Lot	Price/Unit
	F162640		1	0,67 €
		Plain threaded Lampholder E-26+Shade ring	400	0,5340 €
		Threaded cap M10 anti-rotation screw, rigid or flexibles cables AWG18	2400	0,4854 €
		High (mm): 56 Diameter (mm): 39 Colour: White Voltage In (Vac): 250 Intensidad In (A): 4 Temperature (°C): 270 Connection: Screw Socket: E26		
	F162641		1	0,70 €
		Aluminum Shade ring for F626 model A	400	0,5577 €
		Metallic ring for threaded E26 lampholder code F162640	2400	0,51 €
		High (mm): 5 Diameter (mm): 58 Colour: Zinc Socket: E26		

Catalogue **ELECTRICAL EQUIPMENT**  
 Line **Lampholders**  
 FAmily **Lampholder Porcelain & Resin T230**  
 Subfamily **Porcelain Lampholder E27**


Picture	Article	Description	Lot	Price/Unit
	AR1520000		1	0,96 €
	Lampholder E27 F519 porcelain		20	0,5936 €
		rigid or flexible cables of 0.5-2.5mm2. Fixing using M4 screw holes.	400	0,4567 €
			800	0,4415 €
		High (mm): 46,5 Diameter (mm): 43 Colour: Esteatita Voltage In (Vac): 500 Intensidad In (A): 4 Temperature (°C): 180 Connection: Screw Socket: E27		
	Reference: 400166			



	AR1520182		1	0,5946 €
	E27 F519 /SQ18/VT porcelain lamp holder		800	0,5794 €
		Lateral fixing bracket with 2 M3 holes (13mm apart) and M4 central hole. Ground screw		
		High (mm): 46,5 Diameter (mm): 43,5 Colour: Esteatita Voltage In (Vac): 500 Intensidad In (A): 4 Temperature (°C): 180 Connection: Screw Socket: E27		
		Reference: 400167		




Subfamily **Porcelain Lampholder E27**

Picture	Article	Description	Lot	Price/Unit
	AR1520220		1	1,72 €
	Lamp holder E27 Y-F519/SQ22 porcelain		20	1,08 €
	M10x1 threaded metal bracket.		150	0,82 €
			450	0,81 €
	High (mm): 59 Diameter (mm): 43,5 Colour: Esteatita Voltage In (Vac): 500 Intensidad In (A): 4 Temperature (°C): 180 Connection: Screw Socket: E27			

Reference: 042759



	AR1520241		1000	1,35 €
	Lampholder E27 F519 /SQ24/VTporcelain with 25cm 1x0.75 SIV			
	Square for fixing in a 10.2x7.2mm hole and 0.5-2mm sheet thickness. Ground connection With 25cm of 1x0.75 SIV cable			
	High (mm): 46,5 Diameter (mm): 43,5 Colour: Esteatita Voltage In (Vac): 500 Intensidad In (A): 4 Temperature (°C): 180 Connection: Screw Socket: E27			
	Reference: 043649			




ELECTRICAL EQUIPMENT > Lampholders > Lampholder Porcelain & Resin T230

Subfamily **Porcelain Lampholder E27**

Picture	Article	Description	Lot	Price/Unit
	AR8091210		1	0,91 €
	Escuadra metalica SQ21		100	0,61 €
			1000	0,4692 €
		Metal bracket with M10x1 thread and seat post locking screw. For 5800 / G8.5 porcelain and discharge lamp holders	3000	0,4557 €
		Reference: 012870		




	F1800D0		1	0,4235 €
	Porcelain Lampholder E-27 square M10/1		400	0,3388 €
		with M10x1 threaded metal bracket,	2400	0,3081 €
		High (mm): 62 Diameter (mm): 41,5 Colour: Esteatita Voltage In (Vac): 250 Intensidad In (A): 4 Temperature (°C): 270 Connection: Screw Socket: E27		




ELECTRICAL EQUIPMENT > Lampholders > Lampholder Porcelain & Resin T230

Subfamily **Porcelain Lampholder E27**


Picture	Article	Description	Lot	Price/Unit
	AR1560102		1	1,07 €
	Dome NIP for lampholder 93 white		50	0,67 €
	With metal nipple M10x1 and locking screw.		500	0,5221 €
			2000	0,5069 €
	High (mm): 38 Diameter (mm): 40 Colour: White Temperature (°C): 180 Socket: E27  Reference: 007545			



	AR1560132		1	1,34 €
	Dome NIP T for lampholder 93 white		50	0,83 €
	With metal nipple M10x1, locking screw and earth terminal.		500	0,65 €
			2000	0,63 €
	High (mm): 38 Diameter (mm): 40 Colour: White Temperature (°C): 180 Socket: E27  Reference: 007546			




Catalogue **ELECTRICAL EQUIPMENT**  
 Line **Lampholders**  
 FAmily **Lampholder Porcelain & Resin T230**  
 Subfamily **Porcelain Lampholder E40**

Picture	Article	Description	Lot	Price/Unit
	G100400		1	3,35 €
	Porcelain lampholder E40		60	2,93 €
		Material Steatite. For rigid or flexible cables 1,5-4mm	600	2,54 €
		High (mm): 79 Diameter (mm): 68,5 Colour: Esteatita Voltage In (Vac): 750 Intensidad In (A): 16 Temperature (°C): 270 Connection: Screw Socket: E40		

Catalogue **ELECTRICAL EQUIPMENT**  
 Line **Lampholders**  
 FAmily **Lampholder Porcelain & Resin T230**  
 Subfamily **Resin Lampholder E27 T230**

Picture	Article	Description	Lot	Price/Unit
	AR1410220		1	0,92 €
	Polyester lampholder E27 910/SQ22 T230 <sup>®</sup>		500	0,73 €
		With metal bracket treaded M10x1		
		High (mm): 46 Diameter (mm): 39 Colour: Beige Voltage In (Vac): 250 Intensidad In (A): 4 Temperature (°C): 230 Connection: Screw Socket: E27		




	AR1460110		50 (Pedido mínimo)	0,1984 €
	Dome 101 FPC beige		500	0,1551 €
		Fixing by pressure in holes 20x10mm and thickness 0,5-1,2mm. With hole 10mm exit cable		
		High (mm): 24,5 Diameter (mm): 43 Colour: Beige Temperature (°C): 180 Socket: E27		





ELECTRICAL EQUIPMENT &gt; Lampholders &gt; Lampholder Porcelain &amp; Resin T230

Subfamily **Resin Lampholder E27 T230**

Picture	Article	Description	Lot	Price/Unit
	AR1461200	Dome NIP para Lampholders 910 y 920 CP	50 (Pedido mínimo)	0,5214 €
		With metal nipple M10x1 and locking screw. For class II	500	0,4072 €
		High (mm): 51 Diameter (mm): 37 Colour: Beige Temperature (°C): 180 Socket: E27		


 arditi  
 LIGHTING INNOVATION
