

Catalogue **SWAROVSKI CRYSTAL**

Line **Strass Swarovski Crystal**

Family **Strass Knots and Handles**

Subfamily **Strass Handles**

**IMPORTANT NOTE: The STRASS and SPECTRA lines are out of production. Items in stock will be available while stocks last .**

Picture	Article	Description	Lot	Price/Unit
	112898803		1	30,64 €
	Cornet handle 7308/65mm Swarovski Crystal		9	24,51 €
			18	21,32 €
		Measures A 29,1 B 65 (+/-0,5mm) C 15 (+/-0,3mm) D 15,6 (+/-0,4mm) central hole 10 mm(+/-0,8mm)		

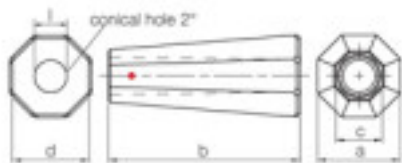


Reference: 1067455



	113798201		1	31,69 €
	Bracelet Spectrum 7303/60mm (ex 8988/200)		15	25,35 €
	Swarovski Crystal		30	22,04 €

Dimensions A=25,7mm(+/- 0.4mm) B=59,6mm (+/- 0.4mm) C=14.5mm(0.3mm +/-) D=23,9mm(+/- 0.5mm)



Length (mm): 59,6 Diameter (mm): 25,7  
Central Hole (mm): 10

Reference: 1067468



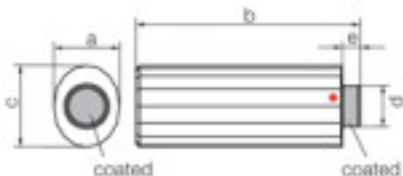
SWAROVSKI CRYSTAL > Strass Swarovski Crystal > Strass Knots and Handles

Subfamily **Strass Handles**

Picture	Article	Description	Lot	Price/Unit
	113798301		1	28,62 €
	Bracelet Stick 8988/300 001 15x54mm (ex 8988/300)		20	22,90 €
	CAL'V' Swarovski Cry		80	19,91 €

Dimensions A=15.8mm(0.3mm+/-)  
B=54.5mm(0.3mm+/-) C=19.8mm (0.3mm +/-)  
D=9.8mm(0.2mm +/-) E=4.9mm

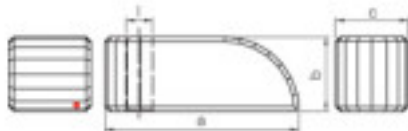
Length (mm): 54,5 Width (mm): 19,8



	113798606		1	44,74 €
	Cascade swarovski handle 8988/000 / 006 60mm		15	35,79 €
	Crystal		45	31,12 €

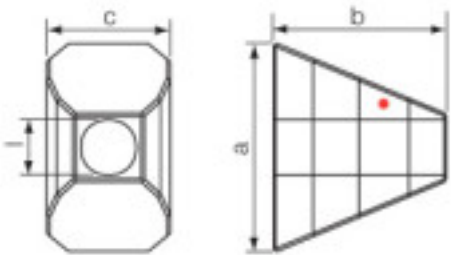

Measurements:A=60mm; B=23mm(+/- 0.3mm);  
C=21mm.central hole diameter 8.8mm(0.6mm +/-)

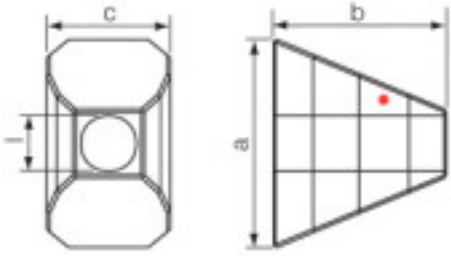

Length (mm): 60 Width (mm): 21 High (mm): 23



SWAROVSKI CRYSTAL > Strass Swarovski Crystal > Strass Knots and Handles

Subfamily **Strass Handles**

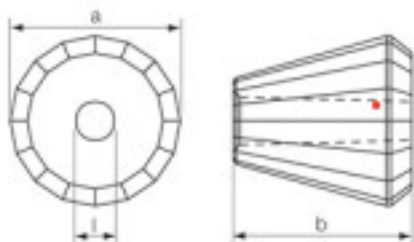
Picture	Article	Description	Lot	Price/Unit
	113798724	Handle Flame 8988/000 // 004 20mm CAL 'VZ'SI		
		Effect posterior coated in part. Dimensions: a=20mm, b=17mm, c=12.5 mm  Length (mm): 17 Width (mm): 12,5 High (mm): 20		
				

	113798750	Handle Flame 8988/000 // 004 50mm Crystal	1	33,61 €
		Effect partly coated posterior. Measurements : a=50, b=42(+/- 0.5mm) c=30, central bore 14 mm(+ / 0.8)	10	26,89 €
		Length (mm): 50 Width (mm): 30 High (mm): 42 Central Hole (mm): 14	20	23,38 €
				

SWAROVSKI CRYSTAL > Strass Swarovski Crystal > Strass Knots and Handles

Subfamily **Strass Handles**

Picture	Article	Description	Lot	Price/Unit
	113798830		1	9,99 €
	Handle 30mm crystal 8988/000/005		20	7,99 €
		Effect coated in close side .Measurementsa = 30 b = 31.5 (+/- 0.5mm) center hole 9 mm (+/- 0.8mm)	40	6,95 €



Length (mm): 31,5 Diameter (mm): 30





Catalogue **SWAROVSKI CRYSTAL**

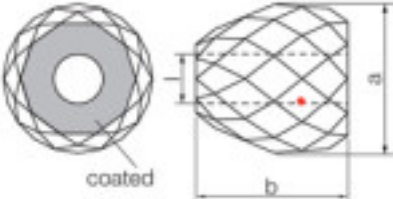

Line **Strass Swarovski Crystal**

Family **Strass Knots and Handles**

Subfamily **Strass Knots**

**IMPORTANT NOTE: The STRASS and SPECTRA lines are out of production. Items in stock will be available while stocks last .**

Picture	Article	Description	Lot	Price/Unit
	110806143		1	13,98 €
	Centerpart 7316 / 40mm Swarovski Crystal		20	11,19 €
	With effect CAL "VZ"SI in the basis for gluing		40	10,86 €
	High (mm): 39,5 Diameter (mm): 40 Colour: Transparent Central Hole (mm): 14			
				

	1108061Y4		1	20,92 €
	Centerpart 8061/40mm 402 JET		20	16,73 €
	High (mm): 39,5 Diameter (mm): 40 Colour: Black Central Hole (mm): 14		40	16,25 €
	Reference: 244252			
				

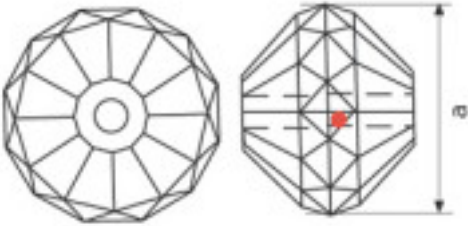

SWAROVSKI CRYSTAL &gt; Strass Swarovski Crystal &gt; Strass Knots and Handles

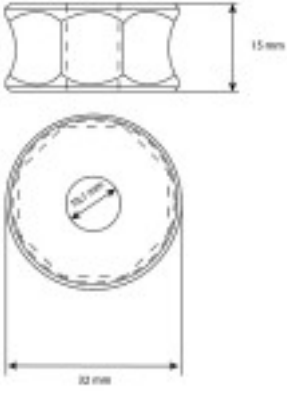

Subfamily **Strass Knots**

Picture	Article	Description	Lot	Price/Unit
	110806553		1	18,04 €
	Centerpart 7322 50mm CAL "VZ" SI		12	14,44 €
	With effect CAL "VZ"SI in the basis for gluing		36	12,55 €
	High (mm): 20 Diameter (mm): 50 Colour: Transparent Central Hole (mm): 14  Reference: 1066755			
				
	112806142		20 (Pedido mínimo)	10,54 €
	Center Part 8061/040 402 Swarovski Crystal			
	High (mm): 39,5 Diameter (mm): 40 Colour: Transparent Central Hole (mm): 14  Reference: 159487			
				

SWAROVSKI CRYSTAL > Strass Swarovski Crystal > Strass Knots and Handles

Subfamily **Strass Knots**

Picture	Article	Description	Lot	Price/Unit
	112806462	Center Part 8064/065 542 Swarovski Crystal	1	36,76 €
	Diameter (mm): 65 Colour: Transparent Central Hole (mm): 13,1			
				

	112806732	Center Part 8067/032 152 Swarovski Crystal	1	9,25 €
	Colour: Transparent		25	7,40 €
			100	6,44 €

SWAROVSKI CRYSTAL > Strass Swarovski Crystal > Strass Knots and Handles

Subfamily **Strass Knots**

Picture	Article	Description	Lot	Price/Unit
	1108065Y4		1	24,12 €
	Center part 8065/052/203 48mm Jet		12	19,30 €
		High (mm): 18 Diameter (mm): 48 Colour: Black Central Hole (mm): 29	36	16,78 €

