

Catalogue **METALLIC ACCESORIES**  
Line **Tubes Threaded Pipes and Nuts**  
FAMILY **Hex Nut**  
Subfamily **M8 Hex Nut**

| Picture | Article                    | Description                 | Lot  | Price/Unit |
|---------|----------------------------|-----------------------------|------|------------|
|         | 2811813                    |                             | 1    | 0,3676 €   |
|         | Galvanized nut M8x1 11x3mm |                             | 100  | 0,1379 €   |
|         |                            |                             | 1000 | 0,0551 €   |
|         |                            | Width (mm): 11 High (mm): 3 | 2000 | 0,0455 €   |



Catalogue **METALLIC ACCESORIES**  
 Line **Tubes Threaded Pipes and Nuts**  
 FAmily **Hex Nut**  
 Subfamily **M10 Hex Nut**

| Picture | Article                     | Description                 | Lot  | Price/Unit |
|---------|-----------------------------|-----------------------------|------|------------|
|         | 2811132                     |                             | 1    | 0,2886 €   |
|         | Galvanized nut 13x2mm M10x1 |                             | 100  | 0,1082 €   |
|         |                             |                             | 1000 | 0,0430 €   |
|         |                             | Width (mm): 13 High (mm): 2 | 2000 | 0,0354 €   |



|  |                             |                             |      |          |
|--|-----------------------------|-----------------------------|------|----------|
|  | 2811134                     |                             | 1    | 0,1937 € |
|  | Galvanized nut 13x4mm M10x1 |                             | 100  | 0,0727 € |
|  |                             |                             | 1000 | 0,0291 € |
|  |                             | Width (mm): 13 High (mm): 4 | 2000 | 0,0238 € |



METALLIC ACCESORIES > Tubes Threaded Pipes and Nuts > Hex Nut

Subfamily **M10 Hex Nut**

| Picture | Article                     | Description                 | Lot  | Price/Unit |
|---------|-----------------------------|-----------------------------|------|------------|
|         | 2811136                     |                             | 1    | 0,1933 €   |
|         | Galvanized nut M10x1 13x3mm |                             | 100  | 0,0725 €   |
|         |                             |                             | 1000 | 0,0290 €   |
|         |                             | Width (mm): 13 High (mm): 3 | 2000 | 0,0237 €   |



|  |                             |                             |      |          |
|--|-----------------------------|-----------------------------|------|----------|
|  | 2811138                     |                             | 1    | 0,2773 € |
|  | Galvanized nut M10x1 13x6mm |                             | 100  | 0,10 €   |
|  |                             |                             | 1000 | 0,0416 € |
|  |                             | Width (mm): 13 High (mm): 6 | 3000 | 0,0347 € |



Catalogue **METALLIC ACCESORIES**  
Line **Tubes Threaded Pipes and Nuts**  
FAMILY **Hex Nut**  
Subfamily **M13 Hex Nut**

| Picture | Article                     | Description                 | Lot  | Price/Unit |
|---------|-----------------------------|-----------------------------|------|------------|
|         | 2813175                     |                             | 1    | 1,01 €     |
|         | Galvanized nut M13x1 17x5mm |                             | 100  | 0,3774 €   |
|         |                             |                             | 1000 | 0,1509 €   |
|         |                             | Width (mm): 17 High (mm): 5 | 2000 | 0,1248 €   |



Catalogue **METALLIC ACCESORIES**  
 Line **Tubes Threaded Pipes and Nuts**  
 FAmily **Anti-rotation washers**  
 Subfamily **Anti-rotation washers**

| Picture | Article                                 | Description | Lot  | Price/Unit |
|---------|---|-------------|------|------------|
|         | 2811135                                 |             | 1    | 0,2068 €   |
|         | Antirotation washer diam.18mm hole 10.2 |             | 100  | 0,0775 €   |
|         |   |             | 1000 | 0,0309 €   |
|         | Diameter (mm): 18                       |             | 5000 | 0,0257 €   |



|  |  |  |      |          |
|--|--|--|------|----------|
|  | 2811137  |  | 1    | 0,1635 € |
|  | Antirotation washer diameter 14mm, hole 10.2mm |  | 100  | 0,0612 € |
|  |  |  | 1000 | 0,0244 € |
|  | Diameter (mm): 14                              |  | 5000 | 0,0202 € |




METALLIC ACCESORIES > Tubes Threaded Pipes and Nuts > Anti-rotation washers


Subfamily **Anti-rotation washers**

| Picture | Article | Description                                    | Lot  | Price/Unit |
|---------|---------|--|------|------------|
|         | 2813185 |  | 1    | 0,3674 €   |
|         |         | Antirotation washer diameter 22mm, hole 13.2mm | 100  | 0,1378 €   |
|         |         |  | 1000 | 0,0551 €   |
|         |         | Diameter (mm): 22                              | 3000 | 0,0454 €   |




Catalogue **METALLIC ACCESORIES**  
 Line **Tubes Threaded Pipes and Nuts**  
 FAmily **Threaded Tubes**  
 Subfamily **M8 Threaded round tubes**

| Picture   | Article                            | Description | Lot  | Price/Unit |
|---|------------------------------------|-------------|------|------------|
|  | 2808010                            |             | 1    | 0,65 €     |
|   | Galvanized threaded tube M8x1 10mm |             | 300  | 0,2435 €   |
|   | M8x1 outer thread                  |             | 3000 | 0,0974 €   |
|   | Length (mm): 10 Diameter (mm): 8   |             | 6000 | 0,0844 €   |
|   |                                    |             |      |            |

|   |                                    |  |      |          |
|---|------------------------------------|--|------|----------|
|  | 2808015                            |  | 1    | 0,67 €   |
|   | Galvanized threaded tube M8x1 15mm |  | 200  | 0,2529 € |
|   | M8x1 outer thread                  |  | 2000 | 0,1011 € |
|   | Length (mm): 15 Diameter (mm): 8   |  | 4000 | 0,0874 € |
|   |                                    |  |      |          |


METALLIC ACCESORIES > Tubes Threaded Pipes and Nuts > Threaded Tubes


Subfamily **M8 Threaded round tubes**

| Picture   | Article | Description                        | Lot  | Price/Unit |
|---|---------|------------------------------------|------|------------|
|  | 2808020 |                                    | 1    | 0,91 €     |
|   |         | Galvanized threaded tube M8x1 20mm | 150  | 0,3433 €   |
|   |         | M8x1 outer thread                  | 1500 | 0,1373 €   |
|   |         | Length (mm): 20 Diameter (mm): 8   | 3000 | 0,1184 €   |



Catalogue **METALLIC ACCESORIES**  
 Line **Tubes Threaded Pipes and Nuts**  
 FAmily **Threaded Tubes**  
 Subfamily **M10 Round Threaded Tubes 10 to 200mm.**

| Picture   | Article   | Description | Lot  | Price/Unit |
|---|---|-------------|------|------------|
|  | 2801010   |             | 1    | 0,2012 €   |
|   | Galvanized threaded tube M10x1 10mm                         |             | 500  | 0,0754 €   |
|   | External thread M10x1. Internal pitch of 6.8mm in diameter. |             | 2000 | 0,03 €     |
|   | Length (mm): 10 Diameter (mm): 10                           |             | 4000 | 0,0261 €   |

|   |   |  |      |          |
|---|---|--|------|----------|
|  | 2801012   |  | 1    | 0,20 €   |
|   | Galvanized threaded nippel M10x1 12mm                       |  | 500  | 0,0751 € |
|   | External thread M10x1. Internal pitch of 6.8mm in diameter. |  | 2000 | 0,0302 € |
|   | Length (mm): 12 Diameter (mm): 10                           |  | 4000 | 0,0263 € |

METALLIC ACCESORIES > Tubes Threaded Pipes and Nuts > Threaded Tubes

**Subfamily M10 Round Threaded Tubes 10 to 200mm.**


| Picture | Article   | Description | Lot  | Price/Unit |
|---------|---|-------------|------|------------|
|         | 2801013   |             | 1    | 0,1958 €   |
|         | Galvanized threaded nippel M10x1 13mm                       |             | 500  | 0,0754 €   |
|         | External thread M10x1. Internal pitch of 6.8mm in diameter. |             | 2000 | 0,0303 €   |
|         |   |             | 4000 | 0,0263 €   |
|         | Length (mm): 13 Diameter (mm): 10                           |             |      |            |


|  |   |  |      |          |
|--|---|--|------|----------|
|  | 2801015   |  | 1    | 0,2093 € |
|  | Galvanized threaded nippel M10x1 15mm                       |  | 500  | 0,0785 € |
|  | External thread M10x1. Internal pitch of 6.8mm in diameter. |  | 2000 | 0,0313 € |
|  |   |  | 4000 | 0,0272 € |
|  | Length (mm): 15 Diameter (mm): 10                           |  |      |          |


|  |   |  |      |          |
|--|---|--|------|----------|
|  | 2801017   |  | 1    | 0,2399 € |
|  | Galvanized threaded nippel M10x1 17mm                       |  | 500  | 0,09 €   |
|  | External thread M10x1. Internal pitch of 6.8mm in diameter. |  | 2000 | 0,0359 € |
|  |   |  | 4000 | 0,0309 € |
|  | Length (mm): 17 Diameter (mm): 10                           |  |      |          |

METALLIC ACCESORIES > Tubes Threaded Pipes and Nuts > Threaded Tubes

**Subfamily M10 Round Threaded Tubes 10 to 200mm.**


| Picture   | Article   | Description | Lot  | Price/Unit |
|---|---|-------------|------|------------|
|  | 2801018   |             | 1    | 0,2497 €   |
|   | Galvanized threaded nipple M10x1 18mm                       |             | 500  | 0,0936 €   |
|   | External thread M10x1. Internal pitch of 6.8mm in diameter. |             | 2000 | 0,0374 €   |
|   |   |             | 4000 | 0,0321 €   |
|   | Length (mm): 18 Diameter (mm): 10                           |             |      |            |


|   |   |  |      |          |
|---|---|--|------|----------|
|  | 2801020   |  | 1    | 0,2839 € |
|   | Galvanized threaded tube M10x1 20mm                         |  | 500  | 0,1065 € |
|   | External thread M10x1. Internal pitch of 6.8mm in diameter. |  | 2000 | 0,0425 € |
|   |   |  | 4000 | 0,0369 € |
|   | Length (mm): 20 Diameter (mm): 10                           |  |      |          |


|   |   |  |      |          |
|---|---|--|------|----------|
|  | 2801025   |  | 1    | 0,3530 € |
|   | Galvanized threaded tube M10x1 25mm                         |  | 300  | 0,1322 € |
|   | External thread M10x1. Internal pitch of 6.8mm in diameter. |  | 1500 | 0,0529 € |
|   |   |  | 4500 | 0,0458 € |
|   | Length (mm): 25 Diameter (mm): 10                           |  |      |          |

METALLIC ACCESORIES > Tubes Threaded Pipes and Nuts > Threaded Tubes

**Subfamily M10 Round Threaded Tubes 10 to 200mm.**

| Picture   | Article   | Description | Lot  | Price/Unit |
|---|---|-------------|------|------------|
|  | 2801027   |             | 1    | 0,3831 €   |
|   | Galvanized threaded tube M10x1 27mm                         |             | 300  | 0,1437 €   |
|   | External thread M10x1. Internal pitch of 6.8mm in diameter. |             | 1000 | 0,0575 €   |
|   |   |             | 3000 | 0,0494 €   |
|   | Length (mm): 27 Diameter (mm): 10                           |             |      |            |

|   |   |  |      |          |
|---|---|--|------|----------|
|  | 2801030   |  | 1    | 0,4282 € |
|   | Galvanized threaded tube M10x1 30mm                         |  | 300  | 0,1603 € |
|   | External thread M10x1. Internal pitch of 6.8mm in diameter. |  | 1000 | 0,0644 € |
|   |   |  | 3000 | 0,0551 € |
|   | Length (mm): 30 Diameter (mm): 10                           |  |      |          |

|   |   |  |      |          |
|---|---|--|------|----------|
|  | 2801035   |  | 1    | 0,4976 € |
|   | Galvanized threaded tube M10x1 35mm                         |  | 200  | 0,1864 € |
|   | External thread M10x1. Internal pitch of 6.8mm in diameter. |  | 1000 | 0,0746 € |
|   |   |  | 3000 | 0,0647 € |
|   | Length (mm): 35 Diameter (mm): 10                           |  |      |          |

METALLIC ACCESORIES > Tubes Threaded Pipes and Nuts > Threaded Tubes

**Subfamily M10 Round Threaded Tubes 10 to 200mm.**


| Picture | Article   | Description | Lot  | Price/Unit |
|---------|---|-------------|------|------------|
|         | 2801040   |             | 1    | 0,5646 €   |
|         | Galvanized threaded tube M10x1 40mm                         |             | 100  | 0,2118 €   |
|         | External thread M10x1. Internal pitch of 6.8mm in diameter. |             | 500  | 0,0848 €   |
|         |   |             | 2500 | 0,0735 €   |
|         | Length (mm): 40 Diameter (mm): 10                           |             |      |            |


|  |   |  |      |          |
|--|---|--|------|----------|
|  | 2801045   |  | 1    | 0,64 €   |
|  | Galvanized threaded tube M10x1 45mm                         |  | 100  | 0,2399 € |
|  | External thread M10x1. Internal pitch of 6.8mm in diameter. |  | 500  | 0,0958 € |
|  |   |  | 2000 | 0,0827 € |
|  | Length (mm): 45 Diameter (mm): 10                           |  |      |          |


|  |   |  |      |          |
|--|---|--|------|----------|
|  | 2801050   |  | 1    | 0,70 €   |
|  | Galvanized threaded tube M10x1 50mm                         |  | 100  | 0,2642 € |
|  | External thread M10x1. Internal pitch of 6.8mm in diameter. |  | 450  | 0,1058 € |
|  |   |  | 1800 | 0,0915 € |
|  | Length (mm): 50 Diameter (mm): 10                           |  |      |          |

METALLIC ACCESORIES > Tubes Threaded Pipes and Nuts > Threaded Tubes

**Subfamily M10 Round Threaded Tubes 10 to 200mm.**


| Picture   | Article   | Description | Lot  | Price/Unit |
|---|---|-------------|------|------------|
|  | 2801055   |             | 1    | 0,81 €     |
|   | Galvanized threaded tube M10x1 55mm                         |             | 100  | 0,3011 €   |
|   | External thread M10x1. Internal pitch of 6.8mm in diameter. |             | 500  | 0,1205 €   |
|   |   |             | 1500 | 0,1041 €   |
|   | Length (mm): 55 Diameter (mm): 10                           |             |      |            |


|   |   |  |      |          |
|---|---|--|------|----------|
|  | 2801060   |  | 1    | 0,85 €   |
|   | Galvanized threaded tube M10x1 60mm                         |  | 100  | 0,3173 € |
|   | External thread M10x1. Internal pitch of 6.8mm in diameter. |  | 500  | 0,1269 € |
|   |   |  | 1500 | 0,1101 € |
|   | Length (mm): 60 Diameter (mm): 10                           |  |      |          |


|   |   |  |      |          |
|---|---|--|------|----------|
|  | 2801065   |  | 1    | 0,92 €   |
|   | Galvanized threaded tube M10x1 65mm                         |  | 50   | 0,3446 € |
|   | External thread M10x1. Internal pitch of 6.8mm in diameter. |  | 300  | 0,1378 € |
|   |   |  | 1200 | 0,1191 € |
|   | Length (mm): 65 Diameter (mm): 10                           |  |      |          |

METALLIC ACCESORIES > Tubes Threaded Pipes and Nuts > Threaded Tubes

**Subfamily M10 Round Threaded Tubes 10 to 200mm.**


| Picture   | Article   | Description | Lot | Price/Unit |
|---|---|-------------|-----|------------|
|  | 2801070   |             | 1   | 0,99 €     |
|   | Galvanized threaded tube M10x1 70mm                         |             | 50  | 0,3709 €   |
|   | External thread M10x1. Internal pitch of 6.8mm in diameter. |             | 300 | 0,1485 €   |
|   |   |             | 900 | 0,1287 €   |
|   | Length (mm): 70 Diameter (mm): 10                           |             |     |            |


|   |   |  |      |          |
|---|---|--|------|----------|
|  | 2801075   |  | 1    | 1,07 €   |
|   | Galvanized threaded tube M10x1 75mm                         |  | 50   | 0,3985 € |
|   | External thread M10x1. Internal pitch of 6.8mm in diameter. |  | 250  | 0,1595 € |
|   |   |  | 1000 | 0,1382 € |
|   | Length (mm): 75 Diameter (mm): 10                           |  |      |          |


|   |   |  |      |          |
|---|---|--|------|----------|
|  | 2801080   |  | 1    | 1,12 €   |
|   | Galvanized threaded tube M10x1 80mm                         |  | 50   | 0,4242 € |
|   | External thread M10x1. Internal pitch of 6.8mm in diameter. |  | 250  | 0,1695 € |
|   |   |  | 1000 | 0,1468 € |
|   | Length (mm): 80 Diameter (mm): 10                           |  |      |          |

METALLIC ACCESORIES > Tubes Threaded Pipes and Nuts > Threaded Tubes

**Subfamily M10 Round Threaded Tubes 10 to 200mm.**

| Picture   | Article   | Description | Lot  | Price/Unit |
|---|---|-------------|------|------------|
|  | 2801085   |             | 1    | 1,35 €     |
|   | Galvanized threaded tube M10x1 85mm                         |             | 50   | 0,5077 €   |
|   | External thread M10x1. Internal pitch of 6.8mm in diameter. |             | 250  | 0,2031 €   |
|   |   |             | 1000 | 0,1767 €   |
|   | Length (mm): 85 Diameter (mm): 10                           |             |      |            |


|   |   |  |      |          |
|---|---|--|------|----------|
|  | 2801090   |  | 1    | 1,27 €   |
|   | Galvanized threaded tube M10x1 90mm                         |  | 50   | 0,4775 € |
|   | External thread M10x1. Internal pitch of 6.8mm in diameter. |  | 250  | 0,1911 € |
|   |   |  | 1000 | 0,1655 € |
|   | Length (mm): 90 Diameter (mm): 10                           |  |      |          |


|   |   |  |      |          |
|---|---|--|------|----------|
|  | 2801095   |  | 1    | 1,35 €   |
|   | Galvanized threaded tube M10x1 95mm                         |  | 50   | 0,5052 € |
|   | External thread M10x1. Internal pitch of 6.8mm in diameter. |  | 200  | 0,2022 € |
|   |   |  | 1000 | 0,1750 € |
|   | Length (mm): 95 Diameter (mm): 10                           |  |      |          |




METALLIC ACCESORIES > Tubes Threaded Pipes and Nuts > Threaded Tubes

Subfamily **M10 Round Threaded Tubes 10 to 200mm.**


| Picture   | Article   | Description | Lot | Price/Unit |
|---|---|-------------|-----|------------|
|  | 2801100   |             | 1   | 1,43 €     |
|   | Galvanized threaded tube M10x1 100mm                        |             | 50  | 0,5314 €   |
|   | External thread M10x1. Internal pitch of 6.8mm in diameter. |             | 200 | 0,2126 €   |
|   |   |             | 800 | 0,1840 €   |
|   | Length (mm): 100 Diameter (mm): 10                          |             |     |            |


|   |   |  |     |          |
|---|---|--|-----|----------|
|  | 2801105   |  | 1   | 1,48 €   |
|   | Galvanized threaded tube M10x1 105mm                        |  | 50  | 0,56 €   |
|   | External thread M10x1. Internal pitch of 6.8mm in diameter. |  | 200 | 0,2233 € |
|   |   |  | 800 | 0,1933 € |
|   | Length (mm): 105 Diameter (mm): 10                          |  |     |          |


|   |   |  |     |          |
|---|---|--|-----|----------|
|  | 2801110   |  | 1   | 1,55 €   |
|   | Galvanized threaded tube M10x1 110mm                        |  | 50  | 0,5840 € |
|   | External thread M10x1. Internal pitch of 6.8mm in diameter. |  | 200 | 0,2335 € |
|   |   |  | 800 | 0,2023 € |
|   | Length (mm): 110 Diameter (mm): 10                          |  |     |          |

METALLIC ACCESORIES > Tubes Threaded Pipes and Nuts > Threaded Tubes

**Subfamily M10 Round Threaded Tubes 10 to 200mm.**


| Picture   | Article   | Description | Lot | Price/Unit |
|---|---|-------------|-----|------------|
|  | 2801115   |             | 1   | 1,63 €     |
|   | Galvanized threaded tube M10x1 115mm                        |             | 50  | 0,61 €     |
|   | External thread M10x1. Internal pitch of 6.8mm in diameter. |             | 200 | 0,2443 €   |
|   |   |             | 800 | 0,2116 €   |
|   | Length (mm): 115 Diameter (mm): 10                          |             |     |            |


|   |   |  |     |          |
|---|---|--|-----|----------|
|  | 2801120   |  | 1   | 1,70 €   |
|   | Galvanized threaded tube M10x1 120mm                        |  | 50  | 0,64 €   |
|   | External thread M10x1. Internal pitch of 6.8mm in diameter. |  | 200 | 0,2548 € |
|   |   |  | 800 | 0,2205 € |
|   | Length (mm): 120 Diameter (mm): 10                          |  |     |          |


|   |   |  |     |          |
|---|---|--|-----|----------|
|  | 2801125   |  | 1   | 1,76 €   |
|   | Galvanized threaded tube M10x1 125mm                        |  | 50  | 0,66 €   |
|   | External thread M10x1. Internal pitch of 6.8mm in diameter. |  | 200 | 0,2656 € |
|   |   |  | 800 | 0,2301 € |
|   | Length (mm): 125 Diameter (mm): 10                          |  |     |          |

METALLIC ACCESORIES > Tubes Threaded Pipes and Nuts > Threaded Tubes

**Subfamily M10 Round Threaded Tubes 10 to 200mm.**


| Picture   | Article   | Description | Lot | Price/Unit |
|---|---|-------------|-----|------------|
|  | 2801130   |             | 1   | 1,83 €     |
|   | Galvanized threaded tube M10x1 130mm                        |             | 50  | 0,69 €     |
|   | External thread M10x1. Internal pitch of 6.8mm in diameter. |             | 200 | 0,2765 €   |
|   |   |             | 600 | 0,2393 €   |
|   | Length (mm): 130 Diameter (mm): 10                          |             |     |            |


|   |   |  |     |          |
|---|---|--|-----|----------|
|  | 2801135   |  | 1   | 1,91 €   |
|   | Galvanized threaded tube M10x1 135mm                        |  | 50  | 0,72 €   |
|   | External thread M10x1. Internal pitch of 6.8mm in diameter. |  | 200 | 0,2872 € |
|   |   |  | 600 | 0,2486 € |
|   | Length (mm): 135 Diameter (mm): 10                          |  |     |          |


|   |   |  |     |          |
|---|---|--|-----|----------|
|  | 2801140   |  | 1   | 1,99 €   |
|   | Galvanized threaded tube M10x1 140mm                        |  | 50  | 0,74 €   |
|   | External thread M10x1. Internal pitch of 6.8mm in diameter. |  | 200 | 0,2980 € |
|   |   |  | 600 | 0,2579 € |
|   | Length (mm): 140 Diameter (mm): 10                          |  |     |          |

METALLIC ACCESORIES > Tubes Threaded Pipes and Nuts > Threaded Tubes

**Subfamily M10 Round Threaded Tubes 10 to 200mm.**


| Picture   | Article   | Description | Lot | Price/Unit |
|---|---|-------------|-----|------------|
|  | 2801145   |             | 1   | 2,07 €     |
|   | Galvanized threaded tube M10x1 145mm                        |             | 50  | 0,77 €     |
|   | External thread M10x1. Internal pitch of 6.8mm in diameter. |             | 200 | 0,3084 €   |
|   |   |             | 600 | 0,2669 €   |
|   | Length (mm): 145 Diameter (mm): 10                          |             |     |            |


|   |   |  |     |          |
|---|---|--|-----|----------|
|  | 2801150   |  | 1   | 2,12 €   |
|   | Galvanized threaded tube M10x1 150mm                        |  | 50  | 0,79 €   |
|   | External thread M10x1. Internal pitch of 6.8mm in diameter. |  | 200 | 0,3189 € |
|   |   |  | 600 | 0,2761 € |
|   | Length (mm): 150 Diameter (mm): 10                          |  |     |          |


|   |   |  |      |          |
|---|---|--|------|----------|
|  | 2801160   |  | 1    | 2,54 €   |
|   | Galvanized threaded tube M10x1 160mm                        |  | 50   | 0,96 €   |
|   | External thread M10x1. Internal pitch of 6.8mm in diameter. |  | 600  | 0,3819 € |
|   |   |  | 1200 | 0,3322 € |
|   | Length (mm): 160 Diameter (mm): 10                          |  |      |          |

METALLIC ACCESORIES > Tubes Threaded Pipes and Nuts > Threaded Tubes

**Subfamily M10 Round Threaded Tubes 10 to 200mm.**


| Picture   | Article   | Description | Lot  | Price/Unit |
|---|---|-------------|------|------------|
|  | 2801165   |             | 1    | 2,33 €     |
|   | Galvanized threaded tube M10x1 165mm                        |             | 50   | 0,87 €     |
|   | External thread M10x1. Internal pitch of 6.8mm in diameter. |             | 600  | 0,3494 €   |
|   |   |             | 1200 | 0,3026 €   |
|   | Length (mm): 165 Diameter (mm): 10                          |             |      |            |


|   |   |  |      |          |
|---|---|--|------|----------|
|  | 2801170   |  | 1    | 2,44 €   |
|   | Galvanized threaded tube M10x1 170mm                        |  | 50   | 0,90 €   |
|   | External thread M10x1. Internal pitch of 6.8mm in diameter. |  | 600  | 0,3613 € |
|   |   |  | 1200 | 0,3130 € |
|   | Length (mm): 170 Diameter (mm): 10                          |  |      |          |


|   |   |  |      |          |
|---|---|--|------|----------|
|  | 2801175   |  | 1    | 2,51 €   |
|   | Galvanized threaded tube M10x1 175mm                        |  | 50   | 0,92 €   |
|   | External thread M10x1. Internal pitch of 6.8mm in diameter. |  | 600  | 0,3726 € |
|   |   |  | 1200 | 0,3221 € |
|   | Length (mm): 175 Diameter (mm): 10                          |  |      |          |

METALLIC ACCESORIES > Tubes Threaded Pipes and Nuts > Threaded Tubes

**Subfamily M10 Round Threaded Tubes 10 to 200mm.**


| Picture   | Article   | Description | Lot  | Price/Unit |
|---|---|-------------|------|------------|
|  | 2801180   |             | 1    | 2,56 €     |
|   | Galvanized threaded tube M10x1 180mm                        |             | 50   | 0,95 €     |
|   | External thread M10x1. Internal pitch of 6.8mm in diameter. |             | 600  | 0,3821 €   |
|   |   |             | 1200 | 0,3311 €   |
|   | Length (mm): 180 Diameter (mm): 10                          |             |      |            |

|   |   |  |      |          |
|---|---|--|------|----------|
|  | 2801185   |  | 1    | 2,63 €   |
|   | Galvanized threaded tube M10x1 185mm                        |  | 50   | 0,99 €   |
|   | External thread M10x1. Internal pitch of 6.8mm in diameter. |  | 500  | 0,3934 € |
|   |   |  | 1000 | 0,3403 € |
|   | Length (mm): 185 Diameter (mm): 10                          |  |      |          |


|   |   |  |      |          |
|---|---|--|------|----------|
|  | 2801190   |  | 1    | 2,70 €   |
|   | Galvanized threaded tube M10x1 190mm                        |  | 50   | 1,00 €   |
|   | External thread M10x1. Internal pitch of 6.8mm in diameter. |  | 500  | 0,4040 € |
|   |   |  | 1000 | 0,3498 € |
|   | Length (mm): 190 Diameter (mm): 10                          |  |      |          |


METALLIC ACCESORIES > Tubes Threaded Pipes and Nuts > Threaded Tubes

**Subfamily M10 Round Threaded Tubes 10 to 200mm.**

| Picture   | Article | Description   | Lot  | Price/Unit |
|---|---------|---|------|------------|
|  | 2801200 |   | 1    | 2,83 €     |
|   |         | Galvanized threaded tube M10x1 200mm                        | 50   | 1,07 €     |
|   |         | External thread M10x1. Internal pitch of 6.8mm in diameter. | 500  | 0,4252 €   |
|   |         | Length (mm): 200 Diameter (mm): 10                          | 1000 | 0,3682 €   |

Catalogue **METALLIC ACCESORIES**  
 Line **Tubes Threaded Pipes and Nuts**  
 FAmily **Threaded Tubes**  
 Subfamily **M10 Round Threaded Tubes 201 to 500mm.**


| Picture   | Article   | Description | Lot  | Price/Unit |
|---|---|-------------|------|------------|
|  | 2801210   |             | 1    | 2,99 €     |
|   | Galvanized threaded tube M10x1 210mm                        |             | 50   | 1,11 €     |
|   | External thread M10x1. Internal pitch of 6.8mm in diameter. |             | 500  | 0,4471 €   |
|   | Length (mm): 210 Diameter (mm): 10                          |             | 1000 | 0,3871 €   |


|   |   |  |      |          |
|---|---|--|------|----------|
|  | 2801215   |  | 1    | 3,02 €   |
|   | Galvanized threaded tube M10x1 215mm                        |  | 50   | 1,14 €   |
|   | External thread M10x1. Internal pitch of 6.8mm in diameter. |  | 500  | 0,4572 € |
|   | Length (mm): 215 Diameter (mm): 10                          |  | 1000 | 0,3960 € |




METALLIC ACCESORIES > Tubes Threaded Pipes and Nuts > Threaded Tubes

Subfamily **M10 Round Threaded Tubes 201 to 500mm.**


| Picture   | Article   | Description | Lot  | Price/Unit |
|---|---|-------------|------|------------|
|  | 2801220   |             | 1    | 3,11 €     |
|   | Galvanized threaded tube M10x1 220mm                        |             | 50   | 1,17 €     |
|   | External thread M10x1. Internal pitch of 6.8mm in diameter. |             | 500  | 0,4683 €   |
|   | Length (mm): 220 Diameter (mm): 10                          |             | 1000 | 0,4056 €   |


|   |   |  |      |          |
|---|---|--|------|----------|
|  | 2801230   |  | 1    | 4,07 €   |
|   | Galvanized threaded tube M10x1 230mm                        |  | 30   | 1,53 €   |
|   | External thread M10x1. Internal pitch of 6.8mm in diameter. |  | 500  | 0,61 €   |
|   | Length (mm): 230 Diameter (mm): 10                          |  | 1000 | 0,5318 € |


|   |                                      |  |                     |          |
|---|--------------------------------------|--|---------------------|----------|
|  | 2801235                              |  | 400 (Pedido mínimo) | 1,44 €   |
|   | Galvanized threaded tube 235mm M10/1 |  | 800                 | 0,4850 € |
|   | Length (mm): 235 Diameter (mm): 10   |  | 1200                | 0,4199 € |

METALLIC ACCESORIES > Tubes Threaded Pipes and Nuts > Threaded Tubes

**Subfamily M10 Round Threaded Tubes 201 to 500mm.**


| Picture   | Article   | Description | Lot | Price/Unit |
|---|---|-------------|-----|------------|
|  | 2801240   |             | 1   | 3,42 €     |
|   | Galvanized threaded tube M10x1 240mm                        |             | 30  | 1,27 €     |
|   | External thread M10x1. Internal pitch of 6.8mm in diameter. |             | 400 | 0,5099 €   |
|   |   |             | 800 | 0,4414 €   |
|   | Length (mm): 240 Diameter (mm): 10                          |             |     |            |


|   |   |  |     |          |
|---|---|--|-----|----------|
|  | 2801250   |  | 1   | 3,54 €   |
|   | Galvanized threaded tube M10x1 250mm                        |  | 30  | 1,34 €   |
|   | External thread M10x1. Internal pitch of 6.8mm in diameter. |  | 400 | 0,5322 € |
|   |   |  | 800 | 0,4606 € |
|   | Length (mm): 250 Diameter (mm): 10                          |  |     |          |


|   |   |  |     |          |
|---|---|--|-----|----------|
|  | 2801255   |  | 1   | 3,60 €   |
|   | Galvanized threaded tube M10x1 255mm                        |  | 30  | 1,35 €   |
|   | External thread M10x1. Internal pitch of 6.8mm in diameter. |  | 400 | 0,5421 € |
|   |   |  | 800 | 0,4693 € |
|   | Length (mm): 255 Diameter (mm): 10                          |  |     |          |

METALLIC ACCESORIES > Tubes Threaded Pipes and Nuts > Threaded Tubes

Subfamily **M10 Round Threaded Tubes 201 to 500mm.**


| Picture   | Article   | Description | Lot | Price/Unit |
|---|---|-------------|-----|------------|
|  | 2801260   |             | 1   | 3,68 €     |
|   | Galvanized threaded tube M10x1 260mm                        |             | 30  | 1,38 €     |
|   | External thread M10x1. Internal pitch of 6.8mm in diameter. |             | 400 | 0,5546 €   |
|   |   |             | 800 | 0,4802 €   |
|   | Length (mm): 260 Diameter (mm): 10                          |             |     |            |


|   |   |  |     |          |
|---|---|--|-----|----------|
|  | 2801270   |  | 1   | 3,84 €   |
|   | Galvanized threaded tube M10x1 270mm                        |  | 30  | 1,44 €   |
|   | External thread M10x1. Internal pitch of 6.8mm in diameter. |  | 400 | 0,5750 € |
|   |   |  | 800 | 0,4978 € |
|   | Length (mm): 270 Diameter (mm): 10                          |  |     |          |


|   |   |  |     |          |
|---|---|--|-----|----------|
|  | 2801280   |  | 1   | 3,98 €   |
|   | Galvanized threaded tube M10x1 280mm                        |  | 30  | 1,50 €   |
|   | External thread M10x1. Internal pitch of 6.8mm in diameter. |  | 400 | 0,5966 € |
|   |   |  | 800 | 0,5162 € |
|   | Length (mm): 280 Diameter (mm): 10                          |  |     |          |

METALLIC ACCESORIES > Tubes Threaded Pipes and Nuts > Threaded Tubes

Subfamily **M10 Round Threaded Tubes 201 to 500mm.**




| Picture   | Article   | Description | Lot | Price/Unit |
|---|---|-------------|-----|------------|
|  | 2801285   |             | 1   | 4,04 €     |
|   | Galvanized threaded tube M10x1 285mm                        |             | 30  | 1,51 €     |
|   | External thread M10x1. Internal pitch of 6.8mm in diameter. |             | 400 | 0,61 €     |
|   |   |             | 800 | 0,5247 €   |
|   | Length (mm): 285 Diameter (mm): 10                          |             |     |            |

|   |   |  |     |          |
|---|---|--|-----|----------|
|  | 2801295   |  | 1   | 4,13 €   |
|   | Galvanized threaded tube M10x1 295mm                        |  | 30  | 1,56 €   |
|   | External thread M10x1. Internal pitch of 6.8mm in diameter. |  | 400 | 0,62 €   |
|   |   |  | 800 | 0,5407 € |
|   | Length (mm): 295 Diameter (mm): 10                          |  |     |          |

|   |   |  |     |          |
|---|---|--|-----|----------|
|  | 2801300   |  | 1   | 4,23 €   |
|   | Galvanized threaded tube M10x1 300mm                        |  | 30  | 1,61 €   |
|   | External thread M10x1. Internal pitch of 6.8mm in diameter. |  | 400 | 0,64 €   |
|   |   |  | 800 | 0,5519 € |
|   | Length (mm): 300 Diameter (mm): 10                          |  |     |          |

METALLIC ACCESORIES > Tubes Threaded Pipes and Nuts > Threaded Tubes

Subfamily **M10 Round Threaded Tubes 201 to 500mm.**

| Picture   | Article | Description   | Lot                 | Price/Unit |
|---|---------|---|---------------------|------------|
|    | 2801305 | Galvanized threaded tube 305mm M10/1                        | 300 (Pedido mínimo) | 1,90 €     |
|   |         | Length (mm): 305 Diameter (mm): 10                          | 600                 | 0,63 €     |
|   |         |   | 900                 | 0,5451 €   |
|  | 2801310 | Galvanized threaded tube M10x1 310mm                        | 1                   | 4,41 €     |
|   |         | External thread M10x1. Internal pitch of 6.8mm in diameter. | 30                  | 1,64 €     |
|   |         | Length (mm): 310 Diameter (mm): 10                          | 300                 | 0,66 €     |
|   |         |   | 600                 | 0,5706 €   |
|  | 2801315 | Galvanized threaded tube 315mm M10/1                        | 1                   | 4,49 €     |
|   |         | External thread M10x1. Internal pitch of 6.8mm in diameter. | 30                  | 1,68 €     |
|   |         | Length (mm): 315 Diameter (mm): 10                          | 600                 | 0,67 €     |
|   |         |   | 900                 | 0,5810 €   |

METALLIC ACCESORIES > Tubes Threaded Pipes and Nuts > Threaded Tubes

**Subfamily M10 Round Threaded Tubes 201 to 500mm.**


| Picture | Article   | Description | Lot | Price/Unit |
|---------|---|-------------|-----|------------|
|         | 2801320   |             | 1   | 4,55 €     |
|         | Galvanized threaded tube M10x1 320mm                        |             | 30  | 1,70 €     |
|         | External thread M10x1. Internal pitch of 6.8mm in diameter. |             | 300 | 0,68 €     |
|         |   |             | 600 | 0,5894 €   |
|         | Length (mm): 320 Diameter (mm): 10                          |             |     |            |


|  |   |  |     |          |
|--|---|--|-----|----------|
|  | 2801325   |  | 1   | 4,63 €   |
|  | Galvanized threaded tube 325mm M10/1                        |  | 30  | 1,73 €   |
|  | External thread M10x1. Internal pitch of 6.8mm in diameter. |  | 600 | 0,69 €   |
|  |   |  | 900 | 0,5891 € |
|  | Length (mm): 325 Diameter (mm): 10                          |  |     |          |


|  |   |  |     |        |
|--|---|--|-----|--------|
|  | 2801330   |  | 1   | 4,65 € |
|  | Galvanized threaded tube M10x1 330mm                        |  | 30  | 1,74 € |
|  | External thread M10x1. Internal pitch of 6.8mm in diameter. |  | 300 | 0,70 € |
|  |   |  | 600 | 0,61 € |
|  | Length (mm): 330 Diameter (mm): 10                          |  |     |        |

METALLIC ACCESORIES > Tubes Threaded Pipes and Nuts > Threaded Tubes

Subfamily **M10 Round Threaded Tubes 201 to 500mm.**


| Picture   | Article   | Description | Lot | Price/Unit |
|---|---|-------------|-----|------------|
|  | 2801340   |             | 1   | 4,81 €     |
|   | Galvanized threaded tube M10x1 340mm                        |             | 30  | 1,81 €     |
|   | External thread M10x1. Internal pitch of 6.8mm in diameter. |             | 300 | 0,72 €     |
|   |   |             | 600 | 0,63 €     |
|   | Length (mm): 340 Diameter (mm): 10                          |             |     |            |


|   |   |  |     |        |
|---|---|--|-----|--------|
|  | 2801350   |  | 1   | 4,97 € |
|   | Galvanized threaded tube M10x1 350mm                        |  | 30  | 1,86 € |
|   | External thread M10x1. Internal pitch of 6.8mm in diameter. |  | 300 | 0,75 € |
|   |   |  | 600 | 0,65 € |
|   | Length (mm): 350 Diameter (mm): 10                          |  |     |        |


|   |   |  |     |        |
|---|---|--|-----|--------|
|  | 2801360   |  | 1   | 5,10 € |
|   | Galvanized threaded tube M10x1 360mm                        |  | 20  | 1,91 € |
|   | External thread M10x1. Internal pitch of 6.8mm in diameter. |  | 300 | 0,77 € |
|   |   |  | 600 | 0,66 € |
|   | Length (mm): 360 Diameter (mm): 10                          |  |     |        |

METALLIC ACCESORIES > Tubes Threaded Pipes and Nuts > Threaded Tubes

Subfamily **M10 Round Threaded Tubes 201 to 500mm.**

| Picture   | Article   | Description | Lot | Price/Unit |
|---|---|-------------|-----|------------|
|  | 2801370   |             | 1   | 5,25 €     |
|   | Galvanized threaded tube M10x1 370mm                        |             | 20  | 1,98 €     |
|   | External thread M10x1. Internal pitch of 6.8mm in diameter. |             | 300 | 0,79 €     |
|   |   |             | 600 | 0,68 €     |
|   | Length (mm): 370 Diameter (mm): 10                          |             |     |            |


|   |   |  |     |        |
|---|---|--|-----|--------|
|  | 2801375   |  | 1   | 5,32 € |
|   | Galvanized threaded tube 375mm M10/1                        |  | 20  | 2,00 € |
|   | External thread M10x1. Internal pitch of 6.8mm in diameter. |  | 600 | 0,79 € |
|   |   |  | 900 | 0,69 € |
|   | Length (mm): 375 Diameter (mm): 10                          |  |     |        |


|   |   |  |     |        |
|---|---|--|-----|--------|
|  | 2801380   |  | 1   | 5,40 € |
|   | Galvanized threaded tube M10x1 380mm                        |  | 20  | 2,03 € |
|   | External thread M10x1. Internal pitch of 6.8mm in diameter. |  | 300 | 0,81 € |
|   |   |  | 600 | 0,70 € |
|   | Length (mm): 380 Diameter (mm): 10                          |  |     |        |




METALLIC ACCESORIES > Tubes Threaded Pipes and Nuts > Threaded Tubes

**Subfamily M10 Round Threaded Tubes 201 to 500mm.**


| Picture   | Article   | Description | Lot | Price/Unit |
|---|---|-------------|-----|------------|
|  | 2801390   |             | 1   | 4,12 €     |
|   | Galvanized threaded tube M10x1 390mm                        |             | 20  | 2,08 €     |
|   | External thread M10x1. Internal pitch of 6.8mm in diameter. |             | 300 | 0,83 €     |
|   |   |             | 600 | 0,72 €     |
|   | Length (mm): 390 Diameter (mm): 10                          |             |     |            |


|   |   |  |     |        |
|---|---|--|-----|--------|
|  | 2801395   |  | 1   | 4,21 € |
|   | Galvanized threaded tube 395mm M10/1                        |  | 20  | 2,09 € |
|   | External thread M10x1. Internal pitch of 6.8mm in diameter. |  | 600 | 0,85 € |
|   |   |  | 900 | 0,73 € |
|   | Length (mm): 395 Diameter (mm): 10                          |  |     |        |


|   |   |  |     |        |
|---|---|--|-----|--------|
|  | 2801400   |  | 1   | 4,26 € |
|   | Galvanized threaded tube M10x1 400mm                        |  | 20  | 2,12 € |
|   | External thread M10x1. Internal pitch of 6.8mm in diameter. |  | 300 | 0,86 € |
|   |   |  | 600 | 0,74 € |
|   | Length (mm): 400 Diameter (mm): 10                          |  |     |        |

METALLIC ACCESORIES > Tubes Threaded Pipes and Nuts > Threaded Tubes

Subfamily **M10 Round Threaded Tubes 201 to 500mm.**


| Picture   | Article   | Description | Lot | Price/Unit |
|---|---|-------------|-----|------------|
|  | 2801405   |             | 1   | 4,29 €     |
|   | Galvanized threaded tube 405mm M10/1                        |             | 20  | 2,16 €     |
|   | External thread M10x1. Internal pitch of 6.8mm in diameter. |             | 500 | 0,86 €     |
|   | Length (mm): 405 Diameter (mm): 10                          |             | 750 | 0,75 €     |
|   |   |             |     |            |


|   |   |  |     |        |
|---|---|--|-----|--------|
|  | 2801410   |  | 1   | 4,34 € |
|   | Galvanized threaded tube M10x1 410mm                        |  | 20  | 2,18 € |
|   | External thread M10x1. Internal pitch of 6.8mm in diameter. |  | 250 | 0,87 € |
|   | Length (mm): 410 Diameter (mm): 10                          |  | 500 | 0,75 € |
|   |   |  |     |        |


|   |   |  |     |        |
|---|---|--|-----|--------|
|  | 2801420   |  | 1   | 4,46 € |
|   | Galvanized threaded tube M10x1 420mm                        |  | 20  | 2,25 € |
|   | External thread M10x1. Internal pitch of 6.8mm in diameter. |  | 250 | 0,90 € |
|   | Length (mm): 420 Diameter (mm): 10                          |  | 500 | 0,77 € |
|   |   |  |     |        |

METALLIC ACCESORIES > Tubes Threaded Pipes and Nuts > Threaded Tubes

Subfamily **M10 Round Threaded Tubes 201 to 500mm.**


| Picture   | Article   | Description | Lot | Price/Unit |
|---|---|-------------|-----|------------|
|  | 2801425   |             | 1   | 4,51 €     |
|   | Galvanized threaded tube M10x1 425mm                        |             | 20  | 2,26 €     |
|   | External thread M10x1. Internal pitch of 6.8mm in diameter. |             | 250 | 0,90 €     |
|   |   |             | 500 | 0,78 €     |
|   | Length (mm): 425 Diameter (mm): 10                          |             |     |            |


|   |   |  |     |        |
|---|---|--|-----|--------|
|  | 2801460   |  | 1   | 4,86 € |
|   | Galvanized threaded tube M10x1 460mm                        |  | 20  | 2,44 € |
|   | External thread M10x1. Internal pitch of 6.8mm in diameter. |  | 200 | 0,96 € |
|   |   |  | 400 | 0,85 € |
|   | Length (mm): 460 Diameter (mm): 10                          |  |     |        |


|   |   |  |     |        |
|---|---|--|-----|--------|
|  | 2801470   |  | 1   | 5,01 € |
|   | Galvanized threaded tube M10x1 470mm                        |  | 20  | 2,48 € |
|   | External thread M10x1. Internal pitch of 6.8mm in diameter. |  | 200 | 1,00 € |
|   |   |  | 400 | 0,87 € |
|   | Length (mm): 470 Diameter (mm): 10                          |  |     |        |

METALLIC ACCESORIES > Tubes Threaded Pipes and Nuts > Threaded Tubes

**Subfamily M10 Round Threaded Tubes 201 to 500mm.**


| Picture   | Article   | Description | Lot | Price/Unit |
|---|---|-------------|-----|------------|
|  | 2801475   |             | 1   | 5,04 €     |
|   | Galvanized threaded tube 475mm M10/1                        |             | 20  | 2,54 €     |
|   | External thread M10x1. Internal pitch of 6.8mm in diameter. |             | 400 | 1,01 €     |
|   |   |             | 600 | 0,87 €     |
|   | Length (mm): 475 Diameter (mm): 10                          |             |     |            |

|   |   |  |     |        |
|---|---|--|-----|--------|
|  | 2801480   |  | 1   | 5,10 € |
|   | Galvanized threaded tube M10x1 480mm                        |  | 20  | 2,55 € |
|   | External thread M10x1. Internal pitch of 6.8mm in diameter. |  | 200 | 1,01 € |
|   |   |  | 400 | 0,88 € |
|   | Length (mm): 480 Diameter (mm): 10                          |  |     |        |


|   |   |  |     |        |
|---|---|--|-----|--------|
|  | 2801490   |  | 1   | 5,11 € |
|   | Galvanized threaded tube M10x1 490mm                        |  | 20  | 2,55 € |
|   | External thread M10x1. Internal pitch of 6.8mm in diameter. |  | 200 | 1,01 € |
|   |   |  | 400 | 0,88 € |
|   | Length (mm): 490 Diameter (mm): 10                          |  |     |        |


METALLIC ACCESORIES &gt; Tubes Threaded Pipes and Nuts &gt; Threaded Tubes

Subfamily **M10 Round Threaded Tubes 201 to 500mm.**

| Picture   | Article | Description   | Lot | Price/Unit |
|---|---------|---|-----|------------|
|  | 2801500 |   | 1   | 5,32 €     |
|   |         | Galvanized threaded tube M10x1 500mm                        | 20  | 2,65 €     |
|   |         | External thread M10x1. Internal pitch of 6.8mm in diameter. | 200 | 1,07 €     |
|   |         | Length (mm): 500 Diameter (mm): 10                          | 400 | 0,92 €     |


Catalogue **METALLIC ACCESORIES**  
 Line **Tubes Threaded Pipes and Nuts**  
 FAmily **Threaded Tubes**  
 Subfamily **M10 Round Threaded Tubes 501 to 1000mm.**


| Picture   | Article   | Description | Lot | Price/Unit |
|---|---|-------------|-----|------------|
|  | 2801615   |             | 1   | 11,45 €    |
|   | Galvanized threaded tube 615mm M10/1                        |             | 20  | 5,73 €     |
|   |   |             | 200 | 2,26 €     |
|   | External thread M10x1. Internal pitch of 6.8mm in diameter. |             | 300 | 1,95 €     |
|   | Length (mm): 615 Diameter (mm): 10                          |             |     |            |


|   |   |  |     |        |
|---|---|--|-----|--------|
|  | 2801625   |  | 1   | 9,97 € |
|   | Galvanized threaded tube 625mm M10/1                        |  | 20  | 4,98 € |
|   |   |  | 200 | 2,00 € |
|   | External thread M10x1. Internal pitch of 6.8mm in diameter. |  | 300 | 1,72 € |
|   | Length (mm): 625 Diameter (mm): 10                          |  |     |        |

METALLIC ACCESORIES > Tubes Threaded Pipes and Nuts > Threaded Tubes

**Subfamily M10 Round Threaded Tubes 501 to 1000mm.**




| Picture   | Article   | Description | Lot | Price/Unit |
|---|---|-------------|-----|------------|
|  | 2801635   |             | 1   | 6,81 €     |
|   | Galvanized threaded tube 635mm M10/1                        |             | 20  | 3,38 €     |
|   | External thread M10x1. Internal pitch of 6.8mm in diameter. |             | 200 | 1,37 €     |
|   |   |             | 300 | 1,17 €     |
|   | Length (mm): 635 Diameter (mm): 10                          |             |     |            |

|   |   |  |     |         |
|---|---|--|-----|---------|
|  | 2801645   |  | 1   | 10,76 € |
|   | Galvanized threaded tube 645mm M10/1                        |  | 20  | 5,41 €  |
|   | External thread M10x1. Internal pitch of 6.8mm in diameter. |  | 200 | 2,16 €  |
|   |   |  | 300 | 1,85 €  |
|   | Length (mm): 645 Diameter (mm): 10                          |  |     |         |

|   |   |  |     |        |
|---|---|--|-----|--------|
|  | 2801655   |  | 1   | 6,97 € |
|   | Galvanized threaded tube 655mm M10/1                        |  | 20  | 3,48 € |
|   | External thread M10x1. Internal pitch of 6.8mm in diameter. |  | 200 | 1,39 € |
|   |   |  | 300 | 1,20 € |
|   | Length (mm): 655 Diameter (mm): 10                          |  |     |        |

METALLIC ACCESORIES > Tubes Threaded Pipes and Nuts > Threaded Tubes


**Subfamily M10 Round Threaded Tubes 501 to 1000mm.**


| Picture   | Article   | Description | Lot | Price/Unit |
|---|---|-------------|-----|------------|
|    | 2801700   |             | 1   | 8,29 €     |
|   | Galvanized threaded tube 700mm M10/1                        |             | 20  | 4,15 €     |
|   | External thread M10x1. Internal pitch of 6.8mm in diameter. |             | 100 | 1,65 €     |
|   |   |             | 200 | 1,44 €     |
|   | Length (mm): 700 Diameter (mm): 10                          |             |     |            |
|  | 2801730   |             | 1   | 13,16 €    |
|   | Galvanized threaded tube 730mm M10/1                        |             | 20  | 6,57 €     |
|   | External thread M10x1. Internal pitch of 6.8mm in diameter. |             | 200 | 2,64 €     |
|   |   |             | 300 | 2,31 €     |
|   | Length (mm): 730 Diameter (mm): 10                          |             |     |            |
|  | 2801765   |             | 1   | 6,94 €     |
|   | Galvanized threaded tube 765mm M10/1                        |             | 10  | 4,64 €     |
|   | External thread M10x1. Internal pitch of 6.8mm in diameter. |             | 200 | 1,86 €     |
|   |   |             | 300 | 1,56 €     |
|   | Length (mm): 765 Diameter (mm): 10                          |             |     |            |




METALLIC ACCESORIES > Tubes Threaded Pipes and Nuts > Threaded Tubes

Subfamily **M10 Round Threaded Tubes 501 to 1000mm.**


| Picture   | Article   | Description | Lot | Price/Unit |
|---|---|-------------|-----|------------|
|  | 2801850   |             | 1   | 12,04 €    |
|   | Galvanized threaded tube M10x1 850mm                        |             | 10  | 6,02 €     |
|   | External thread M10x1. Internal pitch of 6.8mm in diameter. |             | 100 | 2,41 €     |
|   |   |             | 200 | 2,08 €     |
|   | Length (mm): 850 Diameter (mm): 10                          |             |     |            |

|   |                                      |  |                     |        |
|---|--------------------------------------|--|---------------------|--------|
|  | 2801880                              |  | 100 (Pedido mínimo) | 7,24 € |
|   | Galvanized threaded tube 880mm M10/1 |  | 200                 | 2,43 € |
|   | Length (mm): 880 Diameter (mm): 10   |  | 300                 | 2,08 € |


|   |   |  |     |         |
|---|---|--|-----|---------|
|  | 2801990   |  | 1   | 14,03 € |
|   | Galvanized threaded tube 990mm M10/1                        |  | 10  | 7,02 €  |
|   | External thread M10x1. Internal pitch of 6.8mm in diameter. |  | 200 | 2,81 €  |
|   |   |  | 300 | 2,43 €  |
|   | Length (mm): 990 Diameter (mm): 10                          |  |     |         |


METALLIC ACCESORIES > Tubes Threaded Pipes and Nuts > Threaded Tubes

**Subfamily M10 Round Threaded Tubes 501 to 1000mm.**

| Picture   | Article | Description   | Lot | Price/Unit |
|---|---------|---|-----|------------|
|  | 2802000 |   | 1   | 14,12 €    |
|   |         | Galvanized threaded tube M10x1 1000mm                       | 10  | 7,07 €     |
|   |         | External thread M10x1. Internal pitch of 6.8mm in diameter. | 100 | 2,82 €     |
|   |         | Length (mm): 1000 Diameter (mm): 10                         | 200 | 2,44 €     |


Catalogue **METALLIC ACCESORIES**  
 Line **Tubes Threaded Pipes and Nuts**  
 FAmily **Threaded Tubes**  
 Subfamily **M10 Round Threaded Tubes Over 1000mm.**


| Picture   | Article   | Description | Lot | Price/Unit |
|---|---|-------------|-----|------------|
|  | 2802055   |             | 1   | 16,21 €    |
|   | Galvanized threaded tube 1055mm M10/1                       |             | 10  | 8,11 €     |
|   | External thread M10x1. Internal pitch of 6.8mm in diameter. |             | 100 | 3,22 €     |
|   | Length (mm): 1055 Diameter (mm): 10                         |             | 200 | 2,78 €     |


|   |   |  |     |         |
|---|---|--|-----|---------|
|  | 2802200   |  | 1   | 17,06 € |
|   | Galvanized threaded tube M10x1 1200mm                       |  | 10  | 8,53 €  |
|   | External thread M10x1. Internal pitch of 6.8mm in diameter. |  | 100 | 3,41 €  |
|   | Length (mm): 1200 Diameter (mm): 10                         |  | 200 | 2,95 €  |

METALLIC ACCESORIES > Tubes Threaded Pipes and Nuts > Threaded Tubes

**Subfamily M10 Round Threaded Tubes Over 1000mm.**


| Picture   | Article   | Description | Lot | Price/Unit |
|---|---|-------------|-----|------------|
|  | 2802250   |             | 1   | 17,78 €    |
|   | Galvanized threaded tube M10x1 1250mm                       |             | 10  | 8,89 €     |
|   | External thread M10x1. Internal pitch of 6.8mm in diameter. |             | 100 | 3,55 €     |
|   |   |             | 200 | 3,06 €     |
|   | Length (mm): 1250 Diameter (mm): 10                         |             |     |            |


|   |                                       |  |                     |         |
|---|---------------------------------------|--|---------------------|---------|
|  | 2802270                               |  | 100 (Pedido mínimo) | 10,49 € |
|   | Galvanized threaded tube 1270mm M10/1 |  | 200                 | 3,47 €  |
|   | Length (mm): 1270 Diameter (mm): 10   |  | 300                 | 3,00 €  |
|   |                                       |  |                     |         |
|   |                                       |  |                     |         |


|   |   |  |     |         |
|---|---|--|-----|---------|
|  | 2802280   |  | 1   | 18,01 € |
|   | Galvanized threaded tube 1280mm M10/1                       |  | 10  | 9,01 €  |
|   | External thread M10x1. Internal pitch of 6.8mm in diameter. |  | 200 | 3,60 €  |
|   |   |  | 300 | 3,09 €  |
|   | Length (mm): 1280 Diameter (mm): 10                         |  |     |         |

METALLIC ACCESORIES > Tubes Threaded Pipes and Nuts > Threaded Tubes

**Subfamily M10 Round Threaded Tubes Over 1000mm.**



| Picture   | Article   | Description | Lot | Price/Unit |
|---|---|-------------|-----|------------|
|  | 2802335   |             | 1   | 17,16 €    |
|   | Galvanized threaded tube 1335mm M10/1                       |             | 10  | 8,61 €     |
|   | External thread M10x1. Internal pitch of 6.8mm in diameter. |             | 200 | 3,43 €     |
|   |   |             | 300 | 2,96 €     |
|   | Length (mm): 1335 Diameter (mm): 10                         |             |     |            |

|   |   |  |     |         |
|---|---|--|-----|---------|
|  | 2802340   |  | 1   | 17,25 € |
|   | Galvanized threaded tube 1340mm M10/1                       |  | 10  | 8,63 €  |
|   | External thread M10x1. Internal pitch of 6.8mm in diameter. |  | 200 | 3,45 €  |
|   |   |  | 300 | 2,99 €  |
|   | Length (mm): 1340 Diameter (mm): 10                         |  |     |         |


|   |   |  |     |         |
|---|---|--|-----|---------|
|  | 2802420   |  | 1   | 13,81 € |
|   | Galvanized threaded tube 1420mm M10/1                       |  | 10  | 9,19 €  |
|   | External thread M10x1. Internal pitch of 6.8mm in diameter. |  | 100 | 3,68 €  |
|   |   |  | 200 | 3,19 €  |
|   | Length (mm): 1420 Diameter (mm): 10                         |  |     |         |


METALLIC ACCESORIES > Tubes Threaded Pipes and Nuts > Threaded Tubes

**Subfamily M10 Round Threaded Tubes Over 1000mm.**

| Picture   | Article | Description   | Lot | Price/Unit |
|---|---------|---|-----|------------|
|    | 2802500 |   | 1   | 16,00 €    |
|   |         | Galvanized threaded tube M10x1 1500mm                       | 10  | 10,66 €    |
|   |         | External thread M10x1. Internal pitch of 6.8mm in diameter. | 100 | 4,26 €     |
|   |         |   | 200 | 3,67 €     |
|   |         | Length (mm): 1500 Diameter (mm): 10                         |     |            |
|  | 2805001 |   | 1   | 30,30 €    |
|   |         | Galvanized threaded tube M10x1 2000mm                       | 5   | 15,15 €    |
|   |         | M13x1 outer thread  | 50  | 6,07 €     |
|   |         |   | 100 | 5,25 €     |
|   |         | Length (mm): 2000 Diameter (mm): 13                         |     |            |


Catalogue **METALLIC ACCESORIES**  
 Line **Tubes Threaded Pipes and Nuts**  
 FAmily **Threaded Tubes**  
 Subfamily **M10 Thread Milling Tubes**


| Picture   | Article                         | Description | Lot  | Price/Unit |
|---|---------------------------------|-------------|------|------------|
|  | 491TGR1                         |             | 1    | 0,3359 €   |
|   | Threaded milled tube M10x1 15mm |             | 100  | 0,2352 €   |
|   |                                 |             | 2000 | 0,0784 €   |
|   | Length (mm): 15                 |             | 4000 | 0,0680 €   |


|   |                                 |  |      |          |
|---|---------------------------------|--|------|----------|
|  | 491TG17                         |  | 1    | 0,4086 € |
|   | Threaded milled tube M10x1 17mm |  | 100  | 0,29 €   |
|   |                                 |  | 500  | 0,0954 € |
|   | Length (mm): 17                 |  | 1000 | 0,0824 € |

METALLIC ACCESORIES > Tubes Threaded Pipes and Nuts > Threaded Tubes

Subfamily **M10 Thread Milling Tubes**

| Picture   | Article                         | Description | Lot  | Price/Unit |
|---|---------------------------------|-------------|------|------------|
|  | 491TGR2                         |             | 1    | 0,4471 €   |
|   | Threaded milled tube M10x1 20mm |             | 100  | 0,3128 €   |
|   |                                 |             | 2000 | 0,1041 €   |
|   | Length (mm): 20                 |             | 4000 | 0,0904 €   |


|   |                                 |  |      |          |
|---|---------------------------------|--|------|----------|
|  | 491TGR3                         |  | 1    | 0,5589 € |
|   | Threaded milled tube M10x1 25mm |  | 100  | 0,3912 € |
|   |                                 |  | 1000 | 0,1304 € |
|   | Length (mm): 25                 |  | 2000 | 0,1128 € |


|   |                                 |  |      |          |
|---|---------------------------------|--|------|----------|
|  | 491TGR4                         |  | 1    | 0,67 €   |
|   | Threaded milled tube M10x1 30mm |  | 100  | 0,47 €   |
|   |                                 |  | 1000 | 0,1565 € |
|   | Length (mm): 30                 |  | 2000 | 0,1355 € |




METALLIC ACCESORIES > Tubes Threaded Pipes and Nuts > Threaded Tubes

**Subfamily M10 Thread Milling Tubes**


| Picture   | Article                         | Description | Lot  | Price/Unit |
|---|---------------------------------|-------------|------|------------|
|  | 491TGR5                         |             | 1    | 1,37 €     |
|   | Threaded milled tube M10x1 35mm |             | 100  | 0,95 €     |
|   |                                 |             | 1000 | 0,3180 €   |
|   | Length (mm): 35                 |             | 2000 | 0,2750 €   |


|   |                                 |  |      |          |
|---|---------------------------------|--|------|----------|
|  | 491TG40                         |  | 1    | 0,90 €   |
|   | Threaded milled tube M10x1 40mm |  | 50   | 0,63 €   |
|   |                                 |  | 500  | 0,2088 € |
|   | Length (mm): 40                 |  | 1000 | 0,1806 € |


|   |                                 |  |      |          |
|---|---------------------------------|--|------|----------|
|  | 491TG50                         |  | 1    | 1,13 €   |
|   | Threaded milled tube M10x1 50mm |  | 50   | 0,78 €   |
|   |                                 |  | 500  | 0,2590 € |
|   | Length (mm): 50                 |  | 1000 | 0,2250 € |

METALLIC ACCESORIES > Tubes Threaded Pipes and Nuts > Threaded Tubes


**Subfamily M10 Thread Milling Tubes**


| Picture   | Article                         | Description | Lot  | Price/Unit |
|---|---------------------------------|-------------|------|------------|
|  | 491TG55                         |             | 1    | 1,25 €     |
|   | Threaded milled tube M10x1 55mm |             | 50   | 0,86 €     |
|   |                                 |             | 500  | 0,2878 €   |
|   | Length (mm): 55                 |             | 1000 | 0,2490 €   |

|   |                                 |  |      |          |
|---|---------------------------------|--|------|----------|
|  | 491TGR6                         |  | 1    | 1,35 €   |
|   | Threaded milled tube M10x1 60mm |  | 50   | 0,94 €   |
|   |                                 |  | 500  | 0,3129 € |
|   | Length (mm): 60                 |  | 1000 | 0,2707 € |

|   |                                 |  |      |          |
|---|---------------------------------|--|------|----------|
|  | 491TG65                         |  | 1    | 1,46 €   |
|   | Threaded milled tube M10x1 65mm |  | 50   | 1,01 €   |
|   |                                 |  | 500  | 0,3397 € |
|   | Length (mm): 65                 |  | 1000 | 0,2939 € |




Catalogue **METALLIC ACCESORIES**  
 Line **Tubes Threaded Pipes and Nuts**  
 FAmily **Threaded Tubes**  
 Subfamily **M13 Threaded round tubes**

| Picture   | Article                               | Description | Lot  | Price/Unit |
|---|---------------------------------------|-------------|------|------------|
|  | 2803015                               |             | 1    | 0,71 €     |
|   | Galvanized threaded nipple M13x1 15mm |             | 100  | 0,2644 €   |
|   | M13x1 outer thread                    |             | 1000 | 0,1060 €   |
|   |                                       |             | 2000 | 0,0918 €   |
|   | Length (mm): 15 Diameter (mm): 13     |             |      |            |

|   |                                     |  |      |          |
|---|-------------------------------------|--|------|----------|
|  | 2803030                             |  | 1    | 1,43 €   |
|   | Galvanized threaded tube M13x1 30mm |  | 100  | 0,5298 € |
|   | M13x1 outer thread                  |  | 500  | 0,2120 € |
|   |                                     |  | 1000 | 0,1834 € |
|   | Length (mm): 30 Diameter (mm): 13   |  |      |          |


METALLIC ACCESORIES > Tubes Threaded Pipes and Nuts > Threaded Tubes


Subfamily **M13 Threaded round tubes**


| Picture   | Article                             | Description | Lot  | Price/Unit |
|---|-------------------------------------|-------------|------|------------|
|    | 2803040                             |             | 1    | 1,90 €     |
|   | Galvanized threaded tube M13x1 40mm |             | 50   | 0,71 €     |
|   | M13x1 outer thread                  |             | 500  | 0,2831 €   |
|   |                                     |             | 1000 | 0,2454 €   |
|   | Length (mm): 40 Diameter (mm): 13   |             |      |            |
|  | 2803050                             |             | 1    | 2,35 €     |
|   | Galvanized threaded tube M13x1 50mm |             | 50   | 0,88 €     |
|   | M13x1 outer thread                  |             | 500  | 0,3539 €   |
|   |                                     |             | 1000 | 0,3064 €   |
|   | Length (mm): 50 Diameter (mm): 13   |             |      |            |
|  | 2803080                             |             | 1    | 3,46 €     |
|   | Galvanized threaded tube M13x1 80mm |             | 25   | 1,42 €     |
|   | M13x1 outer thread                  |             | 300  | 0,5659 €   |
|   |                                     |             | 600  | 0,4901 €   |
|   | Length (mm): 80 Diameter (mm): 13   |             |      |            |

METALLIC ACCESORIES > Tubes Threaded Pipes and Nuts > Threaded Tubes

Subfamily **M13 Threaded round tubes**


| Picture   | Article                              | Description | Lot | Price/Unit |
|---|--------------------------------------|-------------|-----|------------|
|  | 2803100                              |             | 1   | 3,54 €     |
|   | Galvanized threaded tube M13x1 100mm |             | 25  | 1,76 €     |
|   | M13x1 outer thread                   |             | 300 | 0,71 €     |
|   | Length (mm): 100 Diameter (mm): 13   |             | 600 | 0,61 €     |
|   |                                      |             |     |            |


|   |                                      |  |     |        |
|---|--------------------------------------|--|-----|--------|
|  | 2803120                              |  | 1   | 4,25 € |
|   | Galvanized threaded tube M13x1 120mm |  | 20  | 2,12 € |
|   | M13x1 outer thread                   |  | 200 | 0,86 € |
|   | Length (mm): 120 Diameter (mm): 13   |  | 400 | 0,74 € |
|   |                                      |  |     |        |


|   |                                      |  |     |        |
|---|--------------------------------------|--|-----|--------|
|  | 2803140                              |  | 1   | 4,94 € |
|   | Galvanized threaded tube M13x1 140mm |  | 20  | 2,47 € |
|   | M13x1 outer thread                   |  | 200 | 0,99 € |
|   | Length (mm): 140 Diameter (mm): 13   |  | 400 | 0,86 € |
|   |                                      |  |     |        |

METALLIC ACCESORIES > Tubes Threaded Pipes and Nuts > Threaded Tubes

Subfamily **M13 Threaded round tubes**




| Picture   | Article                              | Description | Lot | Price/Unit |
|---|--------------------------------------|-------------|-----|------------|
|  | 2803220                              |             | 1   | 7,84 €     |
|   | Galvanized threaded tube M13x1 220mm |             | 10  | 3,91 €     |
|   | M13x1 outer thread                   |             | 300 | 1,56 €     |
|   |                                      |             | 600 | 1,38 €     |
|   | Length (mm): 220 Diameter (mm): 13   |             |     |            |

|   |                                      |  |     |        |
|---|--------------------------------------|--|-----|--------|
|  | 2803280                              |  | 1   | 9,93 € |
|   | Galvanized threaded tube M13x1 280mm |  | 10  | 4,97 € |
|   | M13x1 outer thread                   |  | 300 | 1,99 € |
|   |                                      |  | 600 | 1,66 € |
|   | Length (mm): 280 Diameter (mm): 13   |  |     |        |

|   |                                      |  |     |         |
|---|--------------------------------------|--|-----|---------|
|  | 2803300                              |  | 1   | 10,65 € |
|   | Galvanized threaded tube M13x1 300mm |  | 10  | 5,30 €  |
|   | M13x1 outer thread                   |  | 300 | 2,12 €  |
|   |                                      |  | 600 | 1,89 €  |
|   | Length (mm): 300 Diameter (mm): 13   |  |     |         |

METALLIC ACCESORIES > Tubes Threaded Pipes and Nuts > Threaded Tubes

Subfamily **M13 Threaded round tubes**


| Picture   | Article                               | Description | Lot | Price/Unit |
|---|---------------------------------------|-------------|-----|------------|
|    | 2803500                               |             | 1   | 17,80 €    |
|   | Galvanized threaded tube M13x1 500mm  |             | 10  | 8,89 €     |
|   | M13x1 outer thread                    |             | 200 | 3,55 €     |
|   |                                       |             | 400 | 3,07 €     |
|   | Length (mm): 500 Diameter (mm): 13    |             |     |            |
|  | 2804000                               |             | 1   | 19,33 €    |
|   | Galvanized threaded tube M13x1 1000mm |             | 10  | 12,90 €    |
|   | M13x1 outer thread                    |             | 50  | 5,15 €     |
|   |                                       |             | 100 | 4,47 €     |
|   | Length (mm): 1000 Diameter (mm): 13   |             |     |            |
|  | 2804500                               |             | 1   | 32,44 €    |
|   | Galvanized threaded tube M13x1 1500mm |             | 5   | 21,63 €    |
|   | M13x1 outer thread                    |             | 50  | 8,66 €     |
|   |                                       |             | 100 | 7,48 €     |
|   | Length (mm): 1500 Diameter (mm): 13   |             |     |            |

Catalogue **METALLIC ACCESORIES**  
 Line **Tubes Threaded Pipes and Nuts**  
 FAmily **Threaded Pipes**  
 Subfamily **Pipes to 300mm with threaded M10x1 ends**

| Picture   | Article                                       | Description | Lot  | Price/Unit |
|---|---|-------------|------|------------|
|  | 7800751                                       |             | 1    | 2,98 €     |
|   | Tube 75mm threaded in the extremities 10-15mm |             | 10   | 0,60 €     |
|   | M10x1 iron                                    |             | 500  | 0,4209 €   |
|   | Measures : L1=10mm L2=15mm total llength=75mm |             | 1000 | 0,3643 €   |



Length (mm): 75

|   |  |  |                     |          |
|---|--|--|---------------------|----------|
|  | 7801501  |  | 500 (Pedido mínimo) | 0,5078 € |
|   | Tube 150mm threaded in the extremities 10-15mm |  |                     |          |
|   | M10x1 iron                                     |  |                     |          |
|   | Measures : L1=15mm L2=10mm total length=150m   |  |                     |          |




Length (mm): 150




METALLIC ACCESORIES > Tubes Threaded Pipes and Nuts > Threaded Pipes


Subfamily **Pipes to 300mm with threaded M10x1 ends**

| Picture   | Article  | Description | Lot  | Price/Unit |
|---|--|-------------|------|------------|
|  | 7801503  |             | 1    | 4,20 €     |
|   | Tube 150mm threaded in the extremities 10-20mm |             | 10   | 0,83 €     |
|   | M10x1 iron                                     |             | 500  | 0,5864 €   |
|   | Measures : L1=10mm L2=20mm total length=150m   |             | 1000 | 0,5078 €   |

Length (mm): 150

|   |  |  |      |        |
|---|--|--|------|--------|
|  | 7802001  |  | 1    | 4,97 € |
|   | Tube 200mm threaded in the extremities 10-15mm |  | 10   | 0,99 € |
|   | M10x1 iron                                     |  | 500  | 0,70 € |
|   | Measures : L1=15mm L2=10mm total length=200m   |  | 1000 | 0,60 € |



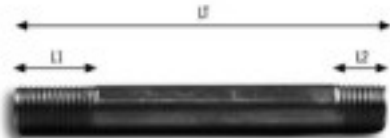
Length (mm): 200

|   |  |  |      |        |
|---|--|--|------|--------|
|  | 7802002  |  | 1    | 4,97 € |
|   | Tube 200mm threaded in the extremities 05-15mm |  | 10   | 0,99 € |
|   | M10x1 iron                                     |  | 500  | 0,70 € |
|   | Measures : L1=15mm L2=5mm total length=200m    |  | 1000 | 0,60 € |

Length (mm): 200


METALLIC ACCESORIES > Tubes Threaded Pipes and Nuts > Threaded Pipes

Subfamily **Pipes to 300mm with threaded M10x1 ends**

| Picture   | Article   | Description | Lot              | Price/Unit                 |
|---|---|-------------|------------------|----------------------------|
|    | 7802201   |             | 1                | 5,29 €                     |
|   | Tube 220mm threaded in the extremities 10-10mm M10x1 iron |             | 10<br>400<br>800 | 1,05 €<br>0,74 €<br>0,64 € |
|   | Measures : L1=10mm L2=10mm total length=220m              |             |                  |                            |
|   | Length (mm): 220  |             |                  |                            |
|  | 7802202   |             | 1                | 5,29 €                     |
|   | Tube 220mm threaded in the extremities 10-05mm M10x1 iron |             | 10<br>400<br>800 | 1,05 €<br>0,74 €<br>0,64 € |
|   | Measures : L1=10mm L2=5mm total length=220m               |             |                  |                            |
|   | Length (mm): 220  |             |                  |                            |
|  | 7802901   |             | 1                | 6,38 €                     |
|   | Tube 290mm threaded in the extremities 15-15mm M10x1 iron |             | 10<br>400<br>800 | 1,29 €<br>0,88 €<br>0,77 € |
|   | Measures : L1=15mm L2=15mm total length=290m              |             |                  |                            |
|   | Length (mm): 290  |             |                  |                            |


METALLIC ACCESORIES > Tubes Threaded Pipes and Nuts > Threaded Pipes


**Subfamily Pipes to 300mm with threaded M10x1 ends**

| Picture   | Article  | Description | Lot | Price/Unit |
|---|--|-------------|-----|------------|
|  | 7803006  |             | 1   | 6,59 €     |
|   | Tube 300mm threaded in the extremities 20-10mm |             | 10  | 1,31 €     |
|   | M10x1 iron                                     |             | 400 | 0,92 €     |
|   | Measures : L1=20mm L2=20mm total length=300m   |             | 800 | 0,79 €     |

Length (mm): 300



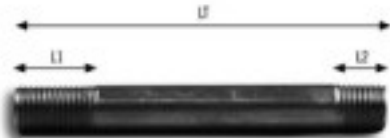
Catalogue **METALLIC ACCESORIES**  
 Line **Tubes Threaded Pipes and Nuts**  
 FAmily **Threaded Pipes**  
 Subfamily **Pipes over 300mm with threaded M10x1 ends**

| Picture   | Article | Description                             | Lot | Price/Unit |
|---|---------|---|-----|------------|
|  | 7803301 |   | 1   | 6,64 €     |
|   |         | threaded pipe 330mm 15-05mm. M10/1 iron | 50  | 1,29 €     |
|   |         |   | 400 | 0,88 €     |
|   |         | Measures:L1=15mm L2=15mm L.total=330mm  | 600 | 0,85 €     |
|   |         | Length (mm): 330                        |     |            |

|   |         |   |     |        |
|---|---------|---|-----|--------|
|  | 7803303 |   | 1   | 6,64 € |
|   |         | threaded pipe 330mm 10-05mm. M10/1 iron | 50  | 1,29 € |
|   |         |   | 400 | 0,88 € |
|   |         | Measures:L1=15mm L2=15mm L.total=330mm  | 600 | 0,85 € |
|   |         | Length (mm): 330                        |     |        |



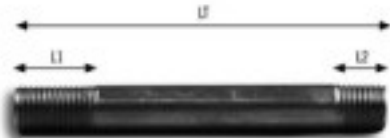
METALLIC ACCESORIES > Tubes Threaded Pipes and Nuts > Threaded Pipes

Subfamily **Pipes over 300mm with threaded M10x1 ends**

| Picture   | Article   | Description      | Lot | Price/Unit |
|---|---|------------------|-----|------------|
|    | 7803500   |                  | 1   | 7,32 €     |
|   | Tube 350mm threaded in the extremities 15-15mm M10x1 Iron |                  | 10  | 1,47 €     |
|   |   |                  | 200 | 1,01 €     |
|   | Measures : L1=15mm L2=15mm total length=350m              |                  | 400 | 0,88 €     |
|   |   | Length (mm): 350 |     |            |
|  | 7804007   |                  | 1   | 8,11 €     |
|   | Tube 400mm threaded in the extremities 20-10mm M10x1 iron |                  | 10  | 1,63 €     |
|   |   |                  | 200 | 1,13 €     |
|   | Measures : L1=20mm L2=10mm total length=400m              |                  | 400 | 0,99 €     |
|   |   | Length (mm): 400 |     |            |
|  | 7804501   |                  | 1   | 8,91 €     |
|   | Tube 450mm threaded in the extremities 15-25mm M10x1 iron |                  | 10  | 1,82 €     |
|   |   |                  | 200 | 1,25 €     |
|   | Measures : L1=15mm L2=25mm total length=450m              |                  | 400 | 1,07 €     |
|   |   | Length (mm): 450 |     |            |

METALLIC ACCESORIES > Tubes Threaded Pipes and Nuts > Threaded Pipes

**Subfamily Pipes over 300mm with threaded M10x1 ends**

| Picture   | Article  | Description      | Lot | Price/Unit |
|---|--|------------------|-----|------------|
|    | 7806251  |                  | 1   | 11,62 €    |
|   | Tube 625mm threaded in the extremities 20-10mm |                  | 10  | 2,30 €     |
|   | M10x1 iron                                     |                  | 200 | 1,60 €     |
|   | Measures : L1=20mm L2=10mm total length=625m   |                  | 400 | 1,42 €     |
|   |  | Length (mm): 625 |     |            |
|  | 7806252  |                  | 1   | 11,62 €    |
|   | Tube 625mm threaded in the extremities 10-10mm |                  | 10  | 2,30 €     |
|   | M10x1 iron                                     |                  | 200 | 1,60 €     |
|   | Measures : L1=10mm L2=10mm total length=625m   |                  | 400 | 1,42 €     |
|   |  | Length (mm): 625 |     |            |
|  | 7806501  |                  | 1   | 10,86 €    |
|   | threaded pipe 650mm 20-2.5mm. M10/1 iron       |                  | 10  | 2,18 €     |
|   |  |                  | 200 | 1,52 €     |
|   | Length (mm): 650                               |                  | 400 | 1,46 €     |