

Catalogue **SWAROVSKI CRYSTAL**

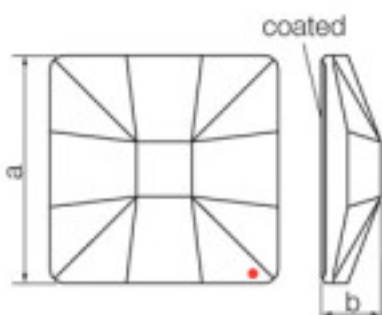
Line **Strass Swarovski Crystal**

Family **Strass Swarovski for gluing**

Subfamily **Flat Strass crystal with CAL coating in flat part**

IMPORTANT NOTE: The STRASS and SPECTRA lines are out of production. Items in stock will be available while stocks last .

| Picture | Article | Description | Lot | Price/Unit |
|---------|---------------------------------------|-------------|-----|------------|
| | 113783101 | | 1 | 1,07 € |
| | Classic square 2483/10mm Bermuda Blue | | 48 | 0,86 € |
| | | | 144 | 0,74 € |

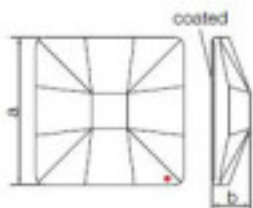


Coated in flat part dimensions (mm) A = 10 (+/- 0.3) B = 3.5 (0.3 +/-)

Length (mm): 10 Width (mm): 10
Colour: Bermuda Blue



| | | | | |
|--|---|--|-----|--------|
| | 113783102 | | 1 | 0,69 € |
| | Crystal Square 8083 010 001 Blazing Red | | 245 | 0,62 € |
| | | | 980 | 0,60 € |



Coated in flat part dimensions (mm) A = 10 (+/- 0.3) B = 3.5 (0.3 +/-)

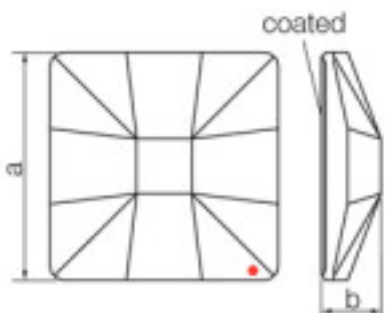
Length (mm): 10 Width (mm): 10



SWAROVSKI CRYSTAL > Strass Swarovski Crystal > Strass Swarovski for gluing

Subfamily Flat Strass crystal with CAL coating in flat part

| Picture | Article | Description | Lot | Price/Unit |
|---------|---------------------------------|-------------|-----|------------|
| | 113783104 | | 1 | 1,07 € |
| | Classic Square 2483/10mm Sahara | | 48 | 0,86 € |
| | | | 144 | 0,74 € |

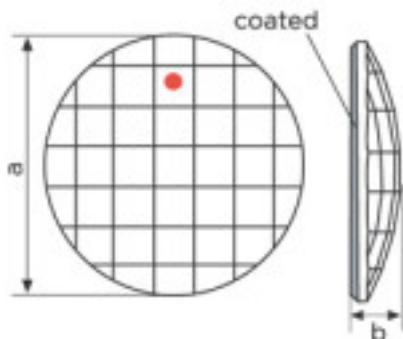


Coated in flat part dimensions A=10mm (+/-0,3mm)
B=3,5mm (+/-0,3mm)

Length (mm): 10 Width (mm): 10



| | | | | |
|--|---|--|----|--------|
| | 113783201 | | 1 | 4,93 € |
| | Round chessboard 2035/20mm Bermuda Blue | | 20 | 3,95 € |
| | | | 40 | 3,44 € |



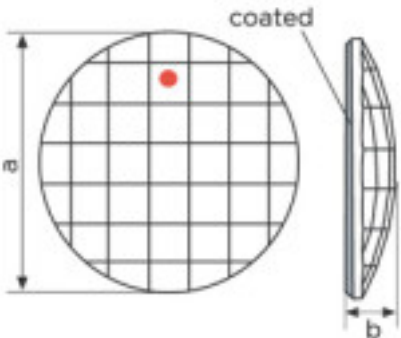

Effect applied to flat part dimensions A=20mm(+/-0.3mm) B=3.8mm(0.3mm +/-)

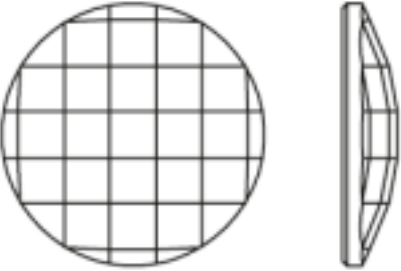

Colour: Bermuda Blue



SWAROVSKI CRYSTAL > Strass Swarovski Crystal > Strass Swarovski for gluing

Subfamily Flat Strass crystal with CAL coating in flat part

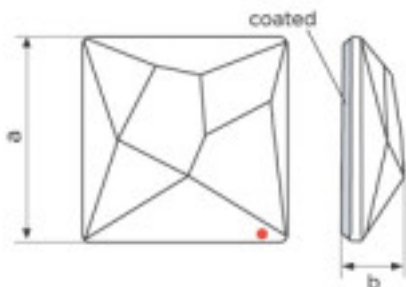
| Picture | Article | Description | Lot | Price/Unit |
|--|--|-------------|-----|------------|
|  | 113783204 | | 1 | 5,53 € |
| | CRYSTAL CIRCLE 8083 020mm 002 Sahara | | 20 | 4,43 € |
| | Effect applied to flat side. Measurements:A=20mm(+/- 0.3mm); B=3.8mm(0.3mm +/-). | | 40 | 3,84 € |
|  | | | | |

| | | | | |
|---|---|-----------------|-----|--------|
|  | 113783205 | | 1 | 5,15 € |
| | Crystal Circle 8083 020mm 002 Sage | | 72 | 4,12 € |
| | Effect applied to flat part dimensions A=20mm(+/- 0.3mm) B=3.8mm(0.3mm +/-) | | 360 | 3,58 € |
|  | | Length (mm): 20 | | |

SWAROVSKI CRYSTAL > Strass Swarovski Crystal > Strass Swarovski for gluing

Subfamily Flat Strass crystal with CAL coating in flat part

| Picture | Article | Description | Lot | Price/Unit |
|---------|--|-------------|-----|------------|
| | 113783251A | | 1 | 8,61 € |
| | Asymmetric Square 2420/25mm Bermuda blue | | 16 | 6,87 € |
| | | | 32 | 5,99 € |

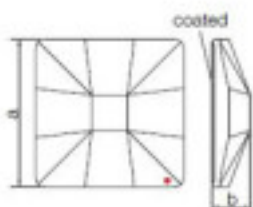


Effect applied to flat side. Measurements: A=25mm(+/- 0.3mm); B=6,5mm(0.3mm +/-).

Colour: Bermuda Blue



| | | | | |
|--|---|--|-----|--------|
| | 113783252 | | 1 | 2,60 € |
| | Crystal Square 8083 025 001 Blazing Red Swarovski Crystal | | 32 | 2,32 € |
| | | | 256 | 2,30 € |



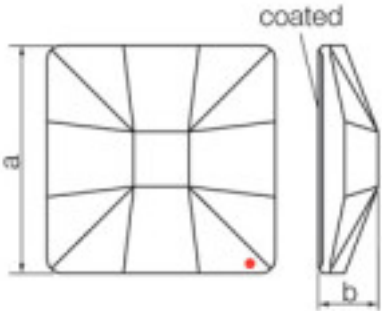
Effect applied to flat part dimensions A=25mm(+/- 0.3mm) B=6,5mm(0.3mm +/-)

Length (mm): 25 Width (mm): 25

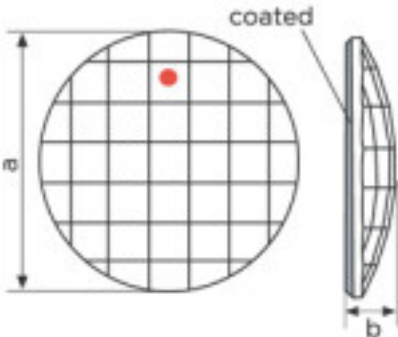


SWAROVSKI CRYSTAL > Strass Swarovski Crystal > Strass Swarovski for gluing

Subfamily Flat Strass crystal with CAL coating in flat part

| Picture | Article | Description | Lot | Price/Unit |
|---|---|-------------|-----|------------|
|  | 113783254 | | 1 | 6,18 € |
| | Classic Square 2483/25mm Sahara Swarovski Crystal | | 16 | 4,95 € |
| | Effect applied to flat part dimensions A=25mm(+/- 0.3mm) B=6,5mm(0.3mm +/-) | | 32 | 4,29 € |

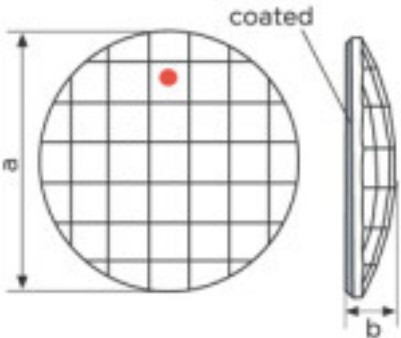


| | | | | |
|---|---|--|----|---------|
|  | 113783303 | | 1 | 10,49 € |
| | Chessboard Circle 2035/30mm CAL`V`SI Swarovski Crystal | | 6 | 8,40 € |
| | Effect applied to flat part dimensions A=30mm(+/- 0.3mm) B=6.2mm(0.3mm +/-) | | 12 | 7,31 € |
| | Reference: 1066835 | | | |



SWAROVSKI CRYSTAL > Strass Swarovski Crystal > Strass Swarovski for gluing

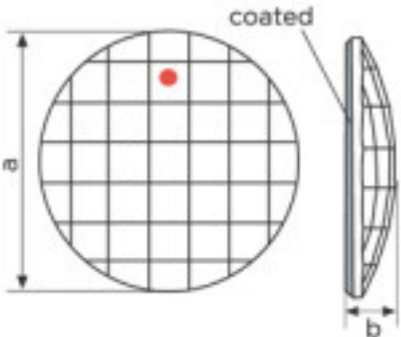
Subfamily Flat Strass crystal with CAL coating in flat part

| Picture | Article | Description | Lot | Price/Unit |
|---|--|-------------|-----|------------|
|  | 113783403 | | 1 | 21,44 € |
| | Chessboard Circle 2035/40mm CAL`V`SI Swarovski Crystal | | 3 | 17,15 € |
| | | | 6 | 14,91 € |

Effect applied to flat dimensions A=40mm(+/- 0.3mm)
B= 7.7mm(0.3mm +/-)

Reference: 1066846



| | | | | |
|---|--|--|---|---------|
|  | 113783404 | | 1 | 13,14 € |
| | Chessboard Circle 2035/40mm Sahara Swarovski Crystal | | 3 | 10,51 € |
| | | | 6 | 9,15 € |

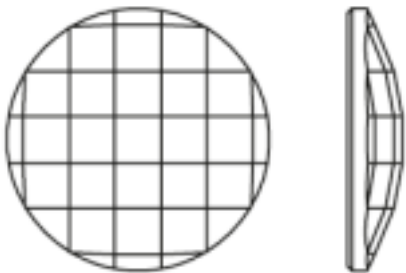

Effect applied to flat part dimensions A=40mm(+/- 0.3mm) B= 7.7mm(0.3mm +/-)

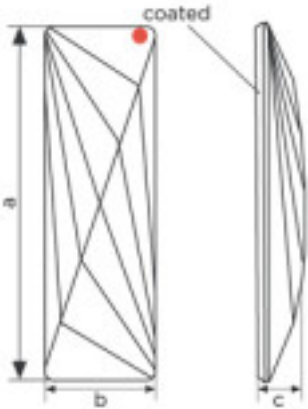

Reference: 1066854



SWAROVSKI CRYSTAL > Strass Swarovski Crystal > Strass Swarovski for gluing

Subfamily Flat Strass crystal with CAL coating in flat part

| Picture | Article | Description | Lot | Price/Unit |
|--|--|-------------|-----|------------|
|  | 113783405 | | 1 | 16,07 € |
| | Chessboard Circle 2035/40 Sage Swarovski Crystal | | 3 | 12,85 € |
| | Effect applied to flat part dimensions A=40mm(+/- 0.3mm) B= 7.7mm(0.3mm +/-) | | 6 | 11,17 € |
| | Length (mm): 40 | | | |
|  | | | | |

| | | | | |
|---|--|--|---|---------|
|  | 113783503 | | 1 | 19,81 € |
| | Vigour Rectangle 2570/50x16mm CAL 'V' SI Swarovski Crystal | | 3 | 15,84 € |
| | Effect applied to flat part dimensions A=50,2mm(+/-0.3mm) B=16.2mm(0.3mm +/-)C=6.8 (0.3 +/-) | | 6 | 13,78 € |
| | Reference: 1067315 | | | |
|  | | | | |