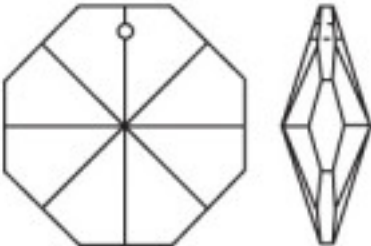


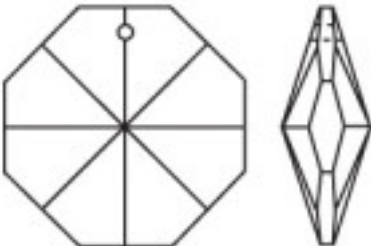
Catalogue **CRYSTAL FOR LAMPS**

Line **Scholer Crystal Austria**

FAMILY **Schöler Basic Line**

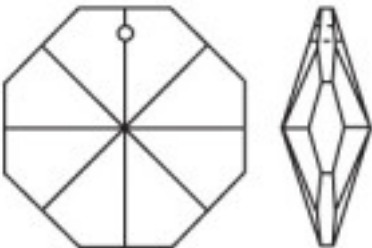

Subfamily **Plain octagons**

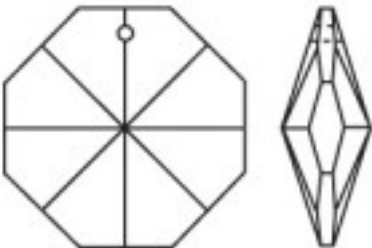

Picture	Article	Description	Lot	Price/Unit
	A600614		1	0,1716 €
	Octagon 8011/14mm 1 hole		100	0,1039 €
	Length (mm): 14 Colour: Transparent		1800	0,1006 €

	A600620		1	0,3891 €
	Octagon 8011/20mm 1 hole		60	0,3527 €
	Length (mm): 20 Colour: Transparent		420	0,3423 €

CRYSTAL FOR LAMPS > Scholer Crystal Austria > Schöler Basic Line

Subfamily Plain octagons

Picture	Article	Description	Lot	Price/Unit
	A60P614		1	0,3376 €
	Octagon 8011/14mm 1 hole Rose		100	0,3127 €
	Length (mm): 14 Colour: Rose		1800	0,3034 €
				


	A60Q614		1	0,3376 €
	Octagon 8011/14mm 1 hole Aquamarine		100	0,3127 €
	Length (mm): 14 Colour: Aquamarine		1800	0,3034 €
				

CRYSTAL FOR LAMPS > Scholer Crystal Austria > Schöler Basic Line

Subfamily Plain octagons


Picture	Article	Description	Lot	Price/Unit
	A60R614		1	0,3311 €
	Octagon 8011/14mm 1 hole Ruby		100	0,3064 €
	Length (mm): 14 Colour: Ruby		1800	0,3034 €




	A60R714		100 (Pedido mínimo)	0,3376 €
	Octagon 8012/14mm 2 holes Ruby		1800	0,3127 €
	Length (mm): 14 Colour: Red			

CRYSTAL FOR LAMPS > Scholer Crystal Austria > Schöler Basic Line

Subfamily Plain octagons

Picture	Article	Description	Lot	Price/Unit
	A60R730		1	1,46 €
	Octagon 8012/30mm 2 holes Ruby		27	1,34 €
	Length (mm): 30 Colour: Ruby		135	1,33 €





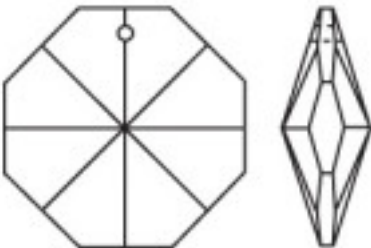

	A60T614		1	0,3376 €
	Octagon 8011/14mm 1 hole Amber		100	0,3127 €
	Length (mm): 14 Colour: Amber		1800	0,3034 €



CRYSTAL FOR LAMPS > Scholer Crystal Austria > Schöler Basic Line

Subfamily Plain octagons

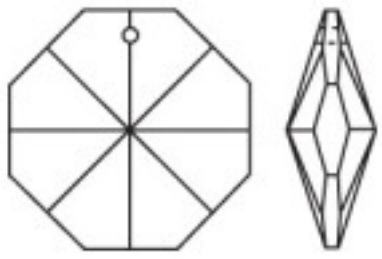

Picture	Article	Description	Lot	Price/Unit
	A60T714		1	0,3376 €
	Octagon 8012/14mm 2 holes Amber		100	0,3127 €
	Length (mm): 14 Colour: Amber			
				

	A60V614		1	0,3376 €
	Octagon 8011/14mm 1 hole Peridot		100	0,3127 €
	Length (mm): 14 Colour: Peridot		1800	0,3034 €
				

CRYSTAL FOR LAMPS > Scholer Crystal Austria > Schöler Basic Line





Subfamily Plain octagons

Picture	Article	Description	Lot	Price/Unit
	A60V724		1	1,04 €
	Octagon 8012/24mm 2 holes Peridot		48	0,98 €
	Length (mm): 24 Colour: Pistachio		240	0,95 €
				

	A60Y614		1	0,3376 €
	Octagon 8011/14mm 1 hole Jet		100	0,3127 €
	Length (mm): 14 Colour: Black		1800	0,3034 €
				

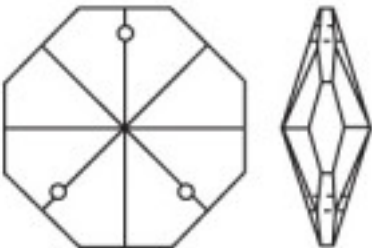

CRYSTAL FOR LAMPS > Scholer Crystal Austria > Schöler Basic Line

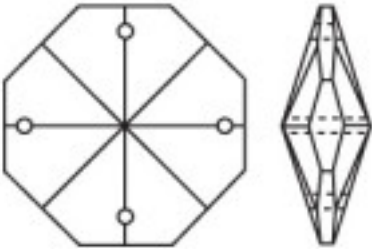

Subfamily **Plain octagons**

Picture	Article	Description	Lot	Price/Unit
	A60Y716		1	0,4416 €
	Octagon 8012/16mm 2 holes Jet		50	0,4091 €
	Length (mm): 16 Colour: Black		900	0,3972 €
	<hr/>			
	A60Y730		1	1,48 €
	Octagon 8012/30mm 2 holes Jet		27	1,38 €
	Length (mm): 30 Colour: Black		135	1,33 €
				

CRYSTAL FOR LAMPS > Scholer Crystal Austria > Schöler Basic Line

Subfamily Plain octagons

Picture	Article	Description	Lot	Price/Unit
	A60Y822		1	1,31 €
	Octagon 8013/22mm 3 holes Jet		50	1,20 €
	Length (mm): 22 Colour: Black		350	1,17 €
				

	A60Y922		1	1,31 €
	Octagon 8014/22mm 4 holes Jet		50	1,20 €
	Length (mm): 22 Colour: Black		350	1,17 €
				

CRYSTAL FOR LAMPS > Scholer Crystal Austria > Schöler Basic Line

Subfamily Plain octagons

Picture	Article	Description	Lot	Price/Unit
	A60Z614		1	0,3376 €
	Octagon 8011/14mm 1 hole Sapphire		100	0,3127 €
	Length (mm): 14 Colour: Sapphire		1800	0,3034 €

