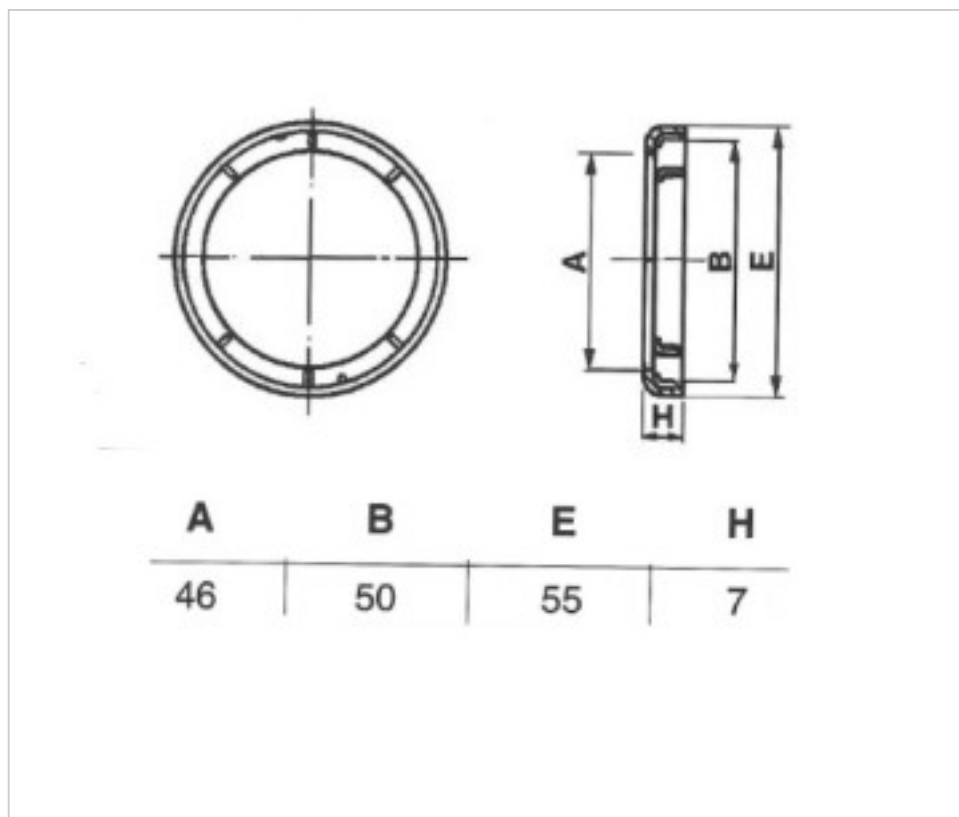


STEAB ACCESORIES > STEAB insulating fittings > STEAB Lighting  
Accessories for shades and ceiling lampss

16548102

5481/50 /// 221 Ring 50mm Nylon66 RV-AE Black

April 05th, 2025, 05:53



**PRICE**

Lot	P.V.P. excluding VAT
1	0,96€
100	0,64€
1000	0,4390€
5000	0,4103€

Continued on next page >>

STEAB ACCESORIES > STEAB insulating fittings > STEAB Lighting  
Accessories for shades and ceiling lampss

16548102

5481/50 /// 221 Ring 50mm Nylon66 RV-AE Black

## TECHNICAL SPECIFICATIONS

---

Weight: 3 Grams

Packging: Bag 1000 Units

## OTHER FEATURES

---

Colour: Black

## DOCUMENTS

---

 [5481/50 /// 221 Ring 50mm Nylon66 RV-AE Black](#)