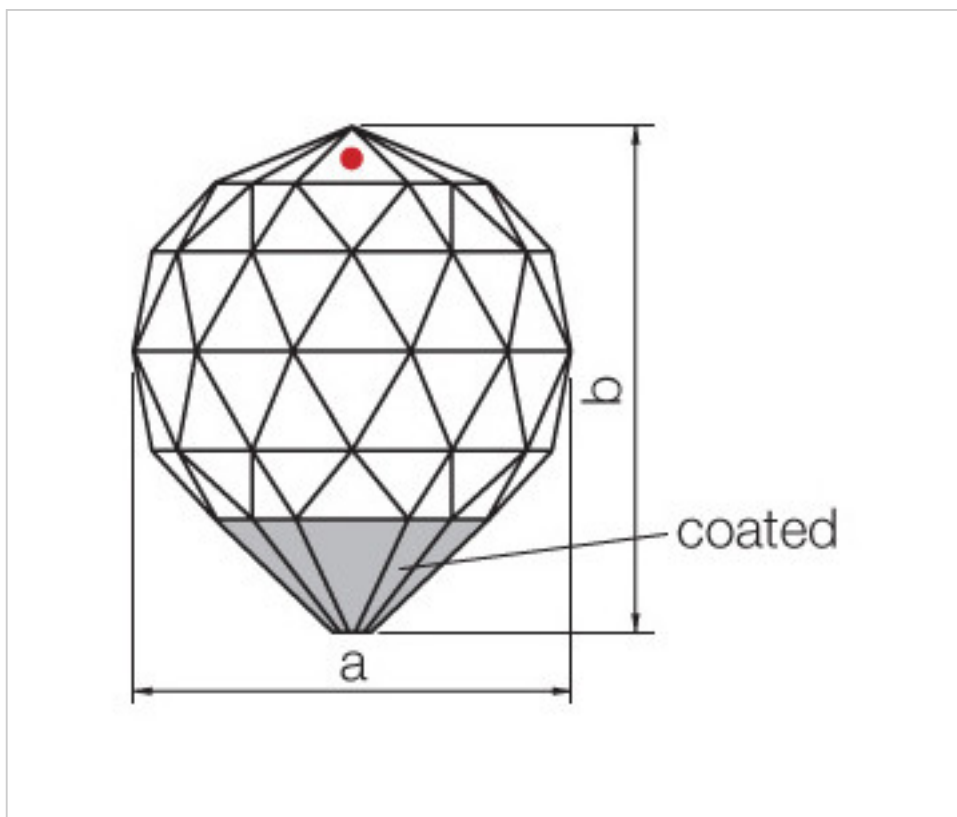


SWAROVSKI CRYSTAL > Strass Swarovski Crystal > Strass Swarovski for gluing
Strass Crystal with CAL coating for gluing

110855051

Ball 7100/50mm CAL'VZ'SI Swarovski Crystal

February 22nd, 2025, 09:07



PRICE

	Lot	P.V.P. excluding VAT
	1	34,51€
	6	27,60€
	12	24,00€



Continued on next page >>

SWAROVSKI CRYSTAL > Strass Swarovski Crystal > Strass Swarovski for gluing
Strass Crystal with CAL coating for gluing

110855051

Ball 7100/50mm CAL'VZ'SI Swarovski Crystal

TECHNICAL SPECIFICATIONS

Weight: 11 Grams

Packging: Box 12 Units

NOTES

Effect CAL VZ SI to glue A=50mm B=55,5mm

OTHER FEATURES

Diameter (mm): 50

Colour: Transparent

DOCUMENTS

 [Ball 7100/50mm CAL"VZ"SI Swarovski Crystal](#)