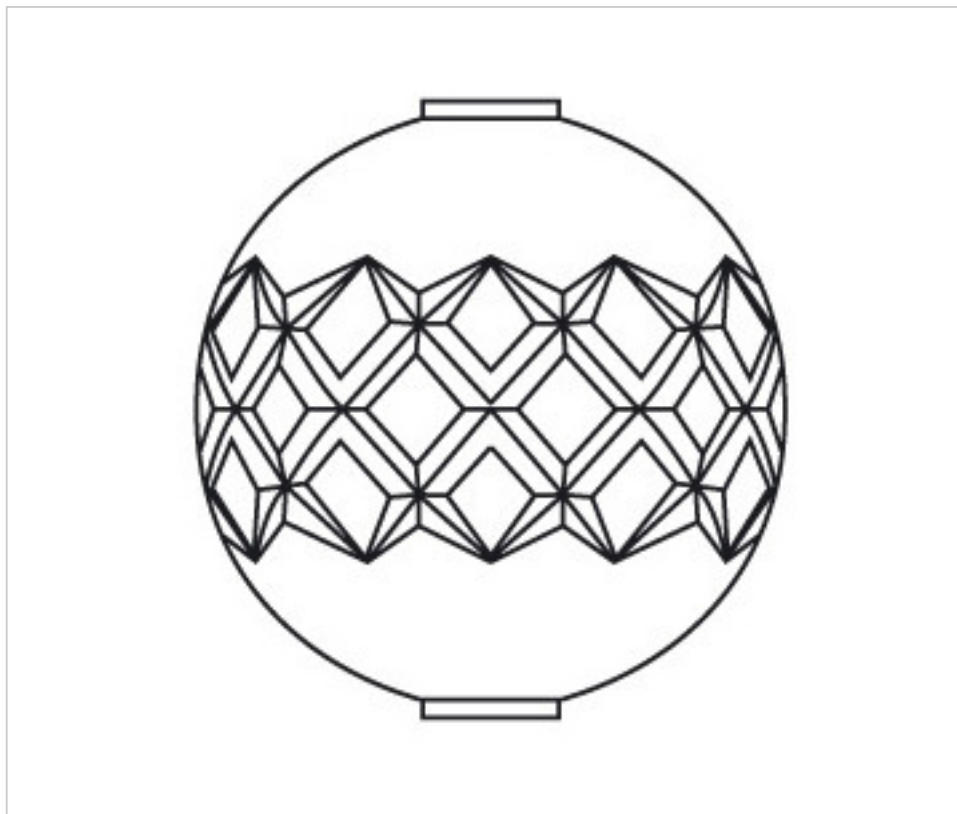


CRYSTAL FOR LAMPS > Scholer Crystal Austria > Schöler Accessories line
Centerparts

E193655

Ball 9365/150.26

January 07th, 2025, 01:13



PRICE

Lot	P.V.P. excluding VAT
1	33,83€

Continued on next page >>

CRYSTAL FOR LAMPS > Scholer Crystal Austria > Schöler Accessories line
Centerparts

E193655

Ball 9365/150.26

TECHNICAL SPECIFICATIONS

Weight: 674 Grams

Packging: Box 1 Units

OTHER FEATURES

Diameter (mm): 150

Colour: Transparent

Central Hole (mm): 40

DOCUMENTS

 [Ball 9365/150.26](#)