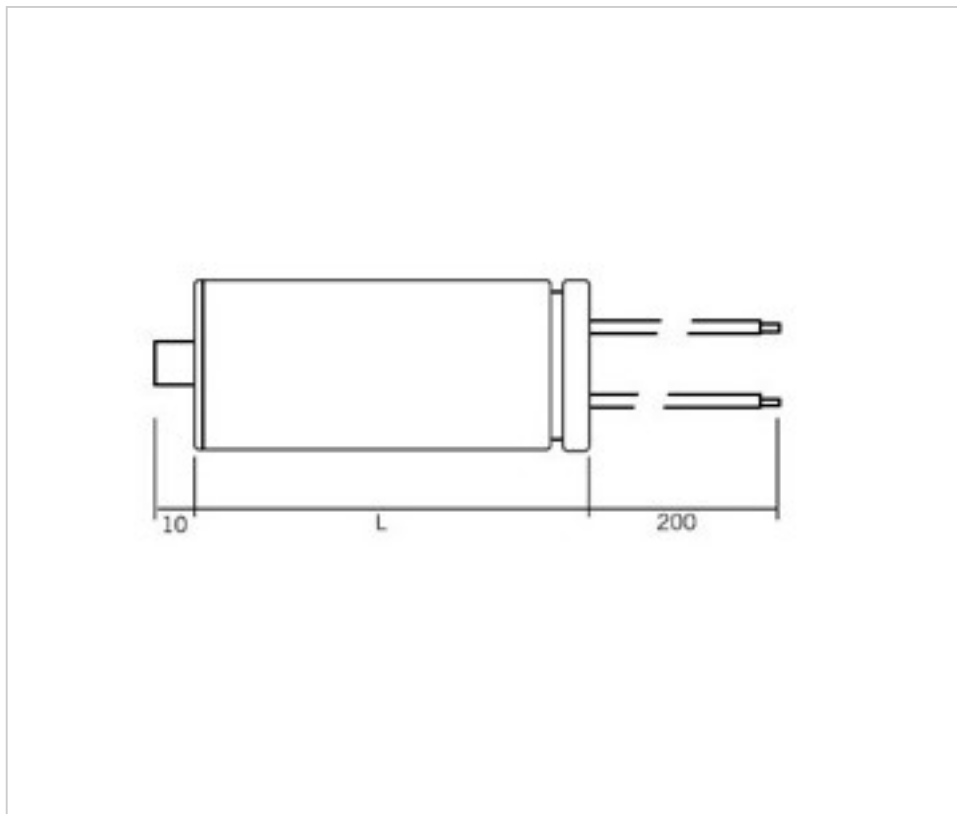


A300103

Capacitor 3.5 microF

February 22nd, 2025, 07:16



DESCRIPTION

Capacitor for fluorescent and discharge screw fixing M8 (including nut and washers) and 200 mm cable.

PRICE

	Lot	P.V.P. excluding VAT
	1	3,37€
	50	3,03€
	150	2,86€



Continued on next page >>

A300103

Capacitor 3.5 microF

TECHNICAL SPECIFICATIONS

CERTIFICADOS



Weight: 24 Grams

NOTES

Capacitor for fluorescent and discharge lamps with screw M8 (nut and washer)

OTHER FEATURES

Length (mm): 56,5

Diameter (mm): 25

Colour: White

Ingress Protection: IP20

DOCUMENTS

 [Capacitor 3.5 microF](#)