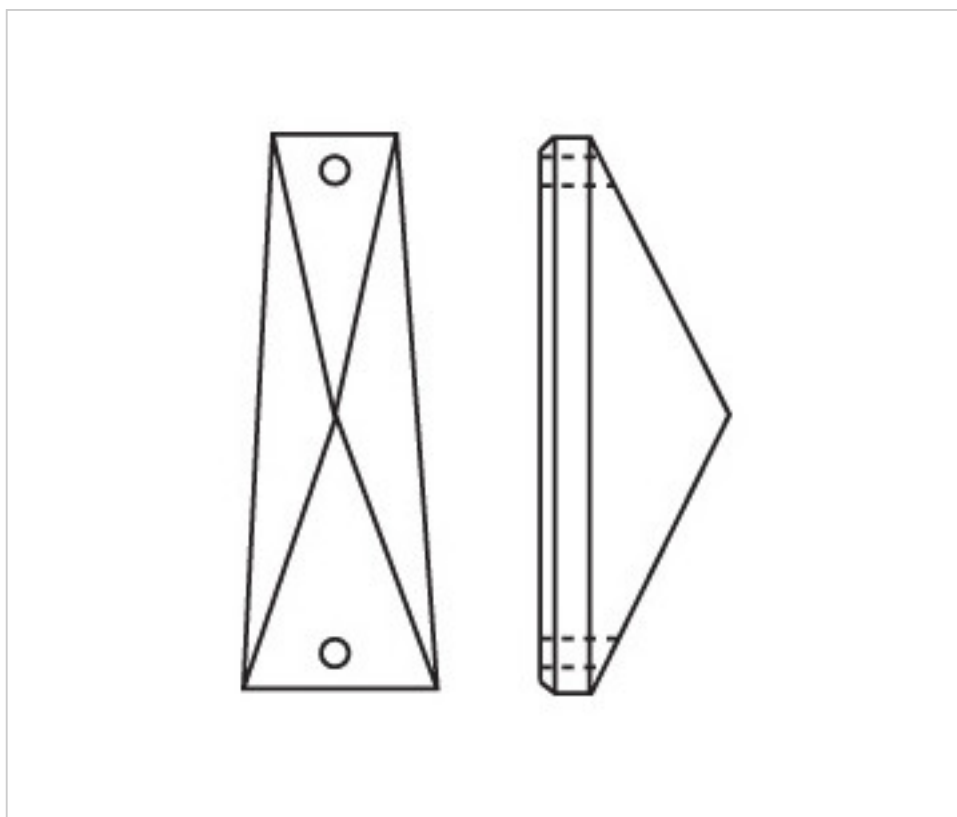


CRYSTAL FOR LAMPS > Scholer Crystal Austria > Schöler Basic Line
Plain Coffin Stones

A666952

Rectangle 4009/52x18mm (ex 4022) 2 holes

November 23rd, 2024, 10:39



PRICE

	Lot	P.V.P. excluding VAT
Pedido mínimo	210	0,69€

Continued on next page >>

CRYSTAL FOR LAMPS > Scholer Crystal Austria > Schöler Basic Line
Plain Coffin Stones

A666952

Rectangle 4009/52x18mm (ex 4022) 2 holes

TECHNICAL SPECIFICATIONS

Weight: 10927.2 Kilograms

Packging: Box 210 Units

OTHER FEATURES

Length (mm): 52

Width (mm): 18

Colour: Transparent

DOCUMENTS

 [Rectangle 4009/52x18mm \(ex 4022\) 2 holes](#)