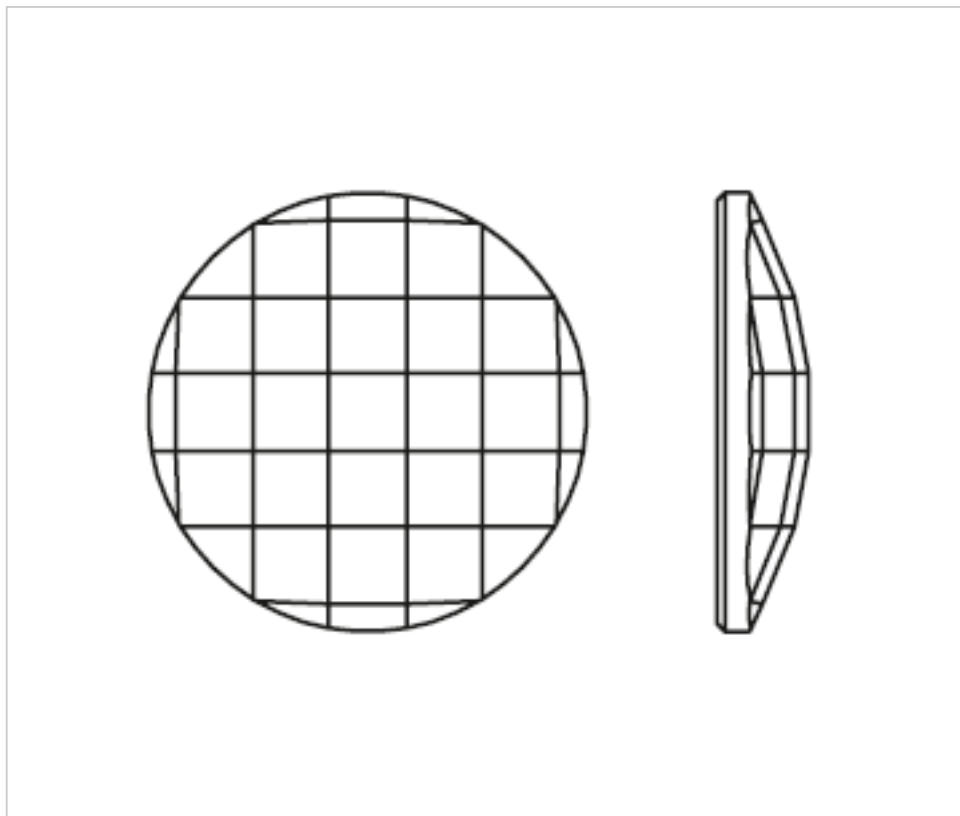


SWAROVSKI CRYSTAL > Strass Swarovski Crystal > Strass Swarovski for gluing
Flat Strass crystal with CAL coating in flat part

113783205

Crystal Circle 8083 020mm 002 Sage

December 03rd, 2024, 18:32



PRICE

Lot	P.V.P. excluding VAT
1	5,15€
72	4,12€
360	3,58€

Continued on next page >>

SWAROVSKI CRYSTAL > Strass Swarovski Crystal > Strass Swarovski for gluing
Flat Strass crystal with CAL coating in flat part

113783205

Crystal Circle 8083 020mm 002 Sage

TECHNICAL SPECIFICATIONS

Weight: 3 Grams

Packging: Box 360 Units

NOTES

Effect applied to flat part dimensions A=20mm(+/- 0.3mm) B=3.8mm(0.3mm +/-)

OTHER FEATURES

Length (mm): 20