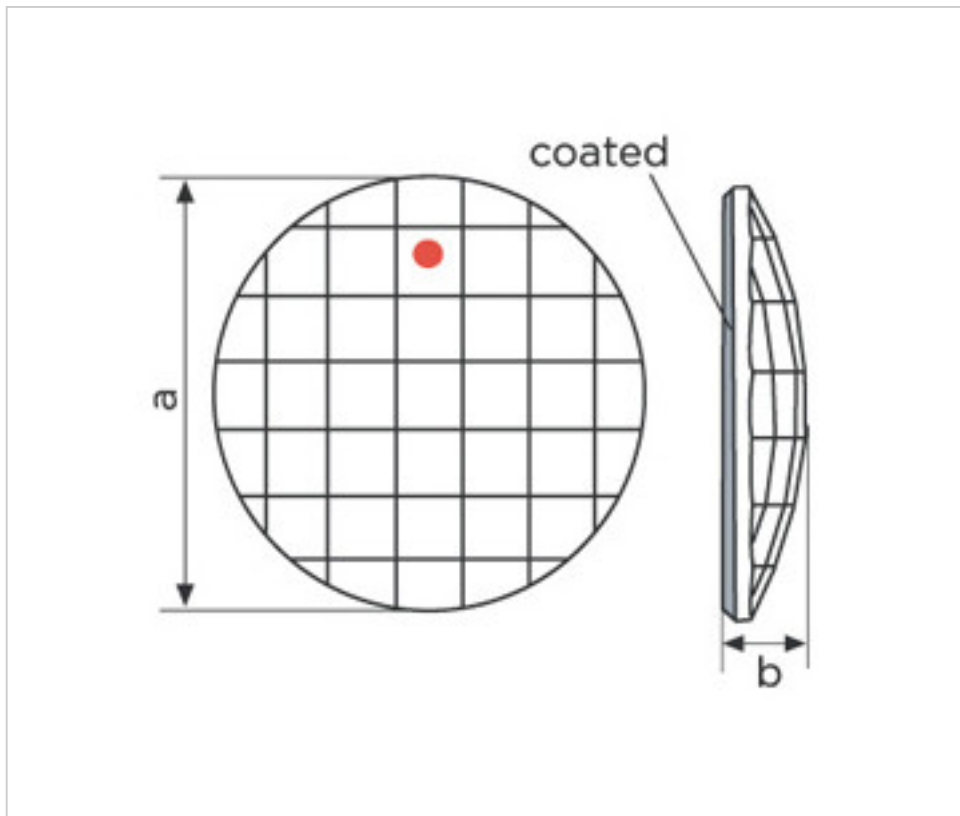


SWAROVSKI CRYSTAL > Strass Swarovski Crystal > Strass Swarovski for gluing  
Flat Strass crystal with CAL coating in flat part

113783204

**CRYSTAL CIRCLE 8083 020mm 002 Sahara**

October 02nd, 2024, 04:29



**PRICE**

Lot	P.V.P. excluding VAT
1	5,53€
20	4,43€
40	3,84€



Continued on next page >>

SWAROVSKI CRYSTAL > Strass Swarovski Crystal > Strass Swarovski for gluing  
Flat Strass crystal with CAL coating in flat part

113783204

**CRYSTAL CIRCLE 8083 020mm 002 Sahara**

## TECHNICAL SPECIFICATIONS

---

Weight: 3 Grams

Packging: Box 40 Units

## NOTES

---

Effect applied to flat side. Measurements:A=20mm(+/- 0.3mm)

## DOCUMENTS

---

 [CRYSTAL CIRCLE 8083 020mm 002 Sahara](#)