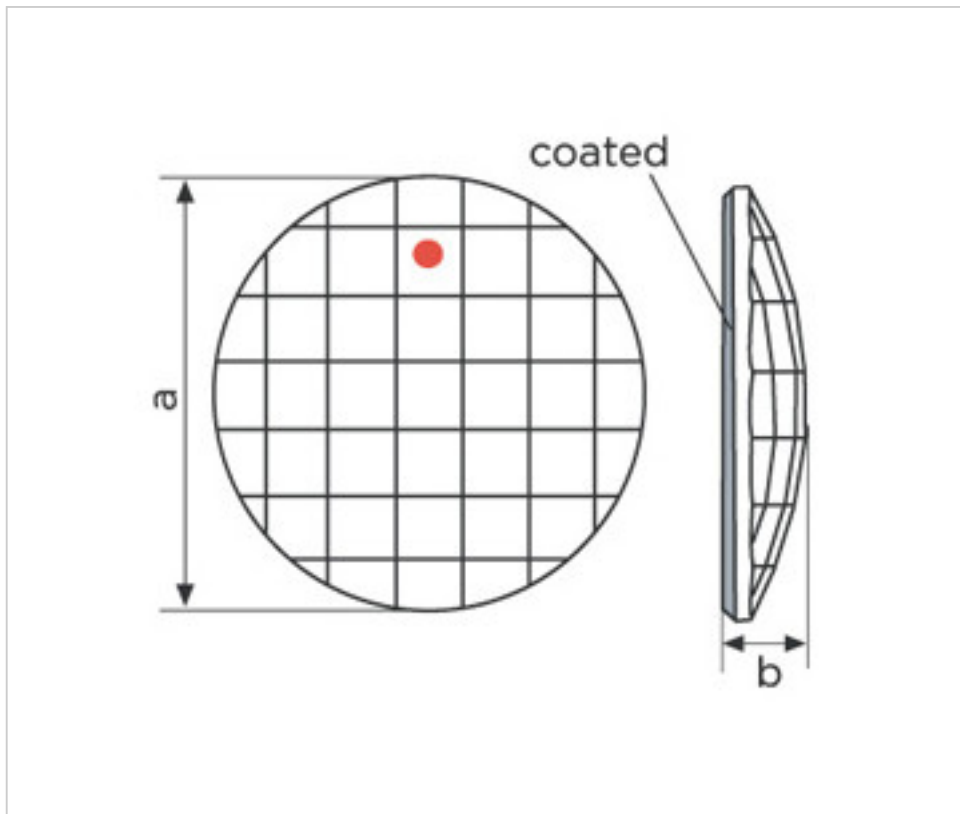


SWAROVSKI CRYSTAL > Strass Swarovski Crystal > Strass Swarovski for gluing
Flat Strass crystal with CAL coating in flat part

113783303 - 1066835

Chessboard Circle 2035/30mm CAL´V´SI Swarovski Crystal

December 22nd, 2024, 04:02



PRICE

	Lot	P.V.P. excluding VAT
	1	10,49€
	6	8,40€
	12	7,31€



Continued on next page >>

SWAROVSKI CRYSTAL > Strass Swarovski Crystal > Strass Swarovski for gluing
Flat Strass crystal with CAL coating in flat part

113783303 - 1066835

Chessboard Circle 2035/30mm CAL`V`SI Swarovski Crystal

TECHNICAL SPECIFICATIONS

Weight: 10 Grams

Packging: Box 12 Units

NOTES

Effect applied to flat part dimensions A=30mm(+/- 0.3mm) B=6.2mm(0.3mm +/-)

DOCUMENTS

 [Chessboard Circle 2035/30mm CAL`V`SI Swarovski Crystal](#)