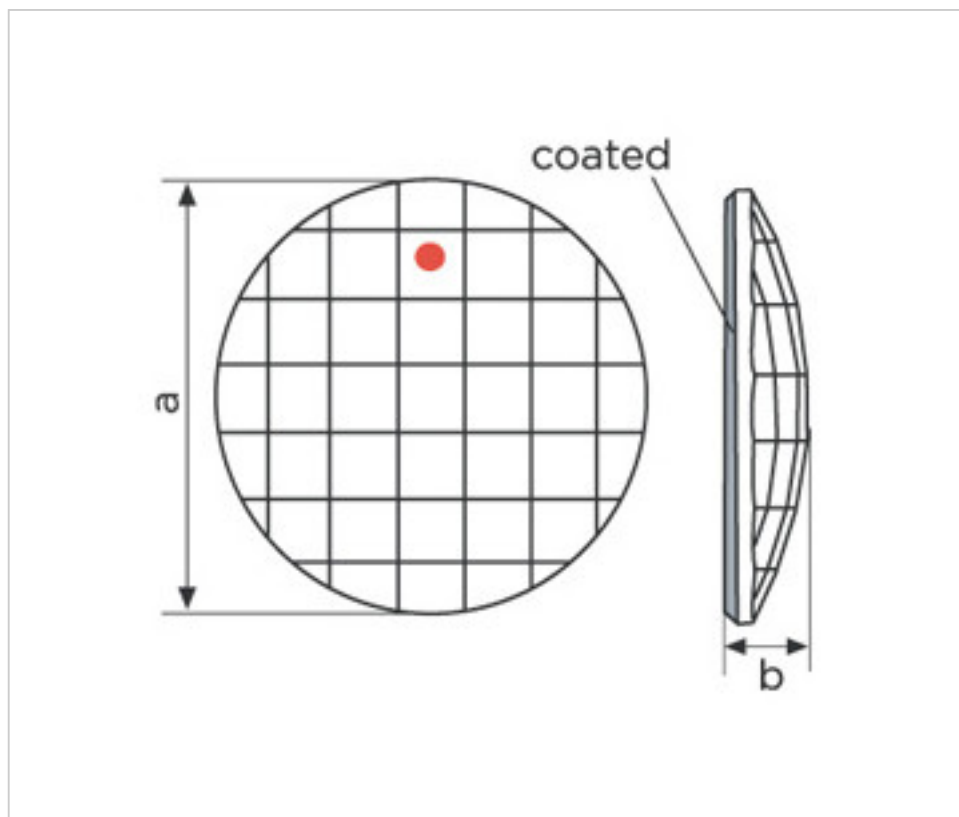


SWAROVSKI CRYSTAL > Strass Swarovski Crystal > Strass Swarovski for gluing  
Flat Strass crystal with CAL coating in flat part

113783403 - 1066846

**Chessboard Circle 2035/40mm CAL´V´SI Swarovski Crystal**

January 03rd, 2025, 06:18



**PRICE**

	Lot	P.V.P. excluding VAT
	1	21,44€
	3	17,15€
	6	14,91€



Continued on next page >>

SWAROVSKI CRYSTAL > Strass Swarovski Crystal > Strass Swarovski for gluing  
Flat Strass crystal with CAL coating in flat part

113783403 - 1066846

**Chessboard Circle 2035/40mm CAL`V`SI Swarovski Crystal**

## TECHNICAL SPECIFICATIONS

---

Weight: 21 Grams

Packging: Box 6 Units

## NOTES

---

Effect applied to flat dimensions A=40mm(+/- 0.3mm) B= 7.7mm(0.3mm +/-)

## DOCUMENTS

---

 [Chessboard Circle 2035/40mm CAL`V`SI Swarovski Crystal](#)