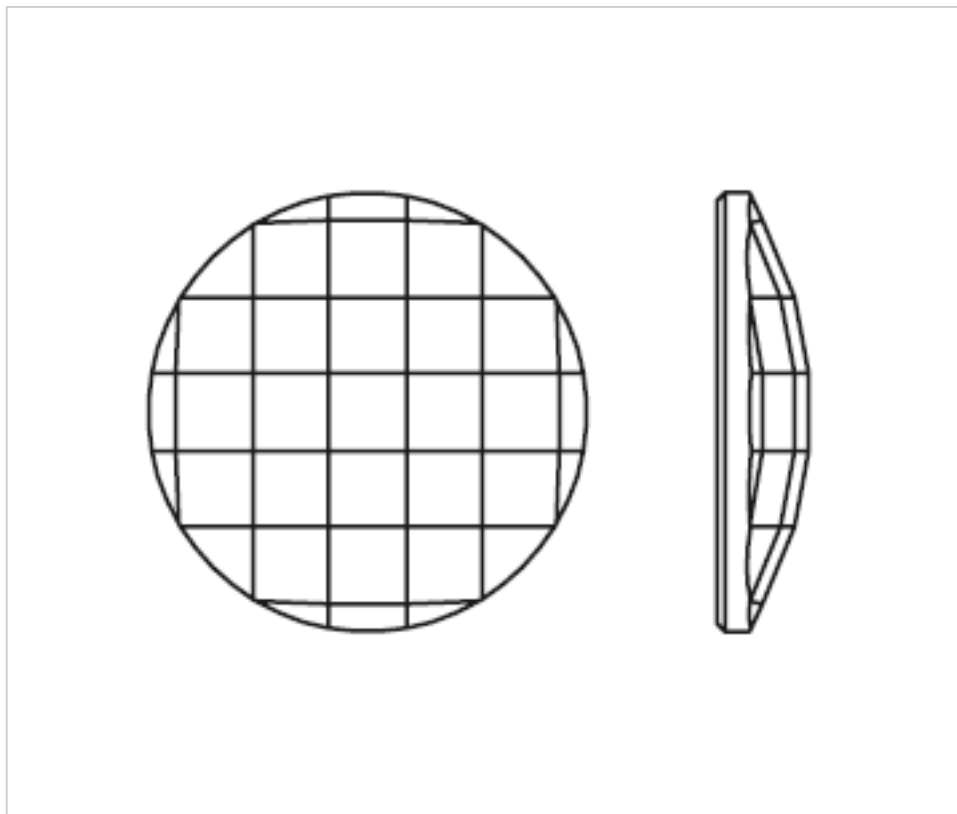


SWAROVSKI CRYSTAL > Strass Swarovski Crystal > Strass Swarovski for gluing  
Flat Strass crystal with CAL coating in flat part

113783405

**Chessboard Circle 2035/40 Sage Swarovski Crystal**

January 03rd, 2025, 06:14



**PRICE**

|  | Lot | P.V.P. excluding VAT |
|--|-----|----------------------|
|  | 1   | 16,07€               |
|  | 3   | 12,85€               |
|  | 6   | 11,17€               |



Continued on next page >>

SWAROVSKI CRYSTAL > Strass Swarovski Crystal > Strass Swarovski for gluing  
Flat Strass crystal with CAL coating in flat part

113783405

**Chessboard Circle 2035/40 Sage Swarovski Crystal**

## **TECHNICAL SPECIFICATIONS**

---

Weight: 21 Grams

Packging: Box 6 Units

## **NOTES**

---

Effect applied to flat part dimensions A=40mm(+/- 0.3mm) B= 7.7mm(0.3mm +/-)

## **OTHER FEATURES**

---

Length (mm): 40