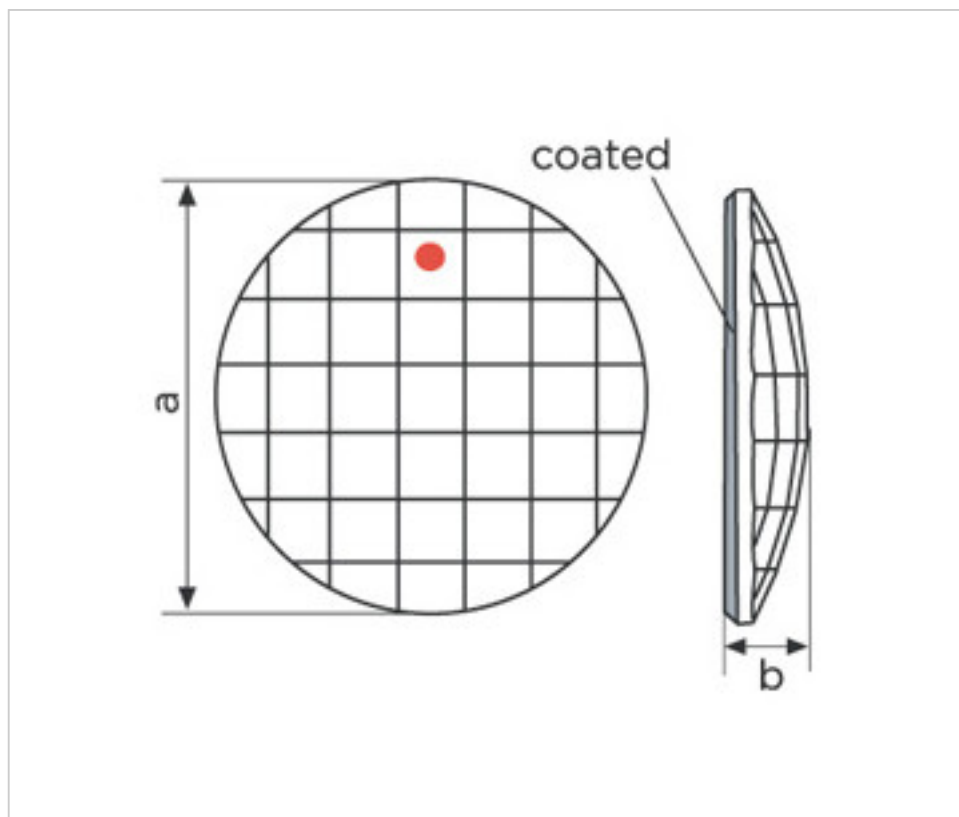


SWAROVSKI CRYSTAL > Strass Swarovski Crystal > Strass Swarovski for gluing
Flat Strass crystal with CAL coating in flat part

113783404 - 1066854

Chessboard Circle 2035/40mm Sahara Swarovski Crystal

February 01st, 2025, 19:36



PRICE

	Lot	P.V.P. excluding VAT
	1	13,14€
	3	10,51€
	6	9,15€



Continued on next page >>

SWAROVSKI CRYSTAL > Strass Swarovski Crystal > Strass Swarovski for gluing
Flat Strass crystal with CAL coating in flat part

113783404 - 1066854

Chessboard Circle 2035/40mm Sahara Swarovski Crystal

TECHNICAL SPECIFICATIONS

Weight: 21 Grams

Packging: Box 6 Units

NOTES

Effect applied to flat part dimensions A=40mm(+/- 0.3mm) B= 7.7mm(0.3mm +/-)

DOCUMENTS

 [Chessboard Circle 2035/40mm Sahara Swarovski Crystal](#)