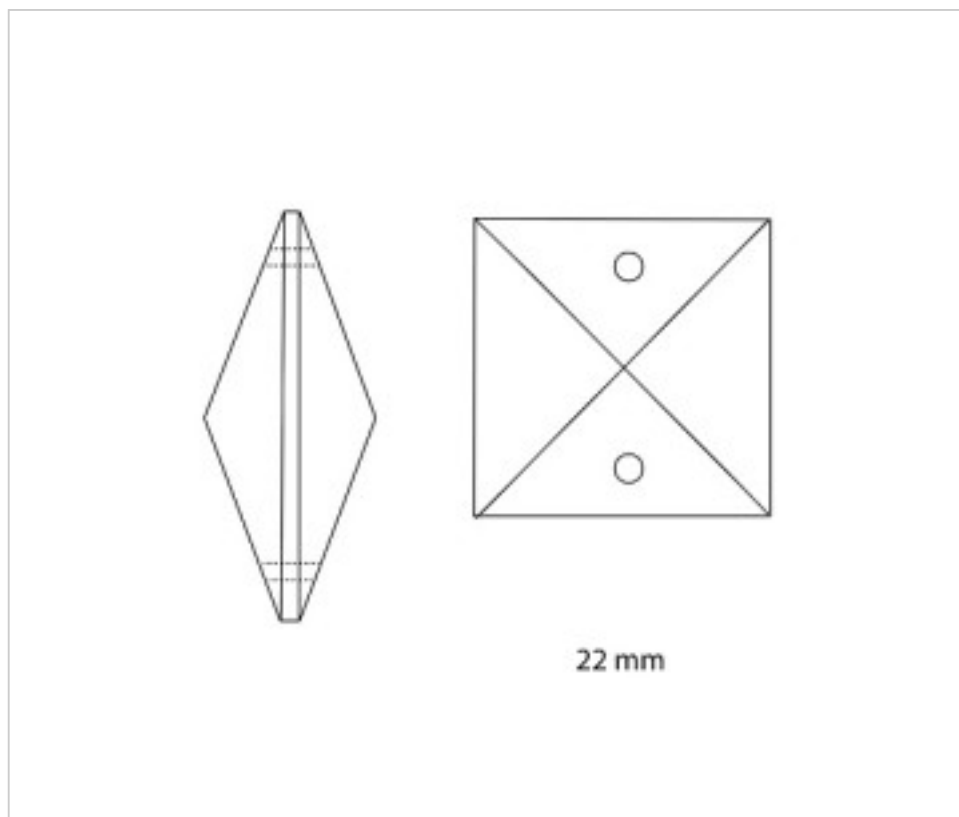


SWAROVSKI CRYSTAL > Strass Swarovski Crystal > Strass Octagons , Ovals and Squares
Squares Strass

110802623

Square 8026/22mm - CAL Swarovski Crystal

April 05th, 2025, 01:13



PRICE

Lot	P.V.P. excluding VAT
1	0,95€
30	0,91€
210	0,88€

Continued on next page >>

SWAROVSKI CRYSTAL > Strass Swarovski Crystal > Strass Octagons , Ovals and Squares
Squares Strass

110802623

Square 8026/22mm - CAL Swarovski Crystal

TECHNICAL SPECIFICATIONS

Weight: 1 Grams

NOTES

With effect CAL in the basis for gluing

OTHER FEATURES

Width (mm): 22

High (mm): 22

Colour: Transparent

DOCUMENTS

 [Square 8026/22mm - CAL Swarovski Crystal](#)