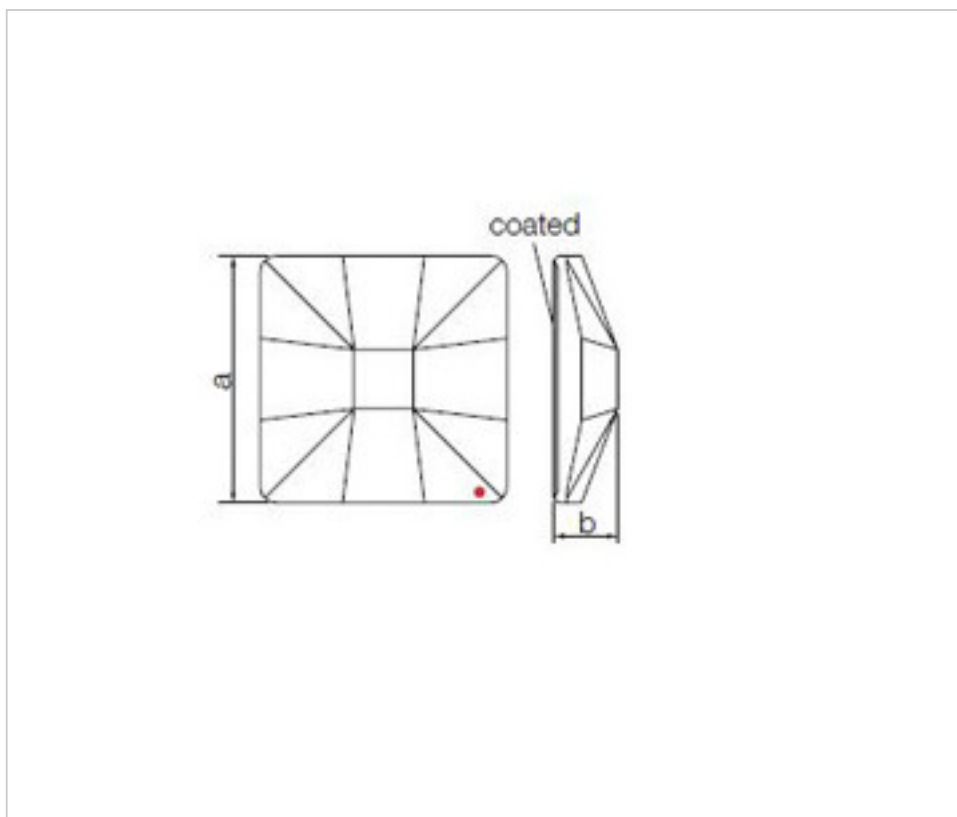


SWAROVSKI CRYSTAL > Strass Swarovski Crystal > Strass Swarovski for gluing
Flat Strass crystal with CAL coating in flat part

113783102

Crystal Square 8083 010 001 Blazing Red

January 05th, 2025, 09:08



PRICE

	Lot	P.V.P. excluding VAT
	1	0,69€
	245	0,62€
	980	0,60€



Continued on next page >>

SWAROVSKI CRYSTAL > Strass Swarovski Crystal > Strass Swarovski for gluing
Flat Strass crystal with CAL coating in flat part

113783102

Crystal Square 8083 010 001 Blazing Red

TECHNICAL SPECIFICATIONS

Packging: Box 980 Units

NOTES

Coated in flat part dimensions (mm) A = 10 (+/- 0.3) B = 3.5 (0.3 +/-)

OTHER FEATURES

Length (mm): 10

Width (mm): 10

DOCUMENTS

 [Crystal Square 8083 010 001 Blazing Red](#)