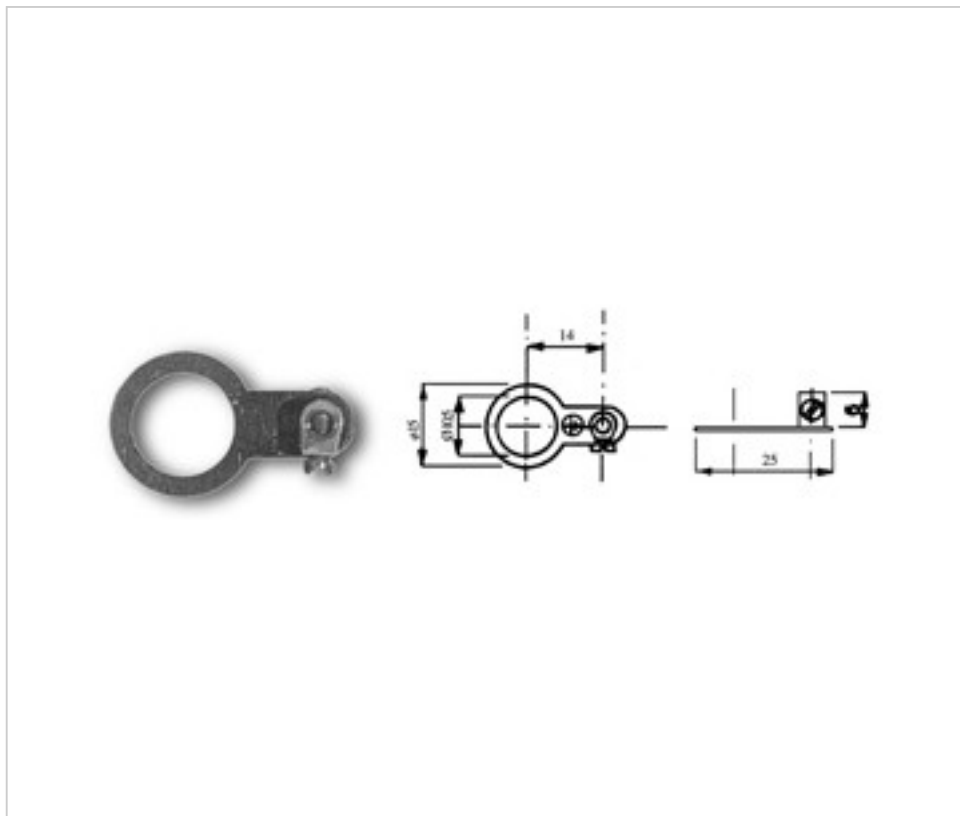


METALLIC ACCESORIES > Other Metallic Accesories > Earth connectors
Grounding with screw

A529110

Earth terminal 10mm diam

April 05th, 2025, 05:35



PRICE

	Lot	P.V.P. excluding VAT
	1	0,2592€
	100	0,1728€
	1000	0,1153€
	2500	0,1048€

Continued on next page >>

METALLIC ACCESORIES > Other Metallic Accesories > Earth connectors
Grounding with screw

A529110

Earth terminal 10mm diam

TECHNICAL SPECIFICATIONS

Weight: 1 Grams

Packging: Bag 2500 Units

NOTES

Earth terminal 10mm diameter

OTHER FEATURES

Diameter (mm): 10