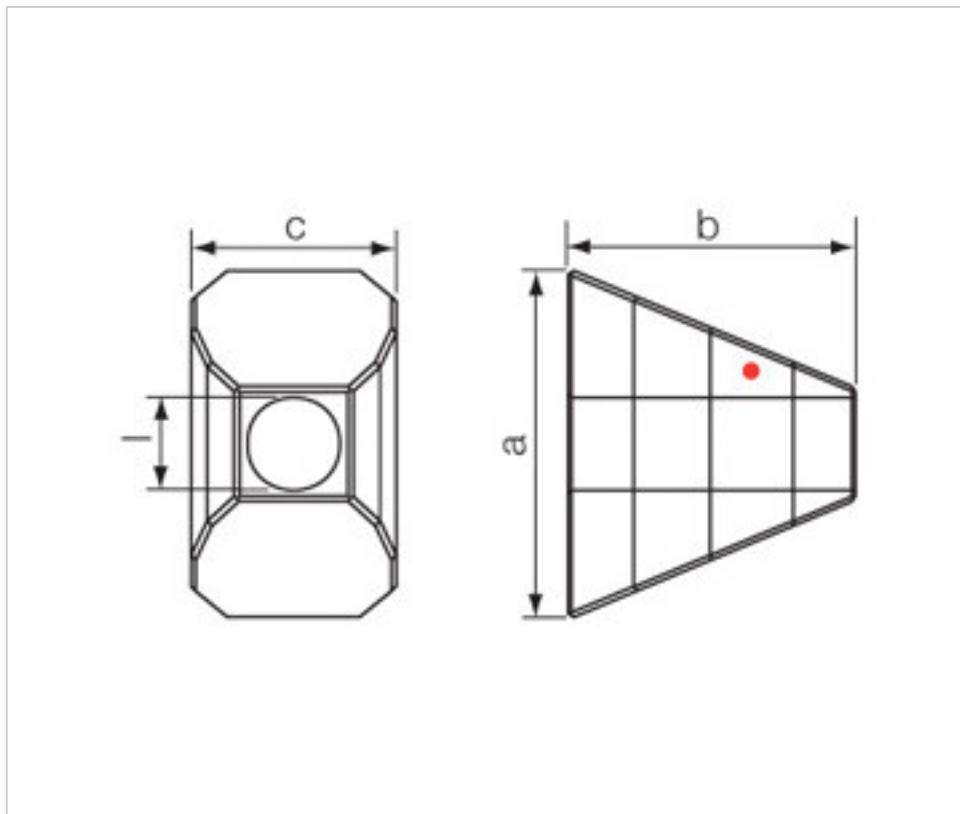


SWAROVSKI CRYSTAL > Strass Swarovski Crystal > Strass Knots and Handles
Strass Handles

113798724

Handle Flame 8988/000 // 004 20mm CAL 'VZ'SI

November 21st, 2024, 14:36



Continued on next page >>

SWAROVSKI CRYSTAL > Strass Swarovski Crystal > Strass Knots and Handles
Strass Handles

113798724

Handle Flame 8988/000 // 004 20mm CAL 'VZ'SI

TECHNICAL SPECIFICATIONS

Weight: 8 Grams

Packging: Box 240 Units

NOTES

Effect porterior coated in part. Dimensions: a=20mm, b=17mm, c=12.5 mm

OTHER FEATURES

Length (mm): 17

Width (mm): 12,5

High (mm): 20

DOCUMENTS

 [Handle Flame 8988/000 // 004 20mm CAL "VZ"SI](#)