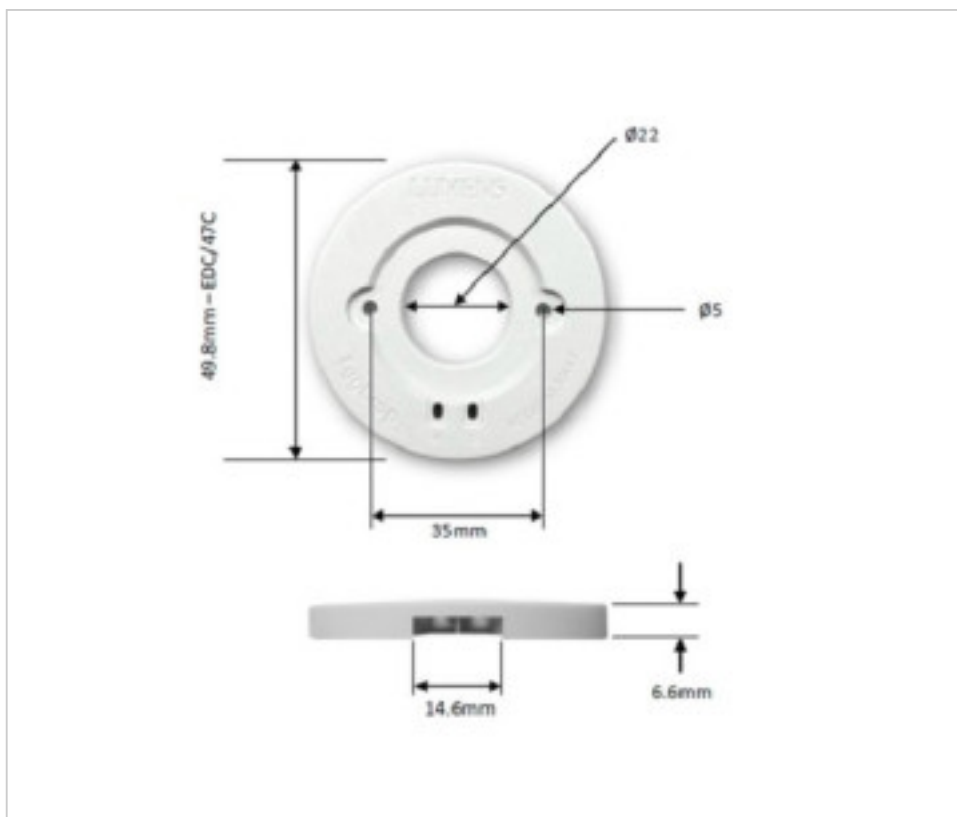


LUEHL47T

Holder D50 for EDC/47C transparent

November 03rd, 2024, 12:29



PRICE

| | Lot | P.V.P. excluding VAT |
|--|-----|----------------------|
| | 1 | 0,83€ |
| | 5 | 0,69€ |
| | 50 | 0,57€ |
| | 100 | 0,55€ |



Continued on next page >>

LED TECHNOLOGY > Led modules > Led Lumens Modules
EggDrop G-series

LUEHL47T

Holder D50 for EDC/47C transparent

TECHNICAL SPECIFICATIONS

CERTIFICADOS



Weight: 4 Grams

NOTES

UNTIL STOCK LAST. Zhaga standard. 5.5mm diameter fastening holes spaced 35mm between centers.

OTHER FEATURES

High (mm): 6,6

Diameter (mm): 50

Colour: Transparent

DOCUMENTS

 [Data Sheet](#)

