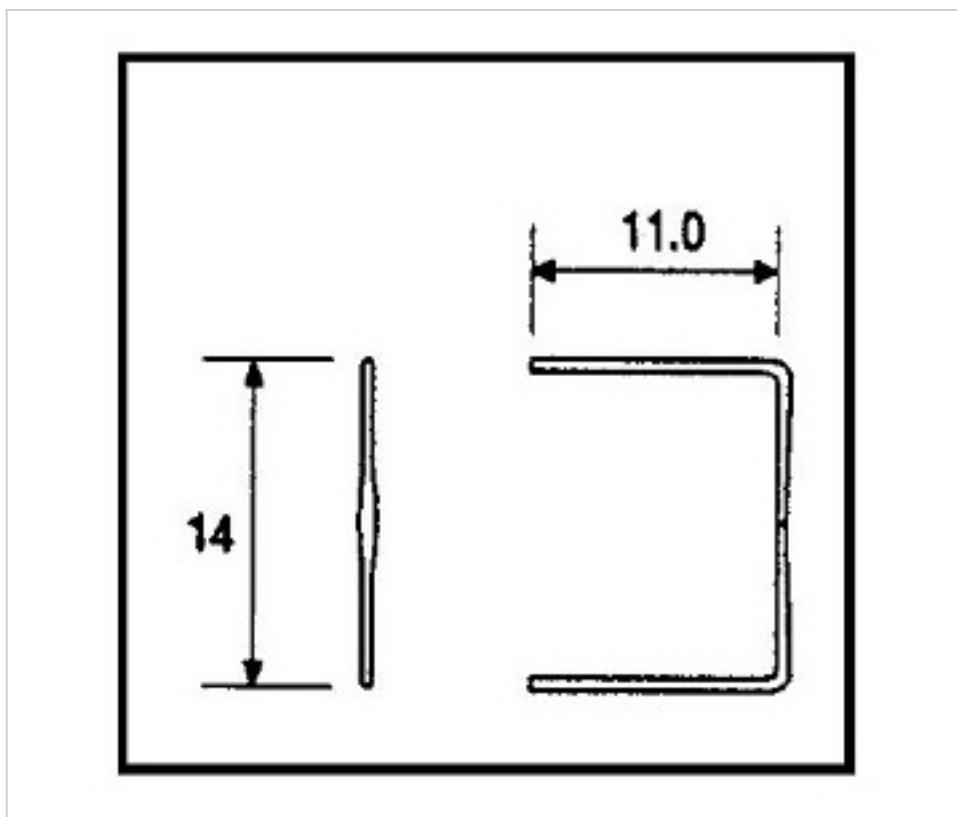


CRYSTAL FOR LAMPS > Scholer Crystal Austria > Schöler Accessories line
Accessories linker and pasted

E19151140

Long leg loop 9151 14mm Brass

January 22nd, 2025, 01:03



PRICE

	Lot	P.V.P. excluding VAT
Pedido mínimo	5680	0,0090€



Continued on next page >>

CRYSTAL FOR LAMPS > Scholer Crystal Austria > Schöler Accessories line
Accessories linker and pasted

E19151140

Long leg loop 9151 14mm Brass

TECHNICAL SPECIFICATIONS

Weight: 0 Grams

Packging: Box 5680 Units

OTHER FEATURES

High (mm): 14

Colour: Brass