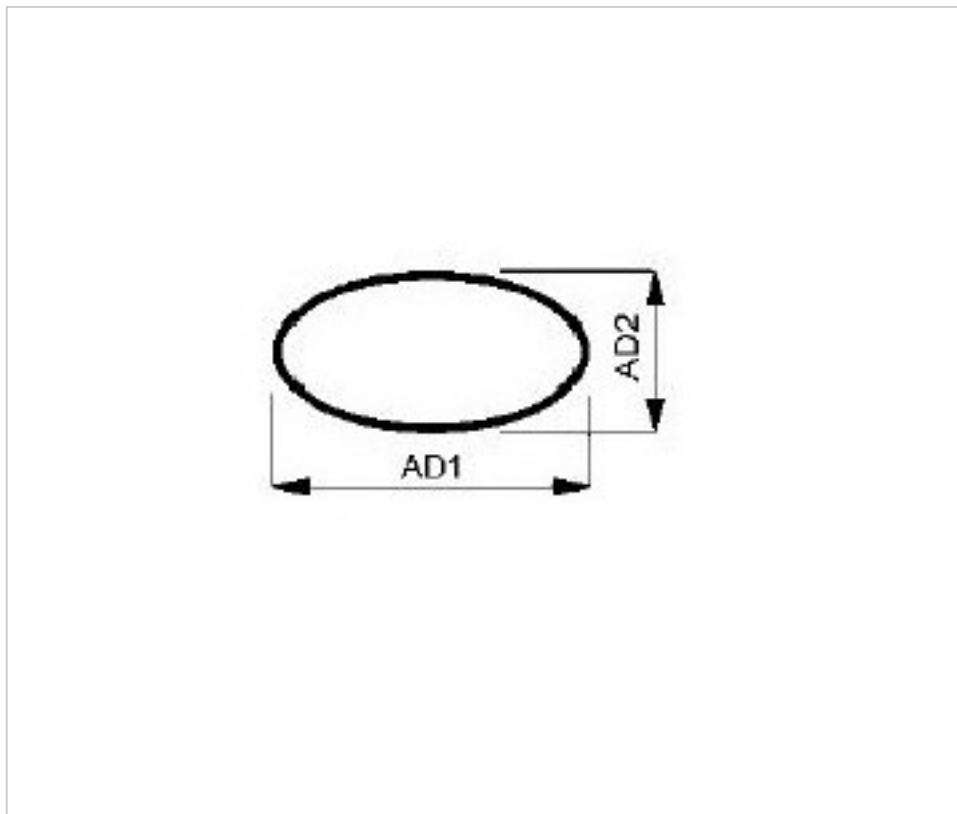


CRYSTAL FOR LAMPS > Crystal Tubes and Rods > Raw Glass  
Glass Tubes

**A807200**

**Plain tube CONTURAX 140x68mm thickness 3,3mm**

February 01st, 2025, 20:11



## DESCRIPTION

View technical data sheet <a href="https://www.koalacomponents.com/wp-content/uploads/2015/07/schott-tubing\_datasheet\_conturax-pro\_english.pdf" > here </a>

## PRICE

	Lot	P.V.P. excluding VAT
Pedido mínimo	7	19,14€

Continued on next page >>

CRYSTAL FOR LAMPS > Crystal Tubes and Rods > Raw Glass  
Glass Tubes

A807200

Plain tube CONTURAX 140x68mm thickness 3,3mm

## TECHNICAL SPECIFICATIONS

---

Weight: 3.7 Kilograms

Packging: Box 7,4 Kilos

## NOTES

---

Thickness of the wall glass 3,3mm

## OTHER FEATURES

---

Length (mm): 1500

Width (mm): 140

High (mm): 68

Colour: Transparent

## DOCUMENTS

---

 [Plain tube CONTURAX 140x68mm thickness 3,3mm](#)