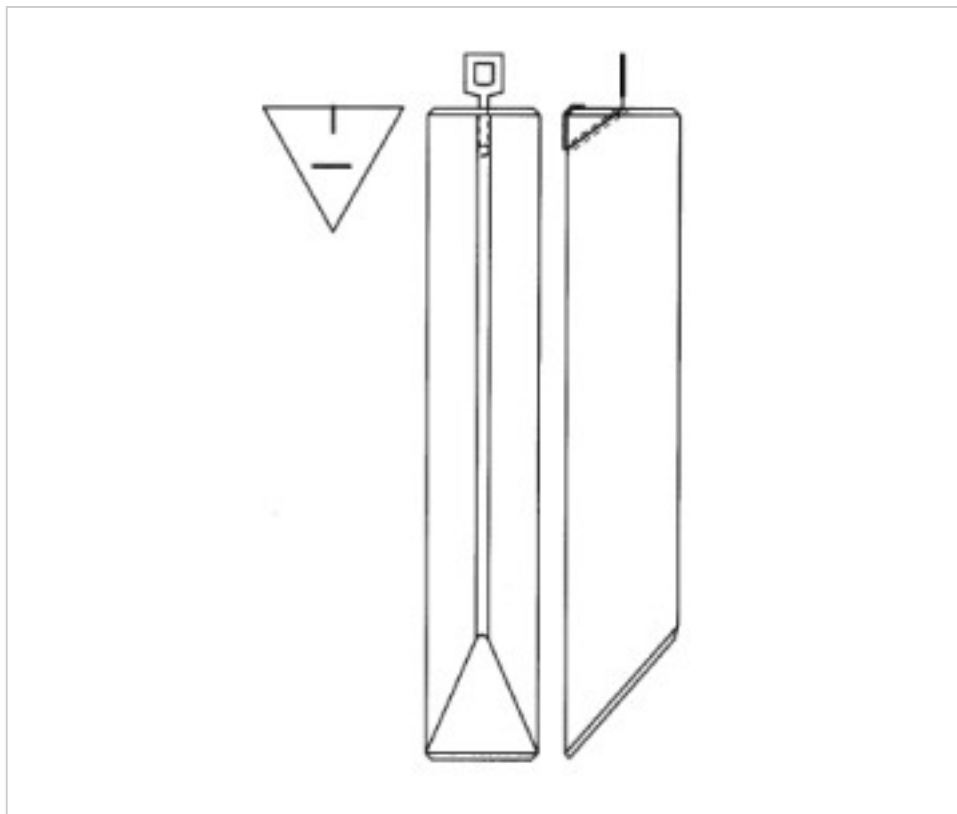


CRYSTAL FOR LAMPS > Scholer Crystal Austria > Schöler Accessories line
Bars

E1958715

Triangular bar beveled cut Z.9587 150mm

February 01st, 2025, 20:57



PRICE

	Lot	P.V.P. excluding VAT
Pedido mínimo	12	9,66€

Continued on next page >>

CRYSTAL FOR LAMPS > Scholer Crystal Austria > Schöler Accessories line
Bars

E1958715

Triangular bar beveled cut Z.9587 150mm

TECHNICAL SPECIFICATIONS

Weight: 104 Grams

Packging: Box 12 Units

NOTES

diameter 30x30x30mm

OTHER FEATURES

Length (mm): 150

Colour: Transparent

DOCUMENTS

 [Triangular bar beveled cut Z.9587 150mm](#)