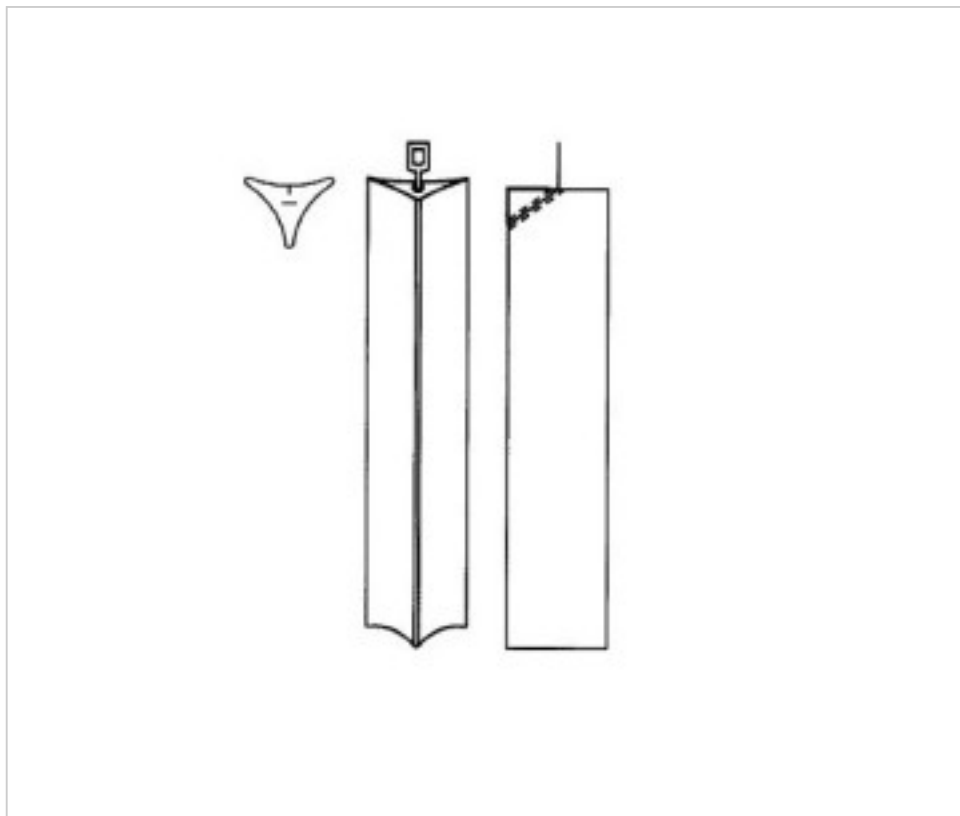


CRYSTAL FOR LAMPS > Scholer Crystal Austria > Schöler Accessories line
Bars

E1959020

Triangular bar straight cut Z.9590 200mm chrome clip

October 02nd, 2024, 04:03



PRICE

	Lot	P.V.P. excluding VAT
Pedido mínimo	6	6,34€



Continued on next page >>

CRYSTAL FOR LAMPS > Scholer Crystal Austria > Schöler Accessories line
Bars

E1959020

Triangular bar straight cut Z.9590 200mm chrome clip

TECHNICAL SPECIFICATIONS

Weight: 250 Grams

NOTES

diameter 30x30x30mm

OTHER FEATURES

Length (mm): 200

Colour: Transparent

DOCUMENTS

 [Triangular bar straight cut Z.9590 200mm chrome clip](#)