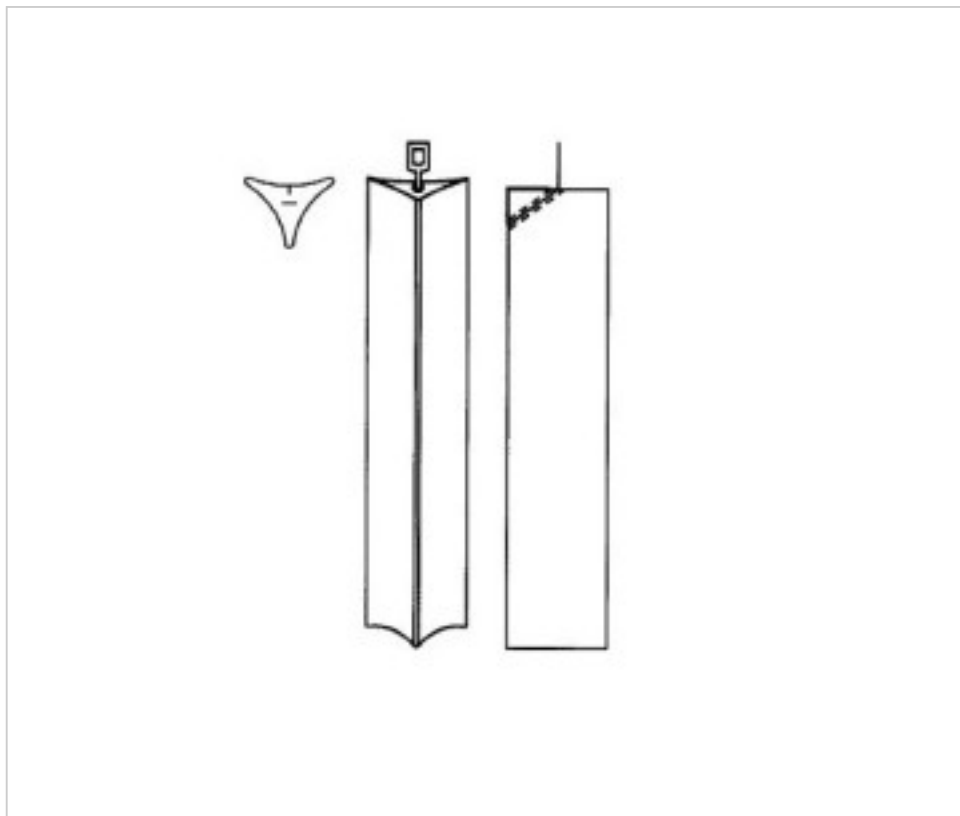


CRYSTAL FOR LAMPS > Scholer Crystal Austria > Schöler Accessories line
Bars

E1959025

Triangular bar straight cut Z.9590 250mm chrome clip

November 21st, 2024, 14:29



PRICE

	Lot	P.V.P. excluding VAT
Pedido mínimo	6	8,67€

Continued on next page >>

CRYSTAL FOR LAMPS > Scholer Crystal Austria > Schöler Accessories line
Bars

E1959025

Triangular bar straight cut Z.9590 250mm chrome clip

TECHNICAL SPECIFICATIONS

Weight: 175 Grams

Packging: Box 6 Units

NOTES

diameter 30x30x30mm

OTHER FEATURES

Length (mm): 250

Colour: Transparent

DOCUMENTS

 [Triangular bar straight cut Z.9590 250mm chrome clip](#)