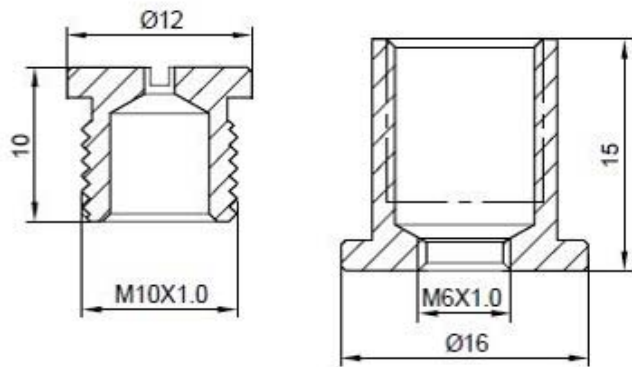
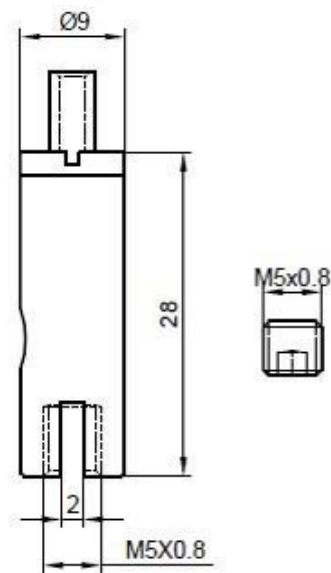


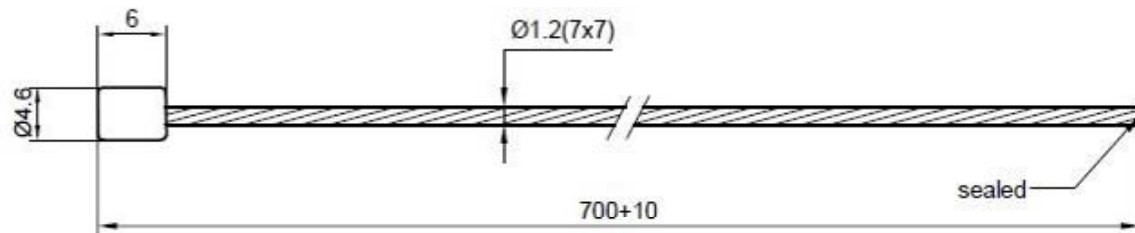
A
material: brass
finish: nickel



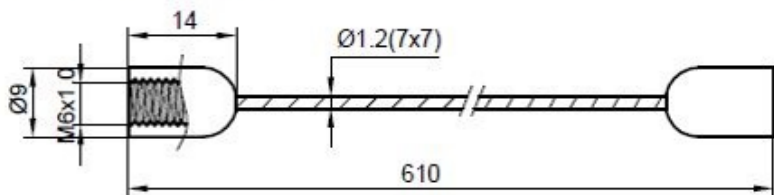
B
material: brass
finish: nickel



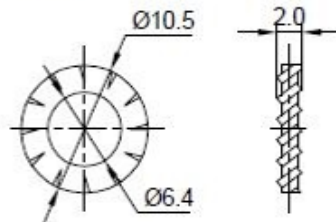
C
material: steel
finish: galvanized



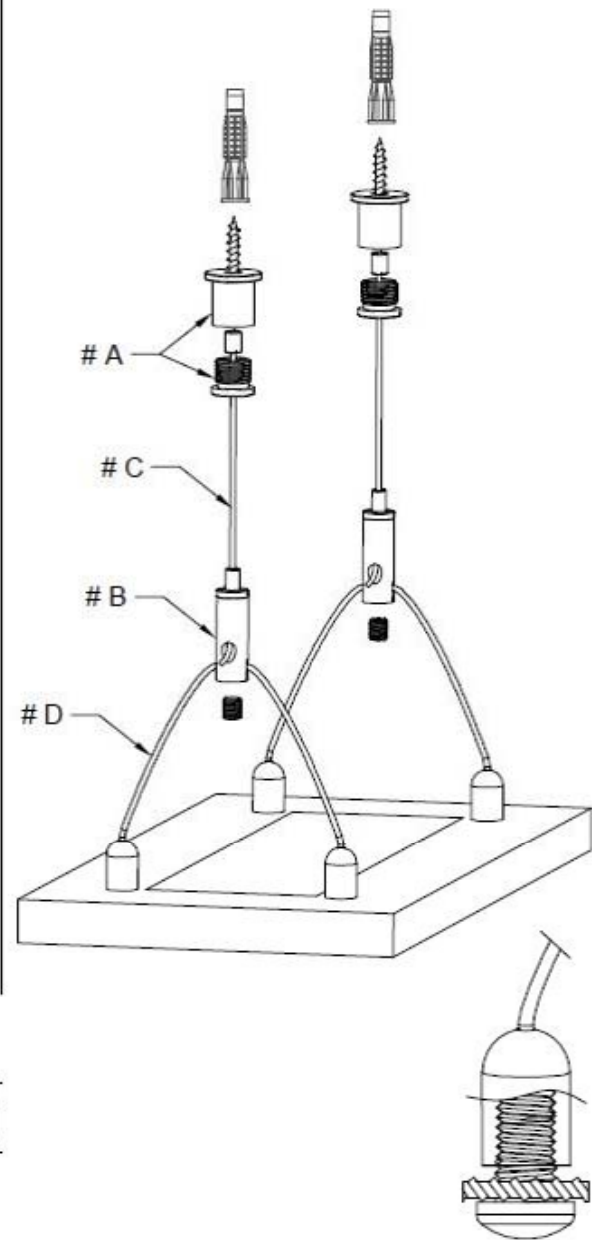
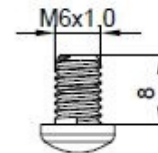
D
material: steel + brass
finish: galvanized + nickel



F
material: steel
finish: galvanized



G
material: steel
finish: galvanized



title:

item number:

Customer's Reference:

project reference: 07890603

created by:

auditor:

approved by:

material:

finish:

tolerance: ISO2768-M

scale: 1 : 1

dimension in mm

issue: A1

drawing code:

date: APR-22-2015



KOALA COMPONENTS, S.A.