



STEAB
Via Ugo Corsi, 16 - 50141 FIRENZE - ITALIA - Tel. 055-410800 r.a. - Fax: 055-410800 - www.steab.it

ALLEGATO TECNICO

Technical data sheet

Codice documento:
SC-ALLT Rev.0

Rif./des.

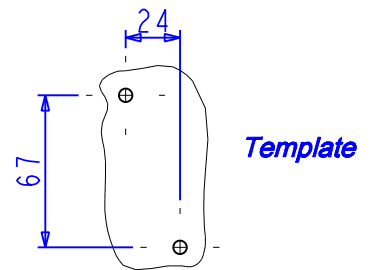
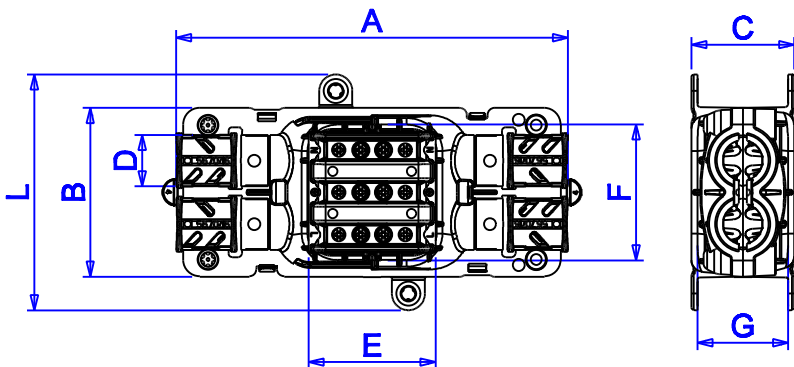
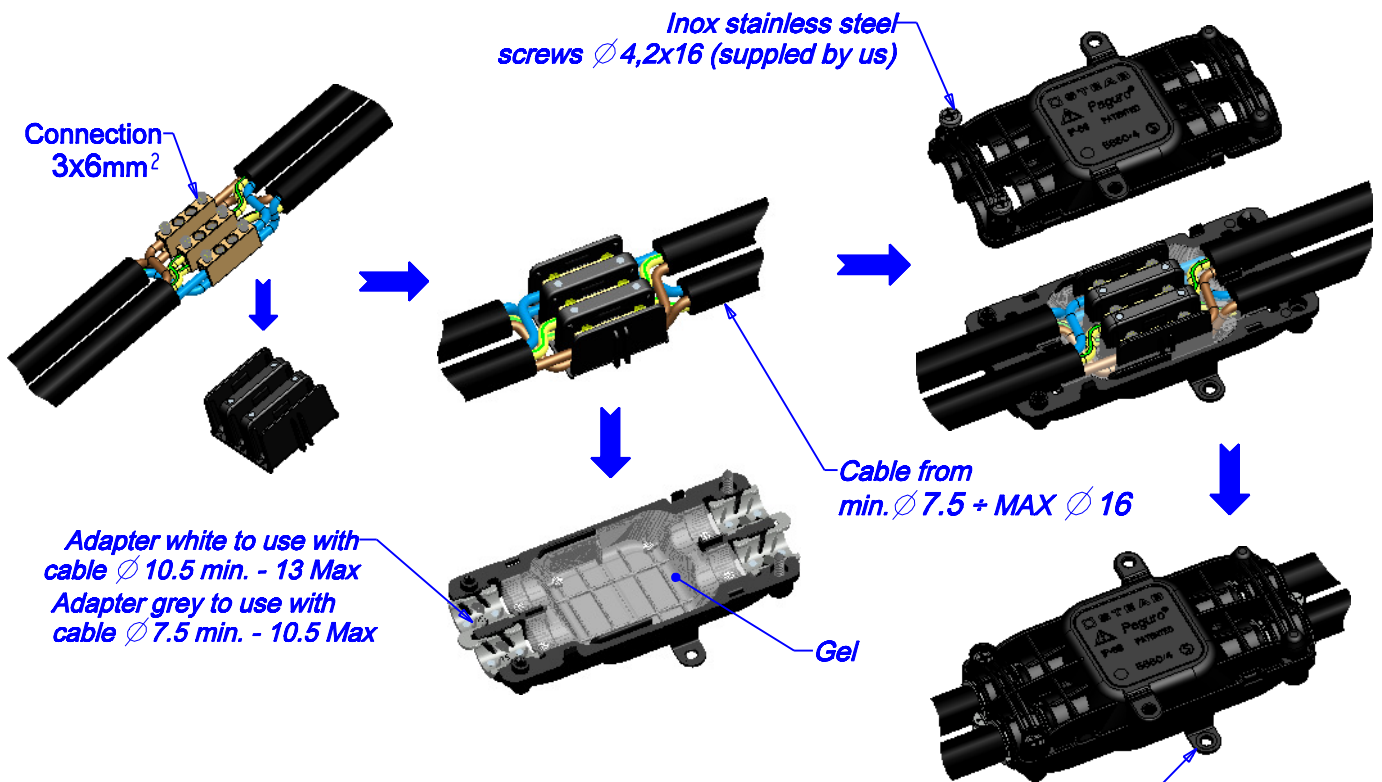
JUNCTION DEVICE Paguro® Code: 5660/4/2/221

A2

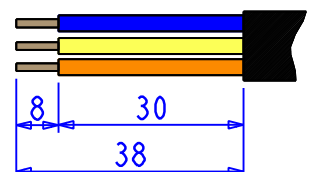
MATERIAL OF THE CONTAINER: Plastic Nylon PA66 with 25% glass' fiber additive, self estinguish V0, UV resistant;
INSULATION'S MATERIAL: Syliconic GEL "ISOGEL RR/ST" **COLOUR:** Black

Technical details: **DEGREE OF PROTECTION:** IP68 (at 1.3 mt. depth in the ground or water)
Ways: 4 **Poles:** 3 **Connection:** 3 x 6mm²
External diameter of admitted cables: 7.5 mm minimum – 16 mm maximum
The Junction Device is supplied with STRAIN RELIEF

Certification: in progress against EU Standards EN-60998 through Intertek SEMKO (Official Testing Institute in Sweden) valid all over Europe. In the meantime, we can release our Declaration of Conformity to the above Technical Details



Cable's dismantling specs



Code	Dimensions (mm)							
	A	B	C	D	E	F	G	L
5660/4/2	125	56	35	16	40	45	26	78