



SWITCH TO BRIGHTER FUTURE

Product data sheet: MINI Series

Features

- Super compact design
- Analogue flicker-free
- Primary and secondary sides come with leads
- Protections: opencircuit, shortcircuit, overload, overtemperature
- SELV equivalent
- Protection class II
- Driver for built-in use
- Suitable for protection class I and II luminaires
- IP65 design

Applications

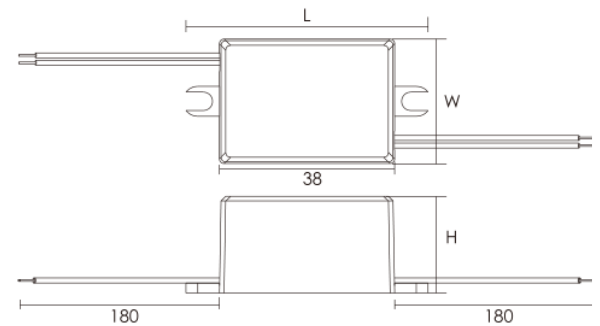
- Office
- Shop
- Hospitality
- Public areas

Approbations & Certifications

CE, CB, TUV

Housing properties

- Housing material: plastic, white.
- Type of protection IP65



Electrical Specifications

Type		Unit	MNI-4-12	MNI-4-24
INPUT	Nominal voltage	V	220 – 240	
	Nominal frequency	Hz	50 / 60	
	AC voltage range	V	198 – 264	
	DC voltage range	V	176 - 370	
	Nominal current	A	0.05	
	THD (Full load)	%	≤ 120	
	Power factor (Full load)		0.55C	
	Efficiency (Full load)	%	75	
	Turn on time	ms	≤ 500	
	NO load	W	≤ 0.5	
	Protection class		II	
	Inrush current(Cold start)	A pk	5 (th = 260 μs)	
	Max.units per circuit breaker		B10: 59 B16: 94 C10: 123 C16: 197	
	OUTPUT	Nominal voltage	V	12
Maximum voltage(Open Circuit)		Vdc	≤ 12.6	≤ 25.2
Output current range		A	0-0.33	0-0.17
Voltage accuracy		%	+/- 5	
Ripple & Noise		mV	500	
Pst LM			≤ 1	
SVM			≤ 0.4	
Nominal power range		W	0-4	
Maximum power		W	4	
Galvanic isolation			SELV	
ENVIRONMENT	Ambient temperature range ta	°C	-20 ...+50	
	Maximum case temperature tc	°C	80	
	Max. Case temp. In fault contdition	°C	110	
	Storage temperature range	°C	-20 ...+70	
	Relative humidity	%	5 ... 85 (Not condensing)	
	Surge transient protection	kV	0.5 1 (L/N LN/PE acc to. EN 61547 Clause 5.7)	
	Environmental rating		Indoor	
	IP rating		IP 65	
	Mains switching cycles		> 100,000	
	Expected lifetime	h	50,000 (0.2% / 1'000 h failure rate)	

*All parameters NOT specially mentioned are measured at 230VAC input ,rated current and 25°C of ambient temperature

Protections

Over temperature

Yes

Over load

Yes

No load

Yes

Short-circuit

Yes

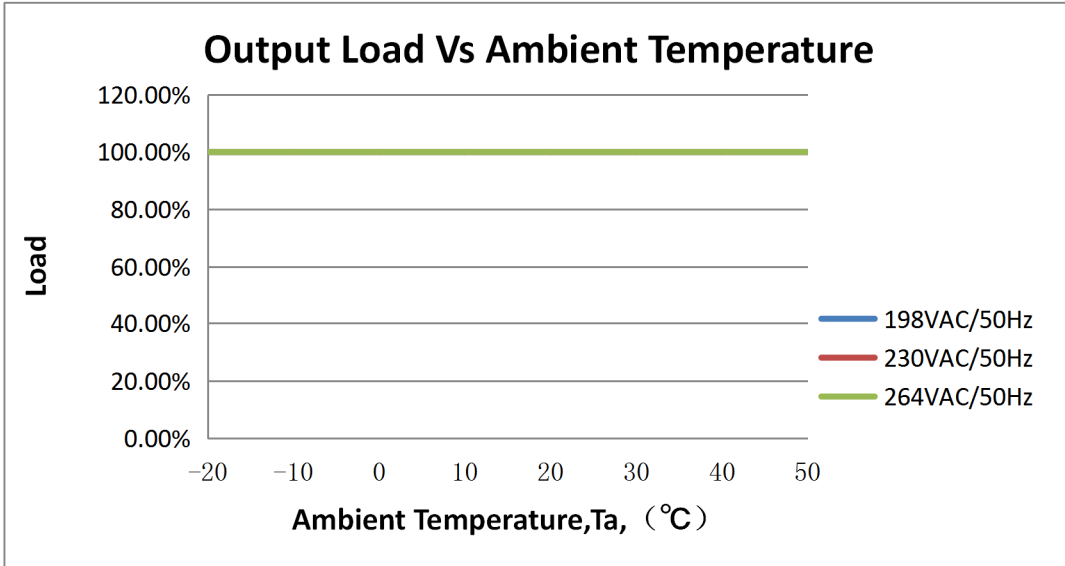
Input overvoltage

Maximum allowed input voltage 264V AC

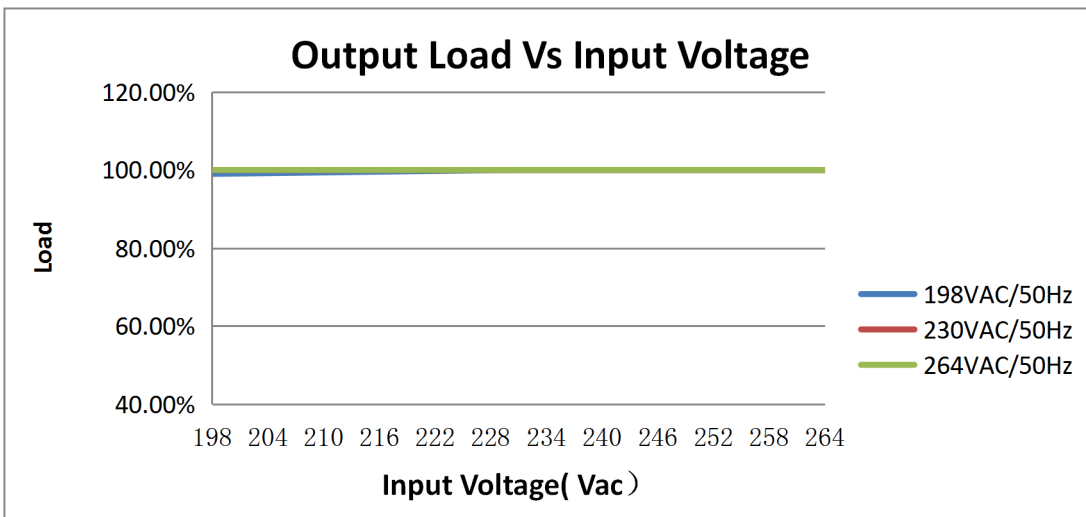
Output overcurrent

Yes

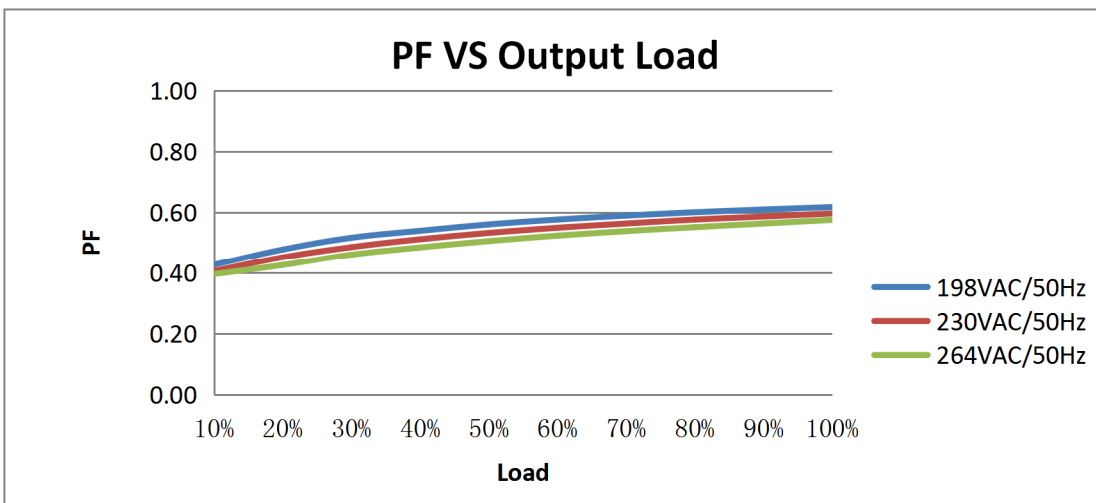
OUTPUT LOAD vs TEMPERATURE



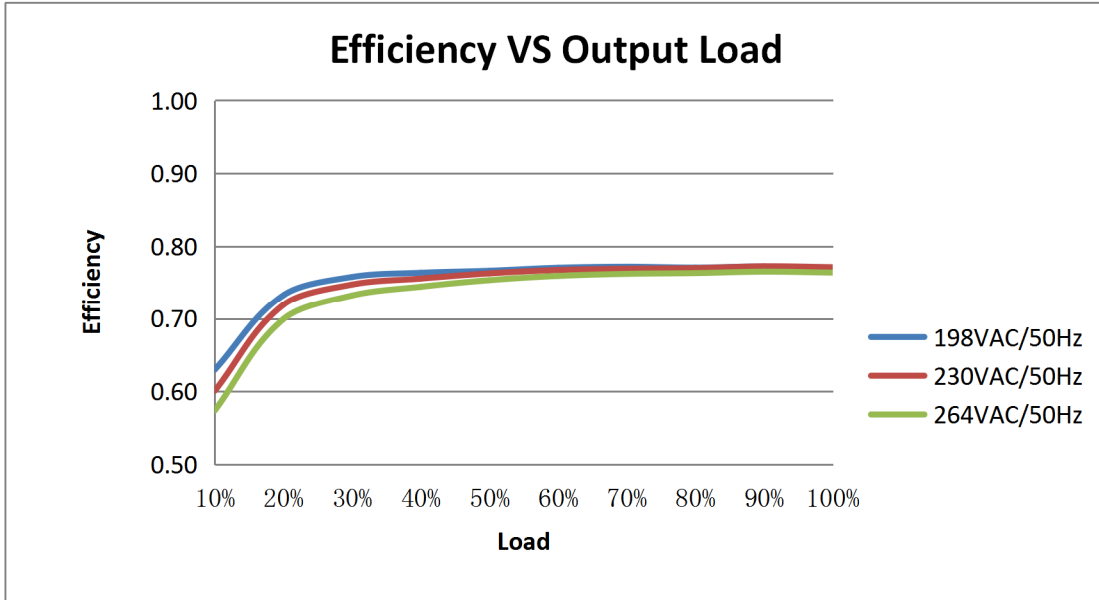
STATIC CHARACTERISTIC



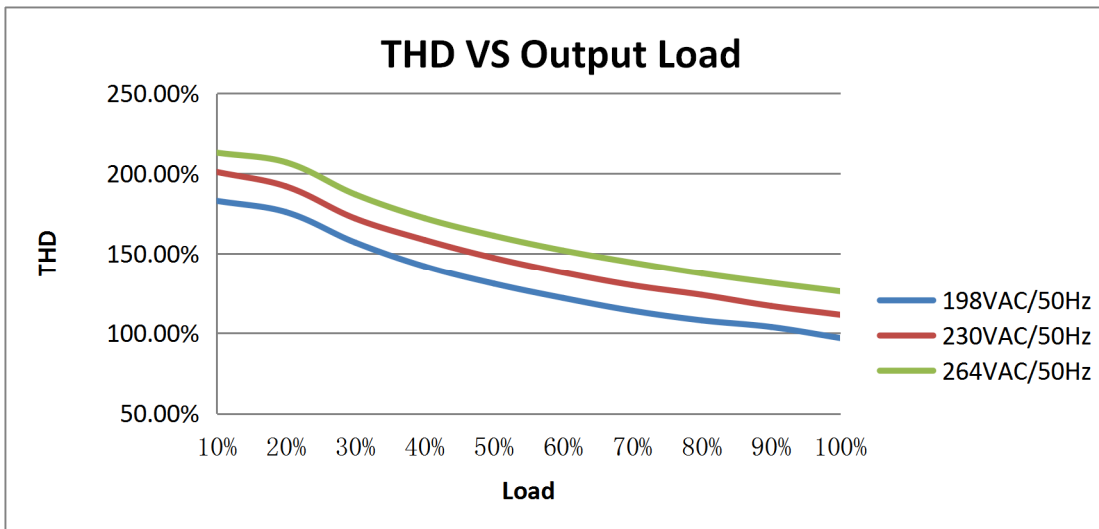
POWER FACTOR (PF) CHARACTERISTIC



EFFICIENCY vs LOAD



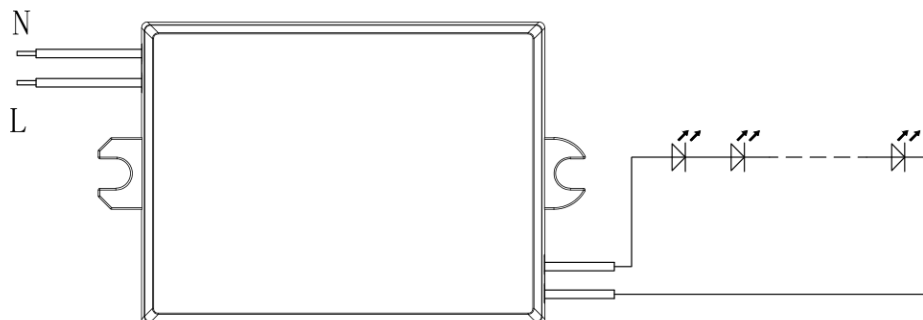
TOTAL HARMONIC DISTORTION (THD)



*The graph is for reference only, and the detailed values refer to the parameter table

Wiring Diagram

Terminal:	Push in terminals
Max. cable length - system:	2 m
Dimensions(LxWxH):	53 x 27 x 21 mm
Weight:	45 g



For build-in S: 0.5-1.5m², for independent S: 0.75-1.5m²

Hot plug-in or secondary switching of LEDs is not permitted and may cause a very high current to the LEDs.

Remarks

-**Touch current:** lower than 0.7 mA, according to EN 60598-1 annex. G and EN 61347-1 annex A

Standards

EN 61347-1
EN 61347-2-13
EN 62384
EN 55015
EN 61000-3-2
EN 61000-3-3
EN 61547
EN 60598-1
IEE1789
(EU) 2019/2020

Manufacturer's address:

No.4, Tongfu Road, Tong'an Industrial Center, Tong'an District, Xiamen, Fujian, China

www.actec.com