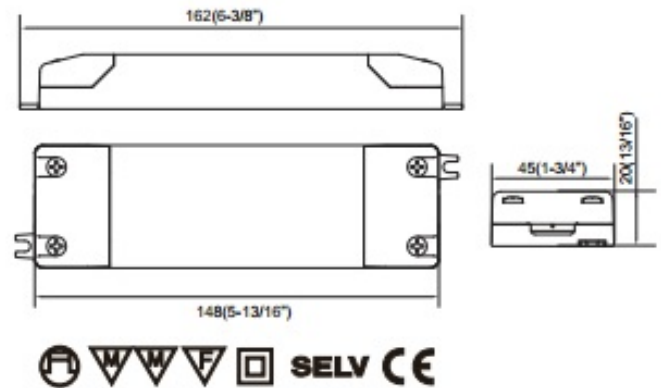


## CC Version Standard LED Power Supply(Economic)



Dimensions:(mm/inches)



### ■ Features

- Independent power supply for constant current LED lamp
- Terminal block for quick connection
- Class II protection against electric shock from direct and indirect contact
- Open circuit, short circuit, over load and over temperature protection
- Auto restart after fault conditions removal
- Efficiency  $\geq 85\%$  (AC230V, full load)

### ■ Standards

EN61347-1  
 EN61347-2-13  
 EN55015  
 EN61000-3-2  
 EN61000-3-3  
 EN61547

### ■ Characteristics

Rated input voltage: AC220-240V 50/60Hz (power factor measured at AC230V and full load)

Model No.	Constant output current	Output voltage range	$\lambda$	$t_a$	$t_c$	L x W x H	Approval
SLT20-350IL-E	350mA	17-57V	0.80C	-20-50°C (-4-122°F)	80°C (176°F)	148x45x20mm (5-13/16"x1-3/4"x13/16")	CE
SLT20-500IL-E	500mA	12-40V	0.80C	-20-50°C (-4-122°F)	80°C (176°F)	148x45x20mm (5-13/16"x1-3/4"x13/16")	CE
SLT20-700IL-E	700mA	9-30V	0.80C	-20-50°C (-4-122°F)	80°C (176°F)	148x45x20mm (5-13/16"x1-3/4"x13/16")	CE
SLT20-1050IL-E	1050mA	6-21V	0.80C	-20-50°C (-4-122°F)	80°C (176°F)	148x45x20mm (5-13/16"x1-3/4"x13/16")	CE