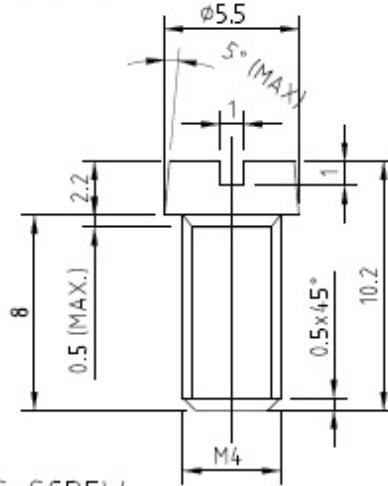
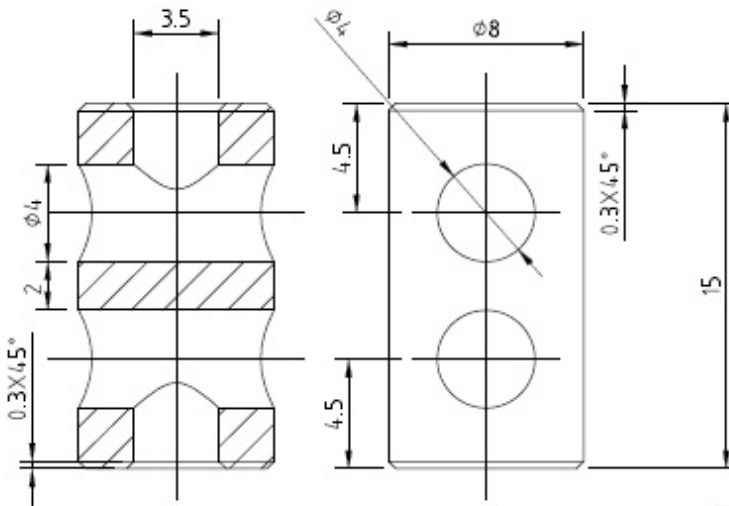


GENERAL NOTES	S.NO.	REV.	DATE	DESCRIPTION
1. ALL DIMENSIONS ARE IN MM 4.DRG. NOT TO BE SCALED				
2. REMOVE SHARP CORNERS 5.F IN DOUBT PLEASE ASK				
3. AVOID RUST,DUST&SCRATCH				



M.S. SCREW
QTY. 2 PCS. ITEM-1



FINISH AS PER ORDER

ITEM-2

S. NO.	ITEM CODE
1.	0788509-NEW
2.	0788510-NEW

PART NAME: CABLE GRIPPER		DRN.	DATE
MATERIAL: BRASS (FINISH AS ABOVE)		CHKD.	DATE
GENERAL TOLERANCE WHERE NOT SPECIFIED ±0.1		APPD.	DATE
KOALA COMPONENTS, S.A.		DRG. NO.	

NET WEIGHT (gm.) :

REVISION NO. 00



ITEM CODE:

AS ABOVE