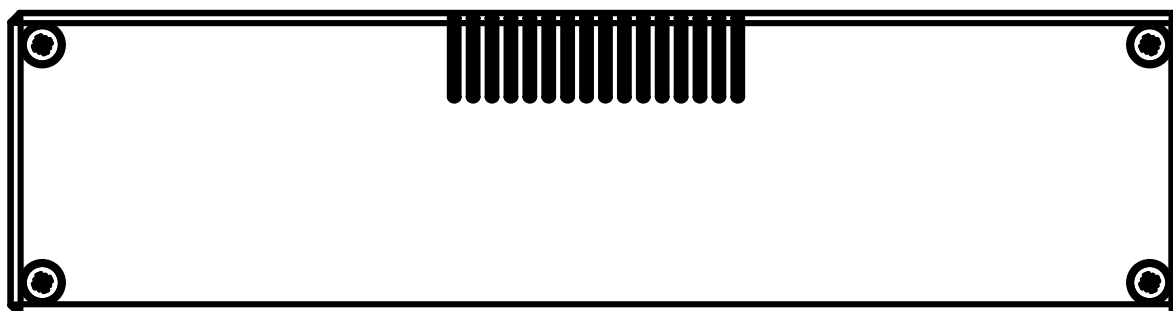


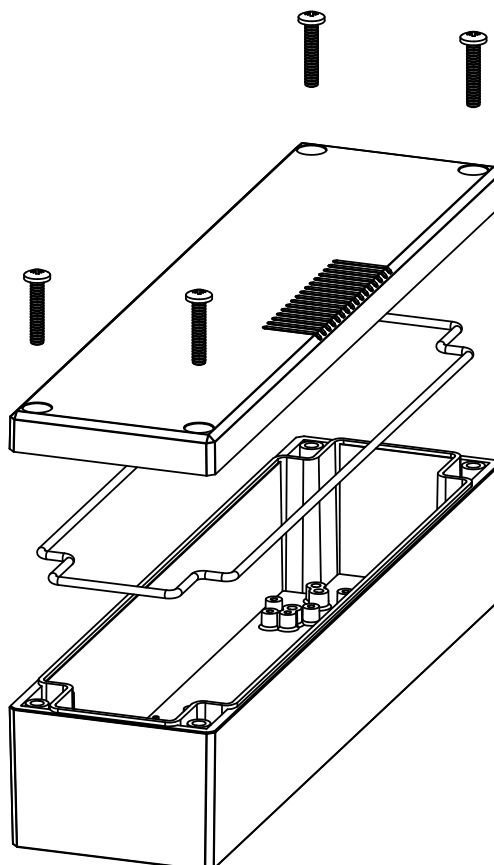
LB50/ONE LB100/ONE LB150/ONE



1 - TECHNICAL DATA

	LB50-ONE	LB100-ONE	LB150-ONE
Power Supply		230Vac	
Output	24V, max 50W in total	24V, max 100W in total	24V, max 150W in total
Material	ABS V0 self-extinguishing		
Degree of protection	IP54		
Dimensions	310 x 80 h 70mm		

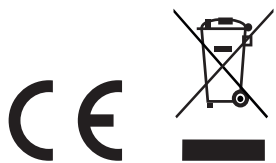
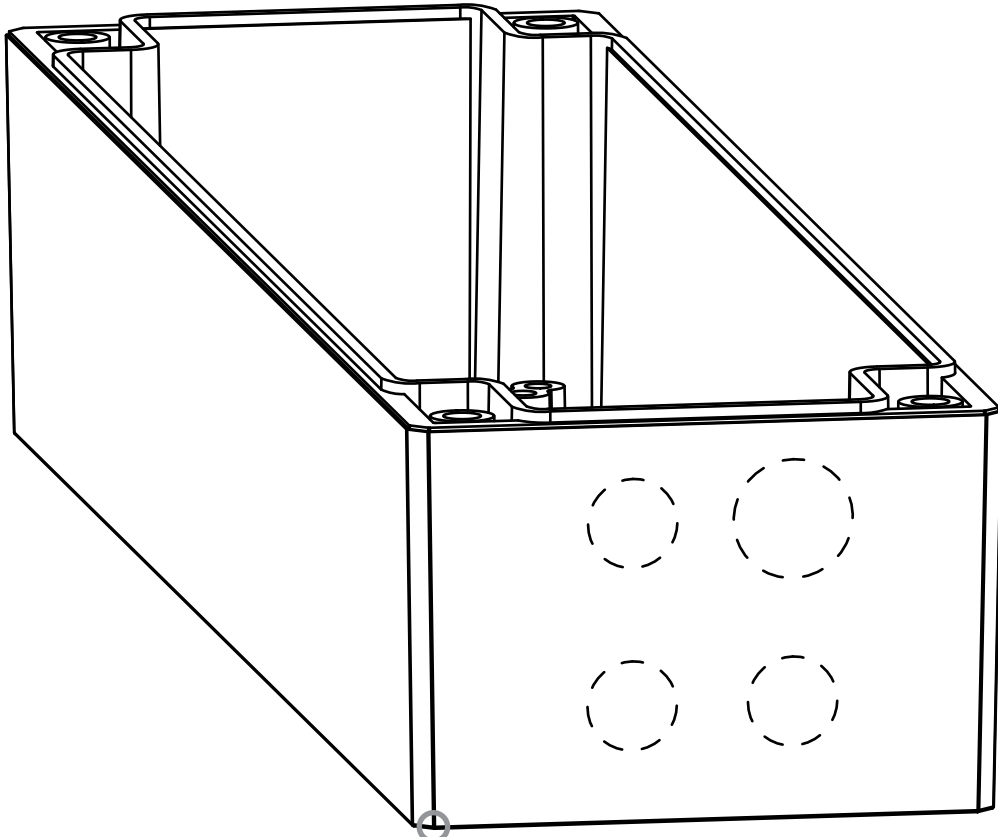
2 - ASSEMBLY



3 - CABLE PASSAGE

On the two "short sides" of the box are provided the locations for 3 cable clamps max PG7 (or M12) and 1 cable clamp max PG9 (or M16).

Below is a mask to locate exactly the center of the holes.



Nexta Tech
company brand of Team srl
via G.Oberdan 90, 33074
Fontanafredda (PN) - Italy
Ph. +39 0434 998682
Email: info@nexta-tech.com
Web: www.nexta-tech.com

V1.0

