

擎洲光电科技有限公司

Letaron Electronic Co., LTD

Address: Xiaotiantou Village Xinsi Area Hengli Town, Dongguan City, Guangdong Province, P.R. China

地址: 广东省东莞市横沥镇新四小田头村

Tel: +86 769 89110666 Fax: +86 769 87060909

E.Mail: Marvin@Dozen-energy.com Postcode: 523460 Website: www.letaron-group.com

ENGINEERING SPECIFICATION

工程規格書

客戶 / CUSTOMER	:	
產品名稱 / ITEM	:	Led Driver
顏色/Colour	:	White
客戶編號 / CUSTOMER P/N	:	
擎洲样品申请单号/Samples request No	:	
擎洲产品型號 / OUR MODEL NO.	:	AED08-700ILS
標準 / STANDARD	:	UL8750+UL60950/EN61347
額定 / RATING	:	Input: AC100~240V 50~60Hz Output: Constant voltage DC12V max:625mA Constant current DC700mA 6-12V
備注 / REMARKS	:	RoHS STANDARD

根據本公司政策規定,貴司必須於該產品首次生產之前簽回我司規格書的首頁、銘牌共二頁,以確認該產品之規格。

另外,請貴司於下單時在採購單上打上本公司產品編號以及样品单编号,以避免生產錯誤。

如貴司未能如期簽回規格書,我司將無法為該產品安排生產。

為免延誤貴公司之出貨時間,請貴司通力合作。

Based on the policy of our company ,all buyers MUST return this product specification sheets along with signature

And company chop. Please study very carefully and sign the page of Engineering Specification /Nameplate for product confirmation. And also, please mark our products Model No and Samples request No while the PO issue.

NOTICE: This is very important to have this specification sheets confirmed and return to us on time to avoid any mistake

Or delay of delivery. Without your confirmation,Letaron Electronic would not arrange to start the production for your company.

版本 REV.	描述/DESCRIPTION	日期 DATE	制作人 PREPARED BY
00	首次發行/FIRST ISSUE		

擎洲/LETARON

	制作 Prepared	检查 Checked	核准 Approved
签名 Signature	罗湘	曾波	郭敏华
日期 Date	2017.12.19	2017.12.19	2017.12.19

客戶/CUSTOMER

確認
Approved by

日期
Date

(簽字或公司蓋章)
(Signature and company stamp)

擎洲光电科技有限公司

Letaron Electronic Co., LTD

Address: Xiaotiantou Village Xinsi Area Hengli Town, Dongguan City, Guangdong Province, P.R. China

地址: 广东省东莞市横沥镇新四小田头村

Tel: +86 769 89110666 Fax: +86 769 87060909

E-Mail: Marvin@Dozen-energy.com Postcode: 523460 Website: www.letaron-group.com

1. Safety & EMC standard(安规及电磁兼容测试标准):

[EN61347-1](#) [EN61347-2-13](#); [EN55015](#), [EN61000-3-2/3](#), [EN61547](#).

2. Electrical Performance (电气性能):

The Supply shall operate over the voltage ranges as follows

驱动器应在以下电压范围内使用:

AC Rated input voltage\额定输入电压	100-240VAC	
Max.Input Power\输入最大功率	$\leq 12W$	
Power Factor\功率因数	0.5	
Efficiency\转换效率	$\geq 78\%$ @115VAC/230VAC 50/60Hz.	
AC Input Voltage Range\电压偏差范围	90-264VAC	
Rated input frequency\输入电流频率	50/60Hz ± 3 Hz	
Standby Power\空载功率	$\leq 0.5W$	
Primary current protection\限流保护	An adequate internal fuse on the AC input line is provide.交流输入端内置限流保护电阻	
OUTPUT REQUIREMENTS:输出参数		
Work Mode\工作模式	CC	CV
Max.Output Voltage\空载最大电压	17V	17V
Output Voltage\额定工作电压	6-11V	12V $\pm 5\%$
Output Current\额定工作电流	700mA $\pm 5\%$	0-625mA
output power\额定功率	7.7W	7.5W
Short-circuit protection\短路保护	The driver shall not damage and with auto recovery function by short the DC output to Ground驱动器在输出短路的情况下不会被损坏, 并且具有自动恢复启动功能.	
Over-voltage protection\过压保护	The output voltage shall be clamped by internal protection IC 当输出电压超过时驱动器将依靠内部线路设计而进入保护状态	

擎洲光电科技有限公司

Letaron Electronic Co., LTD

Address: Xiaotiantou Village Xinsi Area Hengli Town, Dongguan City, Guangdong Province, P.R. China

地址: 广东省东莞市横沥镇新四小田头村

Tel: +86 769 89110666 Fax: +86 769 87060909

E-Mail: Marvin@Dozen-energy.com Postcode: 523460 Website: www.letaron-group.com

3. HI-POT Test (耐压测试):

Between live parts and the enclosure: 带电体和外壳之间

– for basic insulation 基本绝缘

– for reinforced insulation 加强绝缘

Between input circuits and output circuits 输入电路与输出电路之间

Between metal parts of class II control gear which are separated from live parts by basic insulation only and the enclosure 在带电体和外壳之间仅由基本绝缘分隔的 II 类控制器的金属部件之间

Between metal foil in contact with the inner and outer surface of enclosures of insulating material 在和内部连接的金属铜箔与绝缘外壳材料的表面之间

Shall Withstand Without Breakdown (不击穿):

3-1. AC 3000 V 60 sec between input (AC short) to output (DC short) (Cut-off current: 10mA);
(在输入与输出之间施加 3000 VAC 60 秒钟(报警电流为 10mA 最大))

3-2. AC 3000 V 60 sec between input (AC short) to crust (Cut-off current: 10mA);
(在输入与外壳之间施加 3000 VAC 60 秒钟(报警电流为 10mA 最大))

3-3. AC 1000 V 60sec between output (DC short) to crust (Cut-off current: 10mA);
(在输出与外壳之间施加 1000 VAC 60 秒钟(报警电流为 10mA 最大))

3-4. Leakage Current (泄漏电流):

The leakage current shall be less than 3mA for Class II when product is operated maximum input voltage and maximum load.

(当产品工作在最大输入及最大负载情况下, 其漏电流应小于 3 mA, 满足 Class II 等级.)

4. Isolation Resistance (绝缘电阻):

4-1. Input to output (输入对输出) $\geq 5M\Omega$, DC 500V (直流 500V);

4-2. Input to crust (输入对外壳) $\geq 5M\Omega$, DC 500V (直流 500V);

5. Environment (环境):

working temperature of $0^{\circ}C \sim 45^{\circ}C$, 10%~90%RH (without dew point);
(工作温度 $0^{\circ}C \sim 45^{\circ}C$, 湿度 10%~90%RH (无凝露));

Storage temperature: $-20^{\circ}C \sim 85^{\circ}C$, 10%~90%RH (without dew point);
(存储温度 $-20^{\circ}C \sim 85^{\circ}C$, 湿度 10%~90%RH (无凝露));

6. Structure (结构):

Cooling in natural way. (冷却形式为自然冷却).

7. Aging Test (老化试验):

The product operate continuously for four hours at a rated load.

(产品在额定负载下, 连续工作 4 小时.)

擎洲光电科技有限公司

Letaron Electronic Co., LTD

Address: Xiaotiantou Village Xinsi Area Hengli Town, Dongguan City, Guangdong Province, P.R. China

地址: 广东省东莞市横沥镇新四小田头村

Tel: +86 769 89110666 Fax: +86 769 87060909

E.Mail: Marvin@Dozen-energy.com Postcode: 523460 Website: www.letaron-group.com

8. Humidity Test(潮湿试验):

After exposed to 45±2°C, 90-95% RH for 48 hours, and then put it into normal ambient condition treated for 30 minutes.

The test result must be satisfied with item 3. & item 4.

(在温度为 45±2°C, 相对湿度为 90-95% RH 的环境中放置 48 小时后, 再在常温常湿中放置 30 分钟后, 产品仍须满足上述第 3 项和第 4 项的要求。)

9. Temperature Test(温度测试):(Ta=45°C MAX)

A component part temperature shall not exceed the manufacturer's maximum of the thermal rating and the maximum temperature rise not exceed 80°C.

(零部件温度不允许超过其制造商要求的最大温度值, 且最大温升不超过 80°C。)

10. Instruction(用法说明):

10-1. Turn off the power connection before installation.(安装前要切断电源).

10-2. Indoor use only. (仅供室内使用).

10-3. Load of the secondary shall not exceed the rated power.(负载不可超过额定功率).

10-4. Installation shall be done by qualified technician.(要有一定专业知识的人才能安装).

10-5. Make sure all the cables connected correctly before turn on the power.

(接通电源前要确定所有的电线连接正确).

10-6. Maximum ambient temperature 45°C, 最大工作环境温度 45°C

11. Certificate(认证): CUL/UL/TUV/SAA

12. Certificate(认证): 50000H

擎洲光电科技有限公司

Letaron Electronic Co., LTD

Address: Xiaotiantou Village Xinsi Area Hengli Town, Dongguan City, Guangdong Province, P.R. China

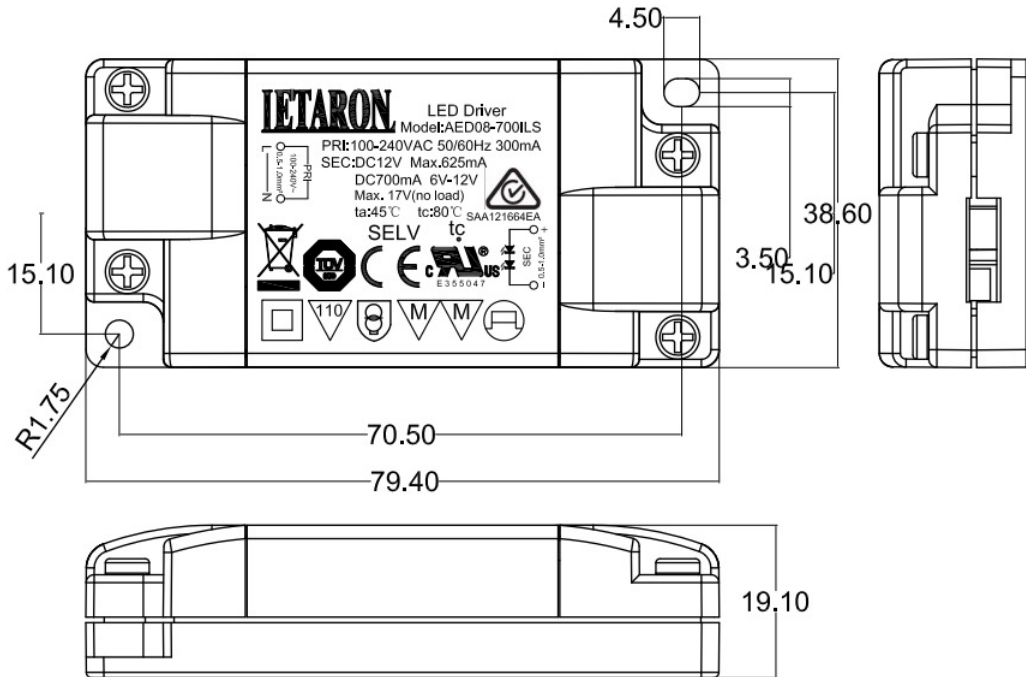
地址: 广东省东莞市横沥镇新四小田头村

Tel: +86 769 89110666 Fax: +86 769 87060909

E-Mail: Marvin@Dozen-energy.com Postcode: 523460 Website: www.letaron-group.com

13. Externality figure and name plate (外形图及商标):

13-1 外形及包装图



13-2 商标

