

LED Driver 12V/24V **30/40W**



Product Features:

- Constant voltage design
- Protections: Over load and over voltage
- Full protective plastic case
- Class II protection
- Suitable for indoor LED lightings
- 100% full loading aging test
- 3 Years warranty

Electrical Performance

Model Number		AED30-12VIP44-3B	AED30-24VIP44-3B	AED40-12VIP44-3B	AED40-24VIP44-3B
Output	Output Voltage/输出电压	12V	24V	12V	24V
	Voltage Accuracy/电压精度	±5%	±5%	±5%	±5%
	Output Current/输出电流	2.5A	1.25A	3.33A	1.67A
	Output rated power/额定功率	30W	30W	40W	40W
	Max.no Load Voltage/最大空载电压	14V	27V	14V	27V
	Load Regulation/负载调整率	±3%			
Input	Voltage range/电压范围	198-264Vac			
	Frequency range/频率范围	47-63Hz			
	Power Factor/功率因数	≥0.9			
	Efficiency/效率 (Typ.)	88%			
	Input current/输入电流	165mA(Max)		220mA(Max)	
	Surge current/浪涌电流 (Max)	10A@230Vac full loading and cold status			
	Leakage Current/漏电流	0.5mA			
	Line Regulation/线性调整率	±2%			
	Start up time/启动、上升时间 备注5	0.5s			
Heating film rated current/加热膜额定电流	No defogger control function				
Protections	Overload/过负载	Will be more than 1.1-1.4 times of the rated output power, the output voltage of the product will decrease, and the abnormality will be removed and the product will return to normal			
	Short circuit protection/短路保护	In case of short circuit, the product is free of damage and can be disconnected. After the short circuit is removed, it can be recovered automatically.			
Environment	Operating temperature/humidity /工作温度、湿度	-20°C~40°C/ 20%~90% RH			
	Storage Temperature/humidity /储存温度、湿度	-20°C~80°C/ 10%~95% RH			
	Vibration/耐振动	10~500Hz,2G 10 minutes/cycle, 60 minutes for X, Y and Z axis each			
	Noise/噪声 (最大) 备注2	24DB			
Safety & EMC Standard	Safety specification/安全规范 备注6	EN61347-1,EN61347-2-13 GB19510.1-2009,GB19510.14-2009			
	Withstand Voltage/耐压	I/P-O/P :3750Vac			
	Insulation Resistance/绝缘阻抗	I/P-O/P, 100Mohms/500Vdc/25°C/70%RH			
	Electromagnetic compatible emission/电磁兼容发射	EN55015: 2019 EN61000-3-2/3 GB17625.1 GB17625.2			
	Electromagnetic compatibility immunity/电磁兼容抗扰度	EN 61547 EN61000-4-2,3,4,5,6,11 GB/T17626.2,3,4,5,6,11			
	Lifetime/寿命	30000H			
	Size/尺寸	145mm*55mm*16.5mm			
Packaging/包装	375×320×225mm-A=A- Standard Carton				
Remarks	<p>1. Unless otherwise specified, all specifications and parameters shall be measured under 230VAC, rated load and 25 °C ambient temperature.</p> <p>2. Noise measurement method: test within the sound box at a distance of 300mm from the product.</p> <p>3. Derating output is required under low input voltage. Please refer to the static characteristic curve for details.</p> <p>4. The power supply is regarded as a component used together with the terminal equipment. Because EMC is affected by the whole set of devices, the terminal equipment manufacturer needs to re confirm EMC for the whole set of devices.</p> <p>5. The starting time is measured under the cold start state, and continuous startup and shutdown may make the starting time longer.</p> <p>6. The model certified by CCC, CE and TUV (EN61347-1 EN61347-2-13) is optional. Please contact Letaron for details.</p>				

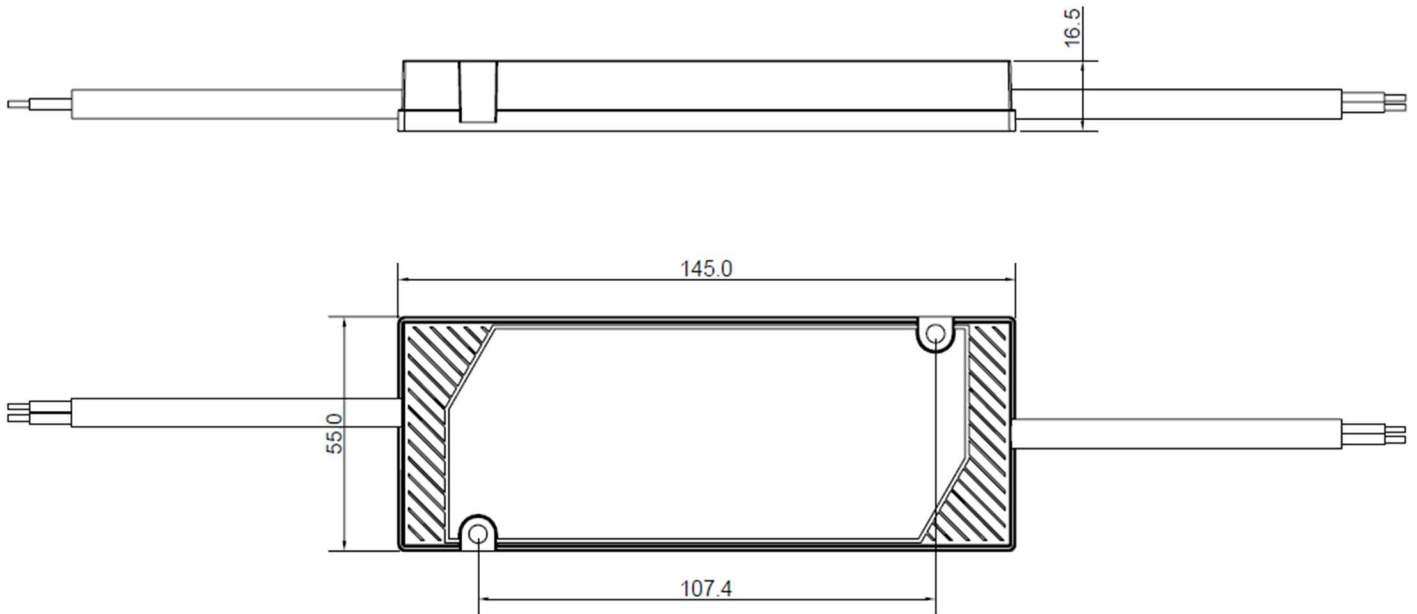
核准:

审核:

制作:

■ Mechanical drawings

Unit: mm

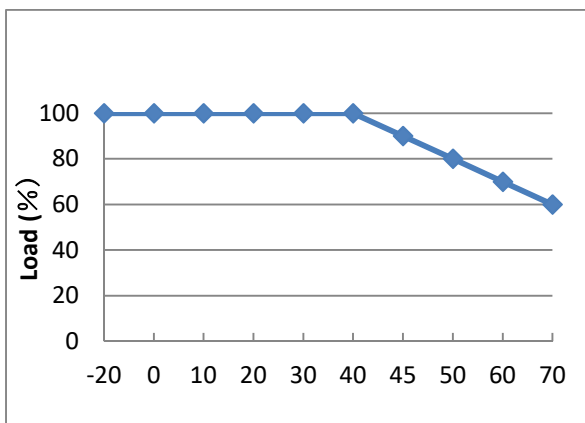


※Wiring diagram.

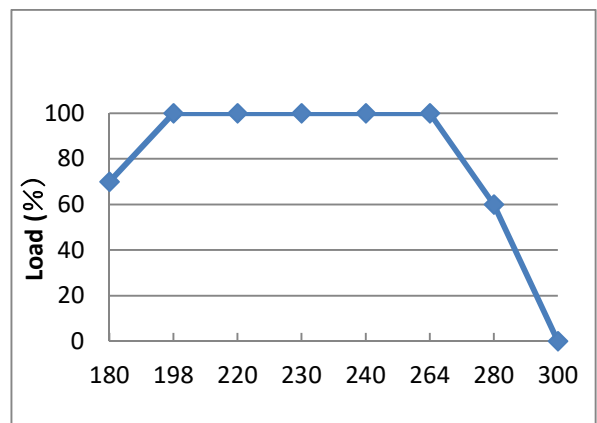


■ Deduction curve.

■ Load and output voltage characteristic curve



Ambient Temperature (°C)



Input Voltage (Vac)