

Touch Switch for Mirror Lighting

Touch Switch for Mirror Lighting



Features

- Constant Voltage, light up when turned on;
- Three modes in one switch, choose at will:
 Mode 1: single touch key 1 to ON/OFF, long press key 1 to dim phaselessly between 10-100%, long press key 2 to change CCT;
 Mode 2: single touch key 1 to switch defogging ON/OFF, single touch key 2 to ON/OFF, long press key 2 to dim phaselessly between 10-100%;
 Mode 3: single touch key 1 to switch defogging ON/OFF, single touch key 2 to ON/OFF, long press key 2 to change CCT phaselessly.
- LED indicator: turns white when the switch is OFF, turns blue when the switch is ON, blue light off when touching, blue light on after touch;
- All in one plastic defending shell;
- Apply to indoor LED lighting;
- 100% full-loaded Aging Test;
- 5 years warranty.

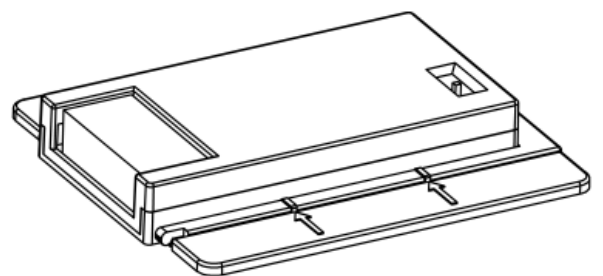
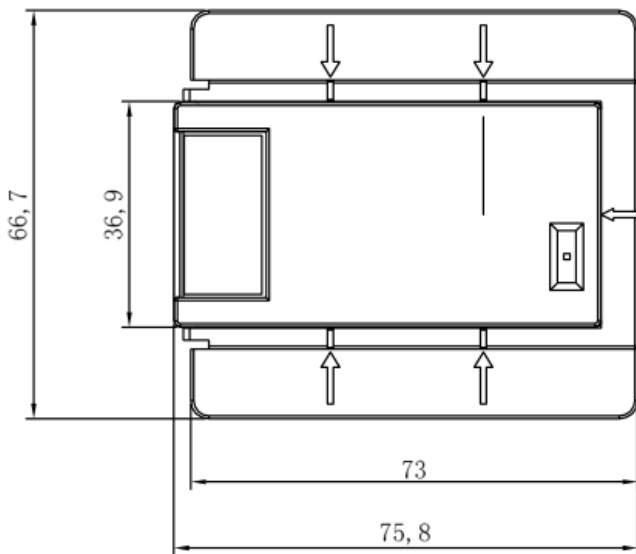
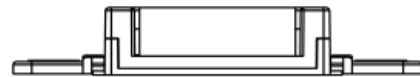
Parameters

Model		AEK-TS-02
Input	Voltage Range	12-24VDC
	Efficiency	95%
	Input Current	5A(MAX)
Output	Output Voltage Range	12-24VDC
	Output Current	5A(MAX)
	Output Rated Power	60-120W
Ambience	Operating Temperature	25-35°C
	Operating Humidity	20%-90% RH
	Storage Temperature	-20-80°C
	Storage Humidity	10%-95% RH
	Vibration	10-500Hz, 2G 10mins per period, 60min on each X, Y, Z axis
	Noise(MAX)	24Db

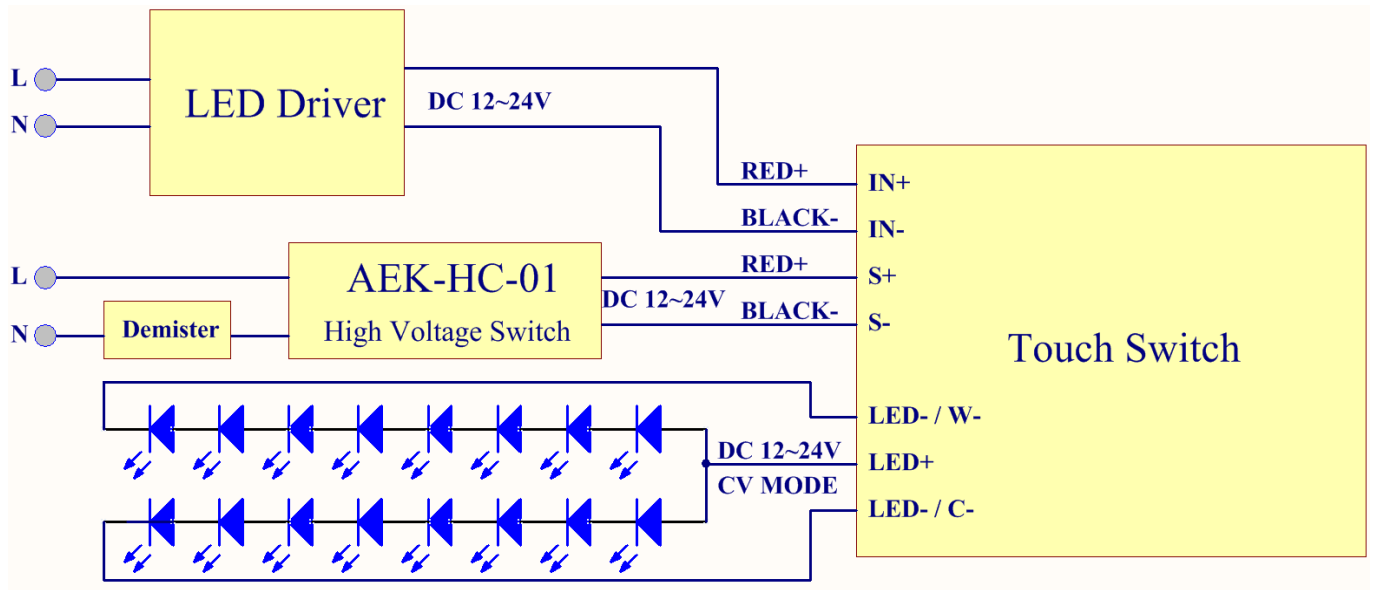
Safety Specification & Electromagnetic Compatibility	Safety Specification	EN61347-1
	Electromagnetic Compatible Emission	EN55015:2013; EN61000-3-2/GB17625.1; EN61000-3-3
	Electromagnetic Compatibility Immunity	EN61547; EN61000-4-2
Others	Lifetime	50000H
	Size	76*67*11mm
	Packaging	Each in PE bag, 225PCS in one 35.5*24*18.5cm carton
Remarks	<p>1. If not stated, all parameters are test under 24VDC, rated load and 25°C Ta;</p> <p>2.Noise Test: Test from 300mm from the product in a sound-proof box;</p> <p>3. Drivers and switches area use with the end product. Because EMC test will be influenced by the whole end product set, end product manufacturer will need to do EMC test again to confirm;</p> <p>4. Can be adapt to end product passed CE(EN61347-1). Pls contact Letaron for more details.</p>	

***Mechanical Drawings**

Unit of Length:mm



***Wring Diagram**



***Block Diagram**

