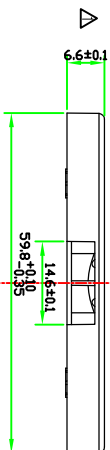
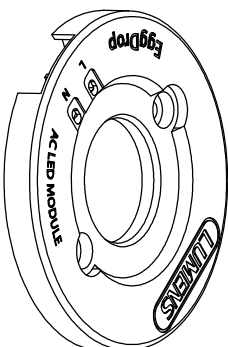
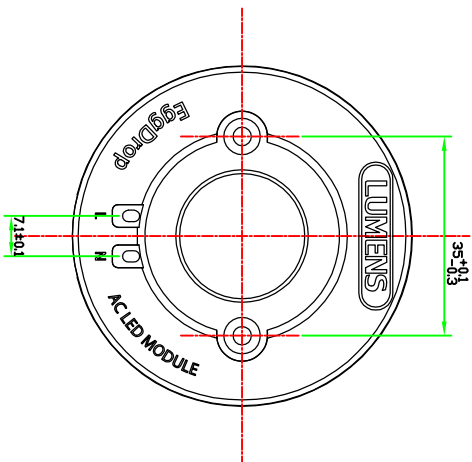
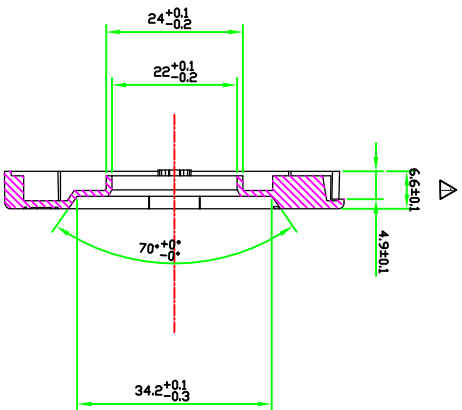


General Tolerance : ± 0.2

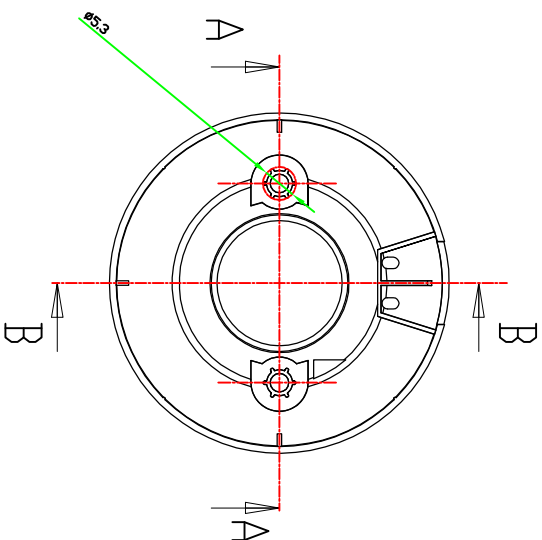
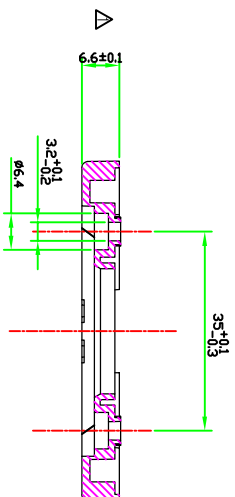
TOLERANCE	1-4	4-16	16-63	63-250	250-1000
A	0.05	0.07	0.1	0.2	0.3
B	0.1	0.2	0.3	0.5	0.8
C	0.25	0.35	0.5	0.7	1.5



B-B Section



A-A Section



NO	LAMP COVER	PBT+G115%	SIZE	FINISH	Q'TY	NOTE
PART NAME	MATERIAL				1	
15. 06. 22.	두께 변경(6.4mm->6.6mm)					
REV NO	REV DATE	DESCRIPTIONS OF REVISION	SIGN	TITLE	LED LAMP COVER	
DRAWN	DESIGNED	CHECKED	APPROVED	DATE	2015.7.30	
					주식회사 파파스	
					MODEL	LUMENS
					DWGNO	