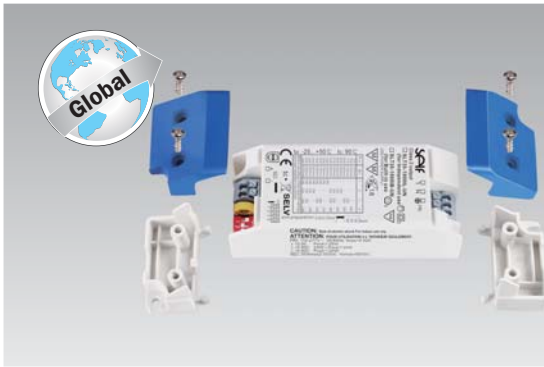


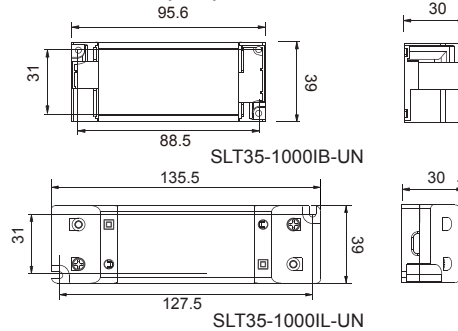
CC DIP Switch Series

SLT35-1000IL-UN(for independent use)
 SLT35-1000IB-UN(for build-in use)

Best seller



Dimensions: (mm)



- Multipower driver supplied with dip-switch for the selection of the output current.
- Class II protection against electric shock for direct or indirect contact
- Driver for built-in or independent use.
- It can be used for lighting equipment in protection class I and II
- Active Power Factor Corrector.
- Free flicker design
- SELV output(<60V)
- Current regulation $\pm 5\%$ including temperature variations.
- Fast start-up time $\leq 0.5S$
- Open circuit, short circuit, over load and over temperature protection
- Auto restart after fault conditions removal
- Efficiency: 88.9%(AC230V, full load)
- Guarantee: 5 Years

SLT35-1000IL-UN
 SLT35-1000IB-UN*

DIP switch

Pout	SEC	1	2	3	4
12W	250mA	-	-	-	-
15W	300mA	-	-	-	-
17W	350mA	-	-	ON	-
20W	400mA	-	-	ON	ON
22W	450mA	-	ON	-	-
25W	500mA	-	ON	-	ON
27W	550mA	-	ON	ON	-
30W	600mA	-	ON	ON	ON
32W	650mA	ON	-	-	-
35W	700mA	ON	-	-	ON
35W	750mA	ON	-	ON	-
35W	800mA	ON	-	ON	ON
35W	850mA	ON	ON	-	-
35W	900mA	ON	ON	-	ON
35W	950mA	ON	ON	ON	-
35W	1000mA	ON	ON	ON	ON

Specifications

Model	Rated input	PF	Output	Output Power range	Output voltage range	Tolerance	Efficiency	ta	tc	Size	Approval
	AC110-277V	0.80C	250mA	0.5-12W	2-50V	+/-5%	84.7%	50 C	90 C	95.6x39x30mm 135.5x39x30mm	pending
	AC110-277V	0.80C	300mA	0.6-15W	2-50V	+/-5%	86.2%	50 C	90 C	95.6x39x30mm 135.5x39x30mm	pending
	AC110-277V	0.90C	350mA	0.7-17W	2-50V	+/-5%	87.0%	50 C	90 C	95.6x39x30mm 135.5x39x30mm	pending
	AC110-277V	0.90C	400mA	0.8-20W	2-50V	+/-5%	87.4%	50 C	90 C	95.6x39x30mm 135.5x39x30mm	pending
	AC110-277V	0.95	450mA	0.9-22W	2-50V	+/-5%	87.9%	50 C	90 C	95.6x39x30mm 135.5x39x30mm	pending
	AC110-277V	0.95	500mA	1-25W	2-50V	+/-5%	88.2%	50 C	90 C	95.6x39x30mm 135.5x39x30mm	pending
	AC110-277V	0.95	550mA	1.1-27W	2-50V	+/-5%	88.3%	50 C	90 C	95.6x39x30mm 135.5x39x30mm	pending
SLT35-1000IB-UN	AC110-277V	0.95	600mA	1.2-30W	2-50V	+/-5%	88.8%	50 C	90 C	95.6x39x30mm 135.5x39x30mm	pending
SLT35-1000IL-UN*	AC110-277V	0.95	650mA	1.3-32W	2-50V	+/-5%	88.9%	50 C	90 C	95.6x39x30mm 135.5x39x30mm	pending
	AC110-277V	0.95	700mA	1.4-35W	2-50V	+/-5%	88.8%	50 C	90 C	95.6x39x30mm 135.5x39x30mm	pending
	AC110-277V	0.95	750mA	1.5-35W	2-47V	+/-5%	88.6%	50 C	90 C	95.6x39x30mm 135.5x39x30mm	pending
	AC110-277V	0.95	800mA	1.6-35W	2-43V	+/-5%	88.3%	50 C	90 C	95.6x39x30mm 135.5x39x30mm	pending
	AC110-277V	0.95	850mA	1.7-35W	2-41V	+/-5%	88.1%	50 C	90 C	95.6x39x30mm 135.5x39x30mm	pending
	AC110-277V	0.95	900mA	1.8-35W	2-39V	+/-5%	87.9%	50 C	90 C	95.6x39x30mm 135.5x39x30mm	pending
	AC110-277V	0.95	950mA	1.9-35W	2-37V	+/-5%	87.6%	50 C	90 C	95.6x39x30mm 135.5x39x30mm	pending
	AC110-277V	0.95	1000mA	2-35W	2-35V	+/-5%	86.6%	50 C	90 C	95.6x39x30mm 135.5x39x30mm	pending

*For product datasheet go to www.self-ecg.com or available on request.