



# LETARON® 广东擎洲光电科技股份有限公司

## Letaron Electronic Co., LTD

Address: No.253, Junma Road, Hengli Town, Dongguan City, Guangdong Province, China

地址: 广东省东莞市横沥镇骏马路 253 号

Tel: +86 769 89110666 Fax: +86 769 87060909

E-Mail: [Sales@letaron-group.com](mailto:Sales@letaron-group.com) Postcode: 523460 Website: [www.letaron-group.com](http://www.letaron-group.com)

### 1. Safety & EMC standard(安规及电磁兼容测试标准):

[EN61347-1](#) [EN61347-2-13](#); [EN55015](#), [EN61000-3-2/3](#), [EN61547](#)

### 2. Electrical Performance (电气性能):

The LED Driver shall operate in the voltage ranges as follows

LED 驱动器应在以下电压范围内使用:

AC Rated input voltage\额定输入电压	220-240VAC
AC Rated input voltage Range \额定输入电压范围	198-264VAC
Rated input frequency\输入频率	50/60Hz
Rated input frequency Range \输入频率范围	47-63Hz
Max.Input Power\输入最大功率	≤28W
Efficiency\转换效率	≥84%
Standby Power\待机功率	≤0.5W
Primary current protection\限流保护	An adequate internal fuse on the AC input line is provide.交流输入端内置限流保险丝
OUTPUT Rating:输出参数	
Work Mode\工作模式	CV (恒压)
Output Voltage\额定工作电压	12V ± 5%
Output Current\额定工作电流	1.8A
output power\额定功率	21.6W
Over-voltage protection\过压保护	The output voltage shall be clamped by internal protection IC 当输出电压超过时开关电源将依靠内部线路设计而进入保护状态
Over-Load protection\过载保护	The output load shall be clamped by internal protection IC 当输出负载超过时开关电源将依靠内部线路设计而进入保护状态

# LETARON® 广东擎洲光电科技股份有限公司

## Letaron Electronic Co., LTD

Address: No. 253, Junma Road, Hengli Town, Dongguan City, Guangdong Province, China

地址: 广东省东莞市横沥镇骏马路 253 号

Tel: +86 769 89110666 Fax: +86 769 87060909

E-Mail: [Sales@letaron-group.com](mailto:Sales@letaron-group.com) Postcode: 523460 Website: [www.letaron-group.com](http://www.letaron-group.com)

Short-circuit protection\短路保护	The Switch Power Supply shall not damage and with auto recovery function by short the DC output to Ground开关电源在输出短路的情况下不会损坏, 并且具有自动恢复启动功能.
<p><b>3. HI-POT Test (耐压测试):</b></p> <p>Between live parts and the enclosure:带电体和外壳之间</p> <ul style="list-style-type: none"><li>- for basic insulation基本绝缘</li><li>- for reinforced insulation加强绝缘</li></ul> <p>Between input circuits and output circuits输入电路与输出电路之间</p> <p>Between metal parts of class II controlgear which are separated from live parts by basic insulation only and the enclosure在带电体和外壳之间仅由基本绝缘分隔的 II 类控制器的金属部件之间</p> <p>Between metal foil in contact with the inner and outer surface of enclosures of insulating material在和内部连接的金属铜箔与绝缘外壳材料的表面之间</p> <p>Shall Withstand Without Breakdown(不击穿):</p> <p>3-1. AC 3750 V 60 sec between input (AC short)to output(DC short)(Cut-off current:5mA); (在输入与输出之间施加 3750 VAC 60 秒钟(报警电流为 5mA 最大))</p> <p>3-2. AC 3750 V 60 sec between input(AC short) to crust(Cut-off current:5mA); (在输入与外壳之间施加 3750 VAC 60 秒钟(报警电流为 5mA 最大))</p> <p>3-3. AC 1000 V 60sec between output(DC short) to crust(Cut-off current:5mA); (在输出与外壳之间施加 1000 VAC 60 秒钟(报警电流为 5mA 最大)).</p> <p><b>4. Isolation Resistance(绝缘电阻):</b></p> <p>4-1. Input to output(输入对输出) <math>\geq 5M\Omega</math> , DC 500V(直流 500V);</p> <p>4-2. Input to crust(输入对外壳) <math>\geq 5M\Omega</math> , DC 500V(直流 500V);</p> <p><b>5.Environment(环境):</b></p> <p>working temperature of <math>-20^{\circ}C \sim 40^{\circ}C</math> , 20%~90%RH (without dew point); (工作温度<math>-20^{\circ}C \sim 40^{\circ}C</math> , 湿度 10%~95%RH (无凝露));</p> <p>Storage temperature: <math>-20^{\circ}C \sim 80^{\circ}C</math> , 10%~95%RH (without dew point); (存储温度<math>-20^{\circ}C \sim 80^{\circ}C</math> , 湿度 10%~95%RH (无凝露));</p> <p><b>6. Structure(结构):</b></p> <p>Cooling in natural way. (冷却形式为自然冷却).</p> <p><b>7. Aging Test(老化试验):</b></p> <p>The product operate continuously for four hours at a rated load. (产品在额定负载下,连续工作 4 小时.)</p>	

# LETARON® 广东擎洲光电科技股份有限公司

## Letaron Electronic Co., LTD

Address: No.253, Junma Road, Hengli Town, Dongguan City, Guangdong Province, China

地址: 广东省东莞市横沥镇骏马路 253 号

Tel: +86 769 89110666 Fax: +86 769 87060909

E.Mail: [Sales@letaron-group.com](mailto:Sales@letaron-group.com) Postcode: 523460 Website: [www.letaron-group.com](http://www.letaron-group.com)

### 8. Humidity Test(潮湿试验):

After exposed to 25±5°C, 91-95%RH for 48 hours, and then put it into normal ambient condition treated for 30 minutes.

The test result must be satisfied with item 3. & item 4.

(在温度为 25±5°C, 相对湿度为 91-95%RH 的环境中放置 48 小时后, 再在常温常湿中放置 30 分钟后, 产品仍须满足上述第 3 项和第 4 项的要求.)

### 9. Temperature Test(温度测试):(Ta=40°C MAX)

A component part temperature shall not exceed the manufacturer's maximum of the thermal rating and the maximum temperature rise not exceed 90°C.

(零部件温度不允许超过其制造商要求的最大温度值, 且最大温升不超过 90°C.)

### 10. Instruction(用法说明):

10-1. Turn off the power connection before installation.(安装前要切断电源).

10-2. Indoor use only. (仅供室内使用).

10-3. Load of the secondary shall not exceed the rated power.(负载不可超过额定功率).

10-4. Installation shall be done by qualified technician.(要有一定专业知识的人才能安装).

10-5. Make sure all the cables connected correctly before turn on the power.

(接通电源前要确定所有的电线连接正确).

10-6. Maximum ambient temperature 40°C, 最大工作环境温度 40°C

### 11. Certificate(认证):

12. Lifetime(寿命): TA≤40°C, 质保 3 年

# LETARON® 广东擎洲光电科技股份有限公司 Letaron Electronic Co., LTD

Address: No.253, Junma Road, Hengli Town, Dongguan City, Guangdong Province, China

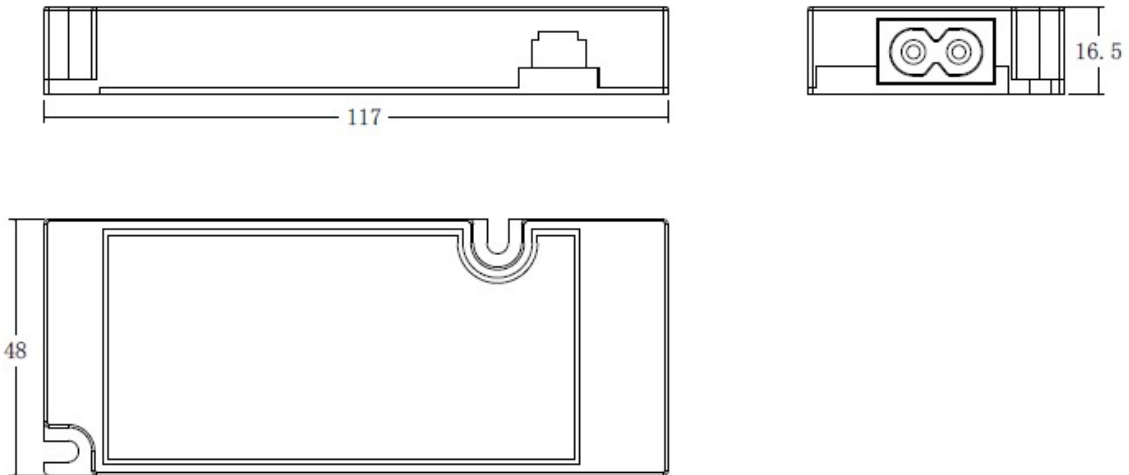
地址: 广东省东莞市横沥镇骏马路 253 号

Tel: +86 769 89110666 Fax: +86 769 87060909

E-Mail: [Sales@letaron-group.com](mailto:Sales@letaron-group.com) Postcode: 523460 Website: [www.letaron-group.com](http://www.letaron-group.com)

## 13. Externality figure and name plate (外形图及商标):

13-1: 外形尺寸 单位 (mm)



13-2 丝印图:

