

SPECIFICATION

Description	100-240V LED Driver, Constant Current Driver	
Electrical Characteristics	Ta = 25°C, 100-240Vrms input, standard reference load; unless otherwise specified	
Class II, IP65, thermally protected 110, independent driver		

Product Name	MINI700mA/4W	
---------------------	--------------	--

Input Parameters		
Rated Input Voltage	Uin	100-240Vac
Input Current (Full load)	lin	0.1A
Input Frequency	fin	50/60Hz
Maximum Input Power	Pin (W)	6.5W
Power Factor (Full load)	λ	$\geq 0.40C$
Efficiency (Full load)	η	$\geq 72\%$
No-load power		$\leq 0.5W$
Inrush current		$\leq 10.0A$
Turn on time		$\leq 500ms$

Output Parameters		
Output Voltage	Vout	2.5-6V
Output Current (Full load)	Iout	700mA $\pm 5\%$
Output Power (Full load)	Pout	4.2
Operating Frequency(Full load)	Fout	64KHZ
Ripple & Noise		$\leq 90mA$
Load Regulation		$\leq 5\%$
Line Regulation		$\leq 5\%$

Ambient		
Storage Temperature	ts	-20 ... + 70°C
Operating Ambient Temperature	ta	-20 ... + 50°C
Case Temperature at tc Point	tc	+80°C
Relative humidity		5 ... 85%

Protection		
No Load		Auto-recovery if fault is removed
Over Load		Auto-recovery if fault is removed
Short Circuit		Auto-recovery if fault is removed

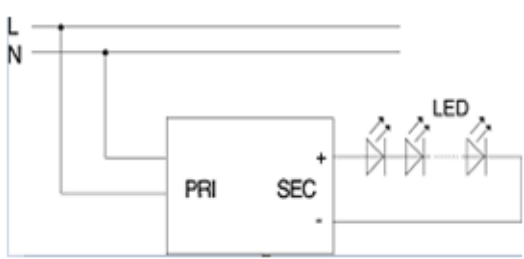
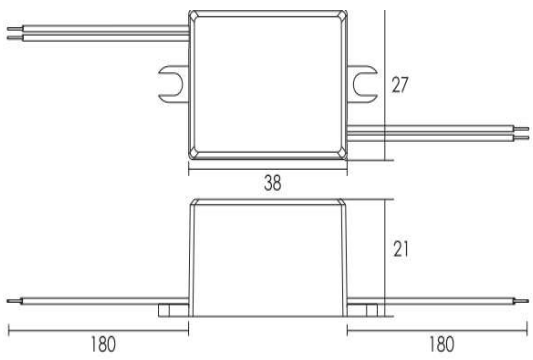
System Parameters		
Withstand voltage		3.75KVAC, Ileakage < 5.0mA, 60s
Average Service Life		30,000Hours

Compliances and approvals		
Safety		EN 61347-2-13
RFI		EN 55015
Harmonics		EN 61000-3-2 Class C
Immunity		EN 61547

Note

1. All parameters NOT specially mentioned are measured at 240VAC input, rated load and 25 of ambient temperature.
2. Ripple & noise are measured at 20MHz of bandwidth by using a 12" twisted pair-wire terminated with a 0.1uF & 47uF parallel capacitor.
3. Expected Life:tc=80°C,0.2%/1000h failure rate.

Physical Parameter



Dimensions(LxWxH): 38x27x21mm
 Housing Material:PC Plastic
 Input Wire: UL1007 18AWG(200mm ± 20)