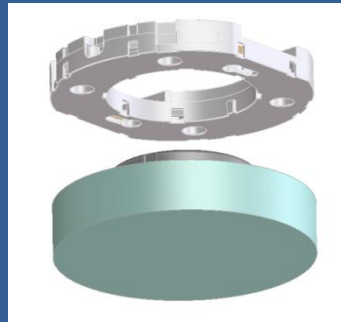




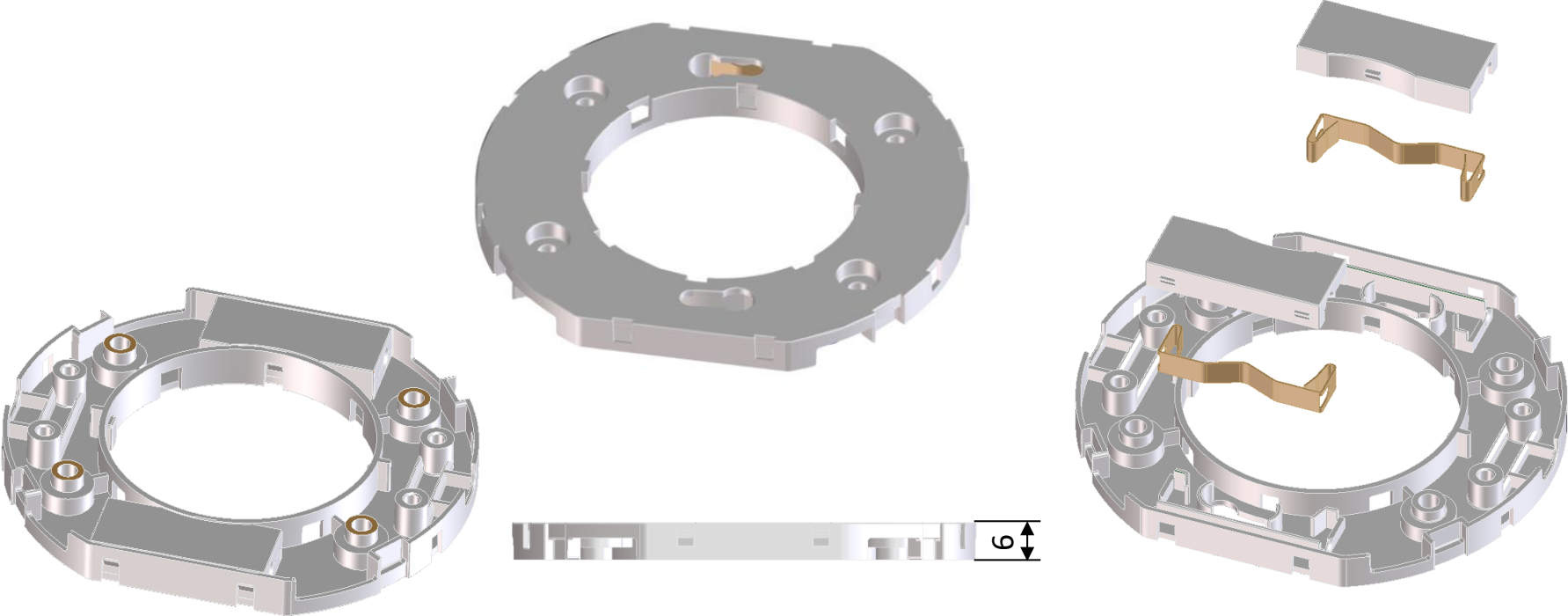
GX53

Traditionally Innovative



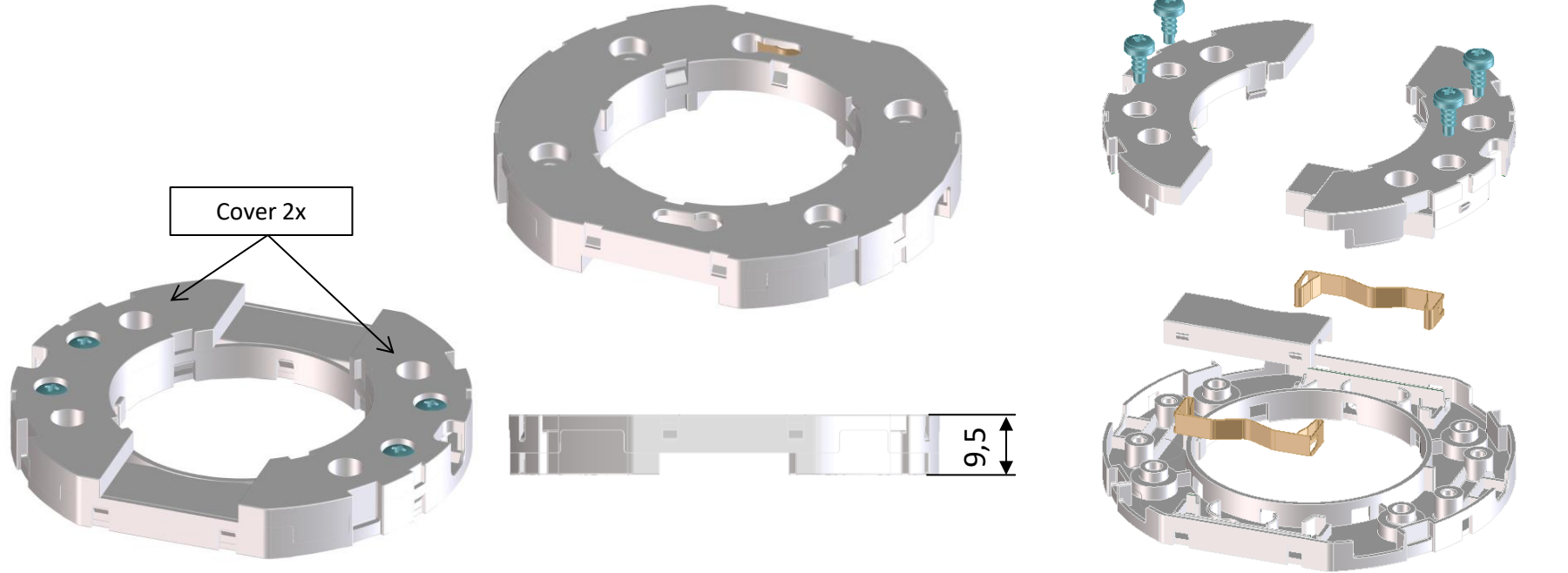
June 2021

Art. 753 : lampholder GX53 Low version (6mm)

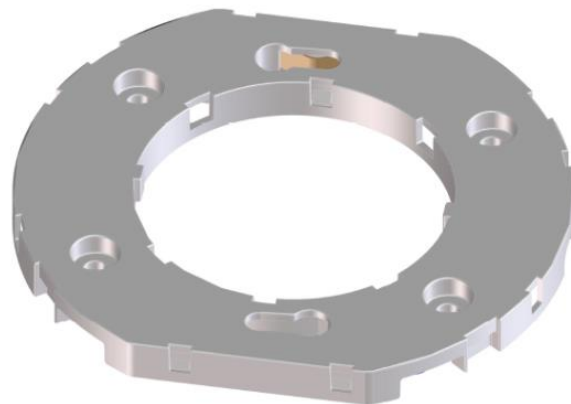
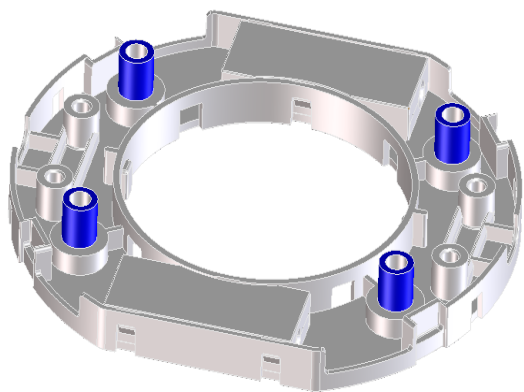


GX53 with cover for cable/retention system

(Art.753 + cover → height 9,5mm)

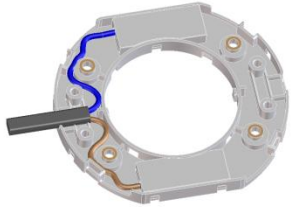


Art. 753H : lampholder GX53 high version (9,5mm)

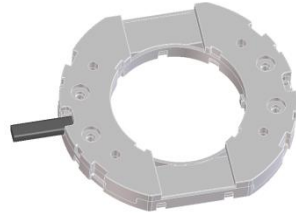


Wiring System art 753 , 753H

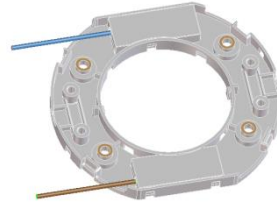
Art. 753 (cable 2x)



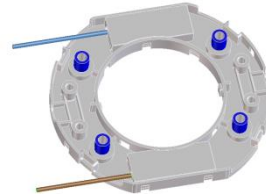
Art. 753 + cover (cable 2x)



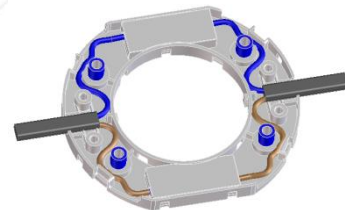
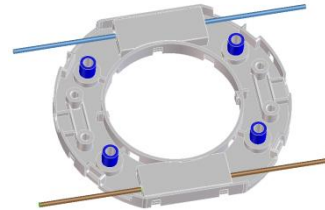
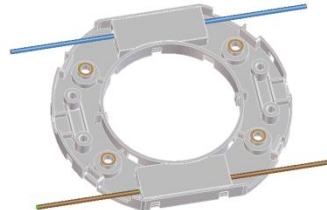
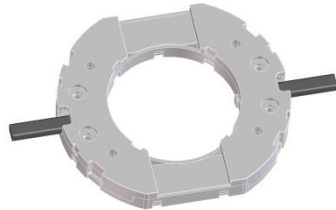
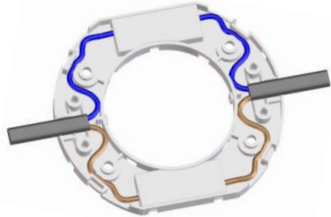
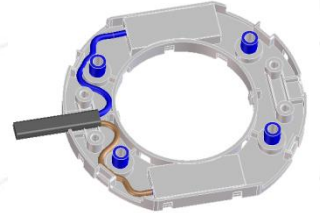
Art 753 (wire 1x)



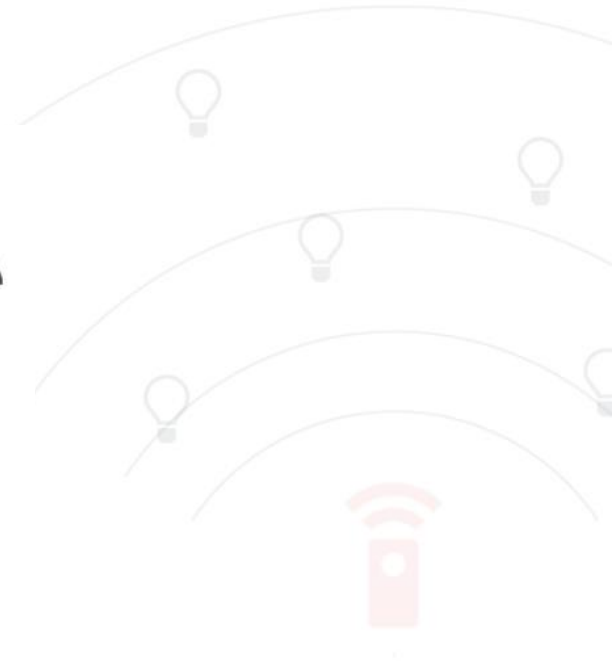
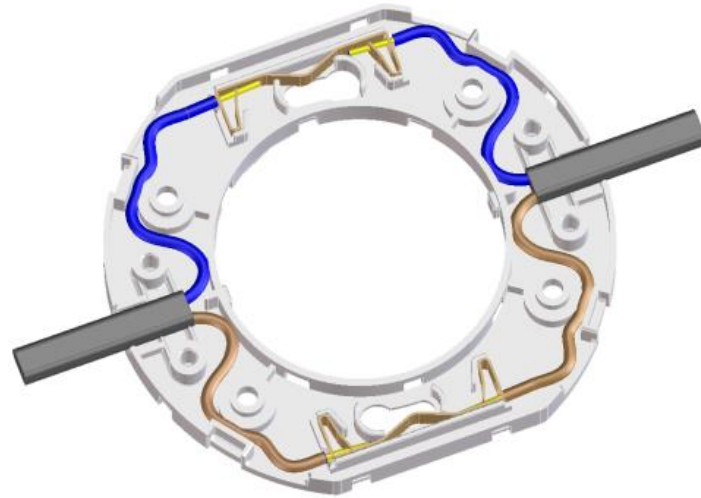
Art 753H (wire 1x)



Art 753H (cable 2x)

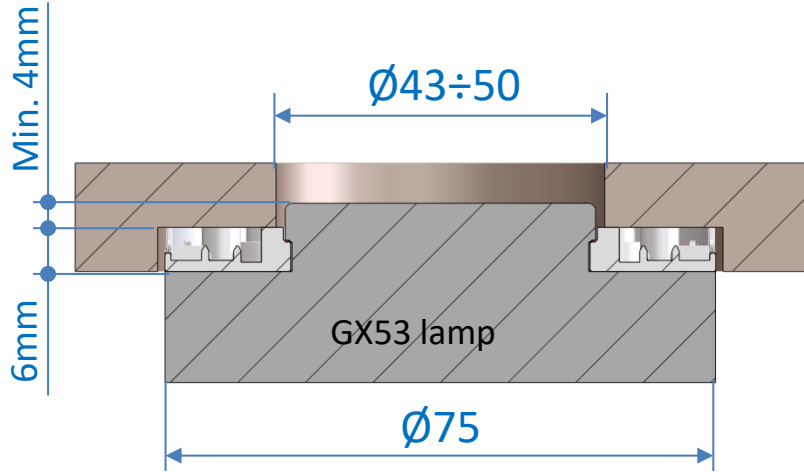


Snap-in contact



GX53 Fixing seat

Art. 753 low version
(6mm)



Art. 753H
and
Art.753 + cover
(9.5mm)

