

Sonic 100



INDEX

1 PRODUCT FEATURES

1.1 TECHNICAL DATA

1.2 DIMENSIONS

2 CONNECTIONS

3 SPEAKER FIXING

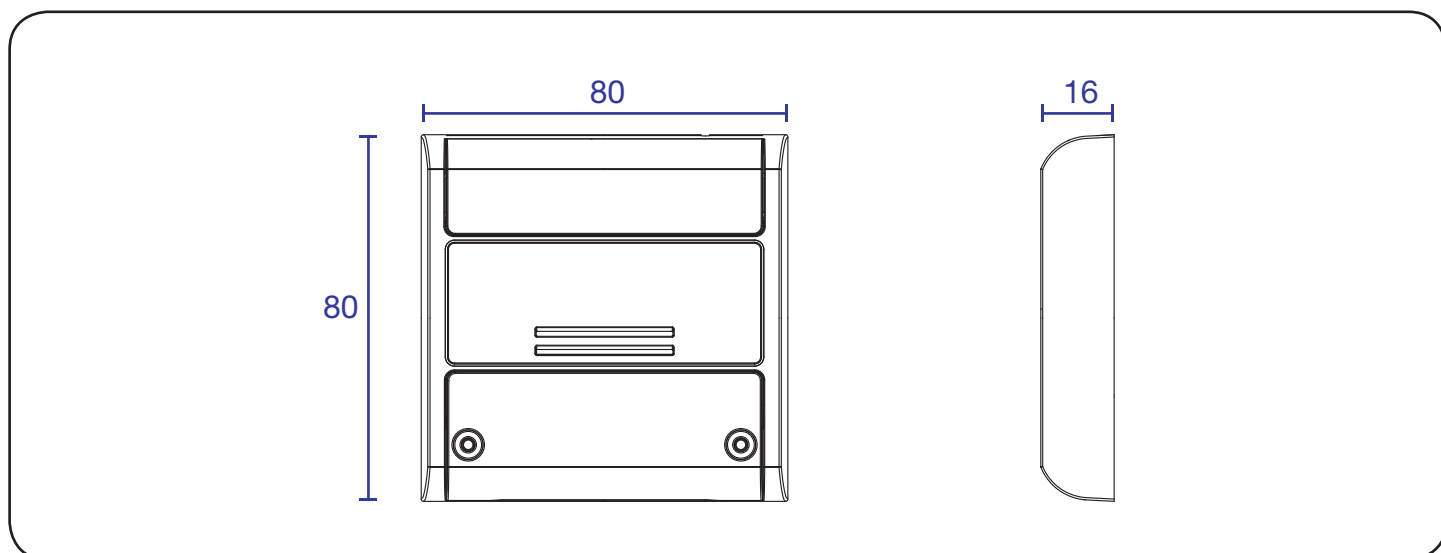
4 AUDIO PLAY

1 - PRODUCT FEATURES

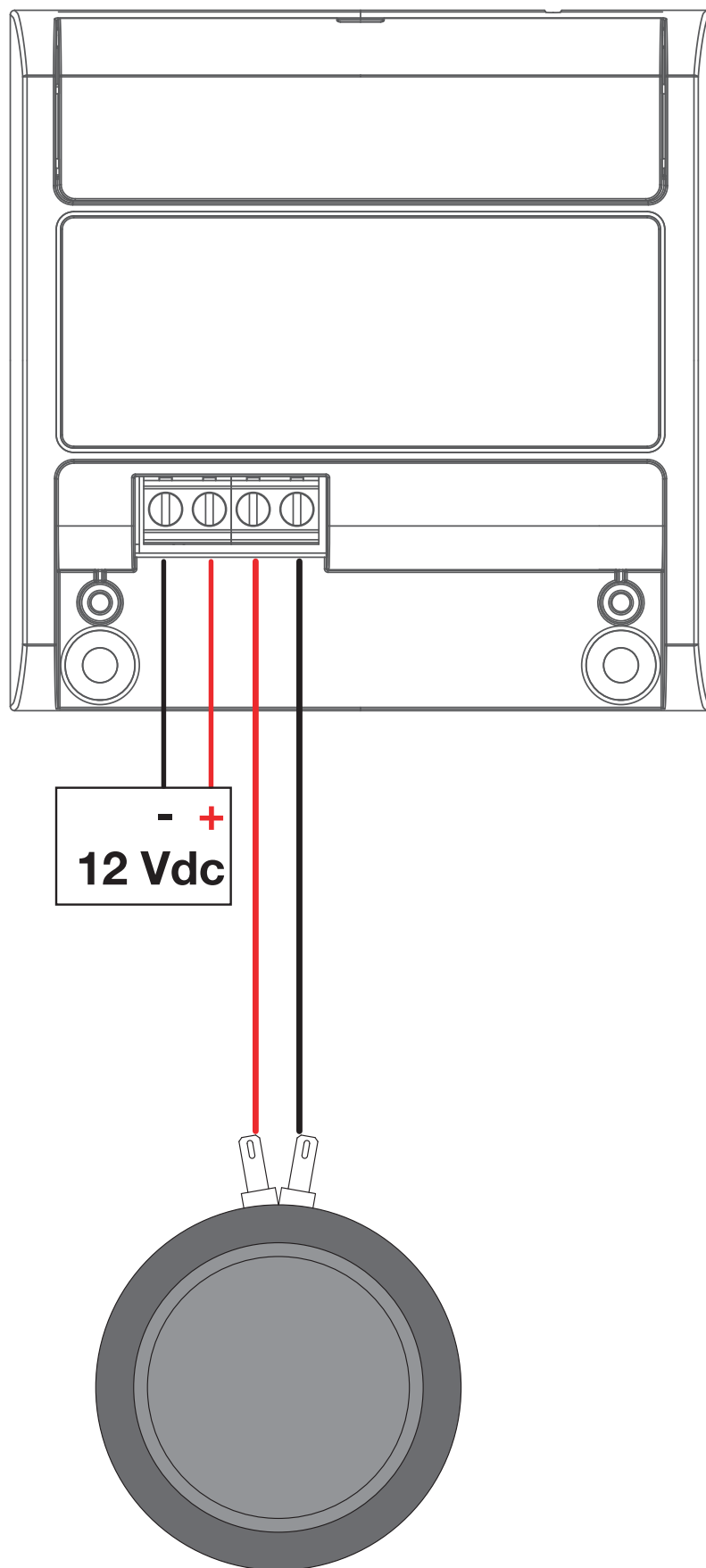
1.1 TECHNICAL DATA

Power supply	12 Vdc
Power PS	minimum15W
Output	Surface speaker
Power output	8W (4Ohm)

1.2 - DIMENSIONS



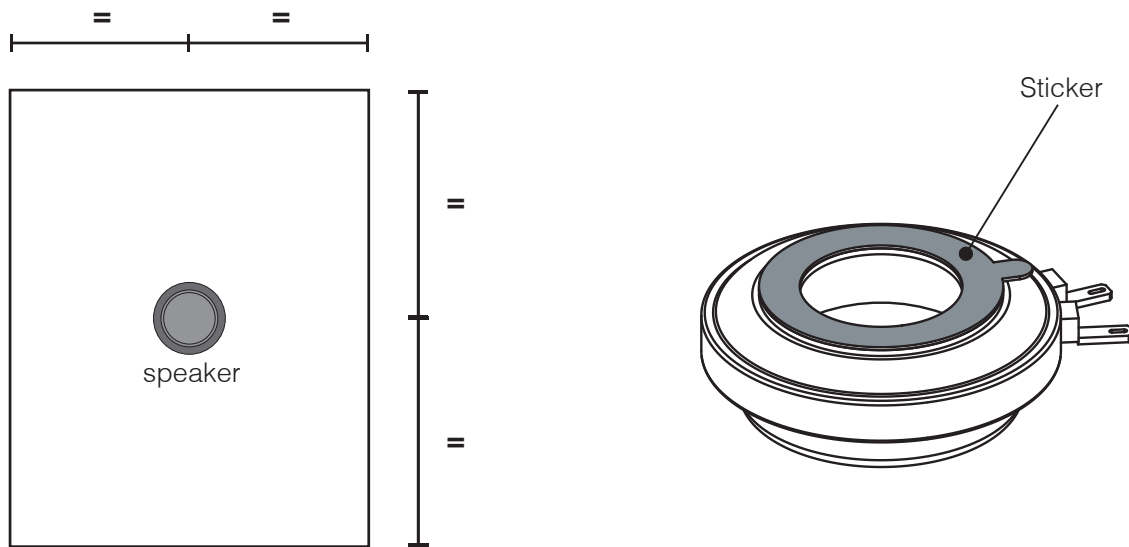
2 - CONNECTIONS



3 - SPEAKER FIXING

Warnings

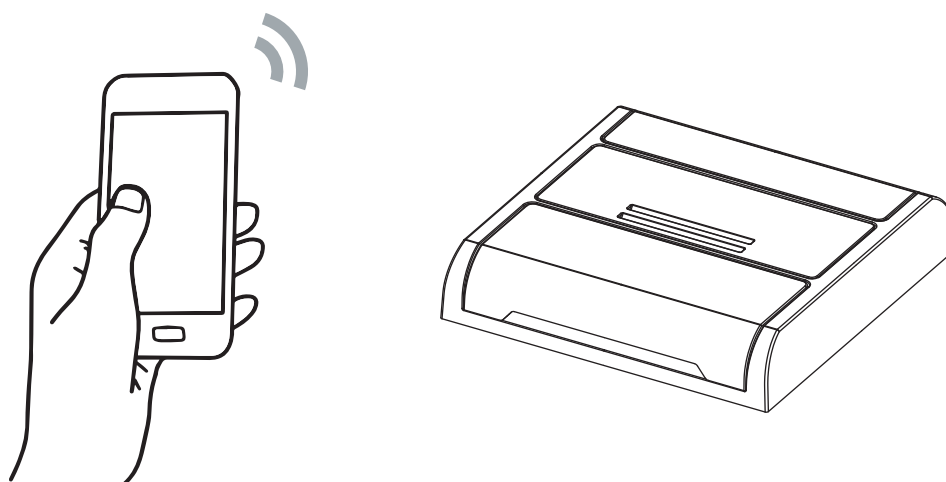
- The surface speaker is designed for being fixed on surfaces that affords the vibration for the sound transmission. To avoid therefore material like the concrete, fire-bricks, floor tiles.
- Before to proceed to the definitive implantation it is advised to test the system pressing the speaker with the hand against the surface
- The quality of the sound depends on the material on which the speaker has been fixed.



Definitive implantation:

- To clean the surface carefully
- To remove the adhesive tape and to press the speaker against the surface for some second.

4 - AUDIO PLAY



Procedure

- Activate the bluetooth connection on the device (smartphone or PC)
 - Open the page of "Device connection".
 - Connect the smartphone or the PC with the device BT SPEAKER.
- After the connection the audio will be amplified by the surface speaker

WARNINGS

- After the first connection, the device (Smartphone or PC) will be connected automatically every time it will enter in the range of the speaker.
- It's possible to connect only one by one device-speaker



MNLPLANOAUDIOV1.0

Nexta Tech

company brand of Team srl
via G.Oberdan 90, 33074
Fontanafredda (PN) - Italy
Ph. +39 0434 998682
Email: info@nexta-tech.com
Web: www.nexta-tech.com